

PART NUMBER: SES17

DESCRIPTION: sine wave

ELECTRICAL SPECIFICATIONS

output waveform	Sine Wave
output signals	A phase, A,B phase
current consumption	≤30 mA (LED: maximum 20mA)
frequency response	0~20 KHz
output phase difference	A, B phase difference 90° ± 45°
supply voltage	5 V dc ± 10%
output resolution (ppr)	100, 200, 300, (360) (single phase only)

MECHANICAL SPECIFICATIONS

max shaft load, radial:	1.9N (200gf) (2); 4.9N (500gf) (4)
axial:	1.9N (200gf) (2); 4.9N (500gf) (4)
starting torque	0.3 x 10 ⁻³ N·m (3 gf·cm)
max rotational speed	6000 RPM
shock resistance	500m/s ² (50G), 11ms, 3 times each on XYZ
vibration proof	55 Hz, 1.5mm, 2 hours each on XYZ
weight	20g (with 130mm cable)
cable	Vinyl wire (AWG28) 130mm

ENVIRONMENTAL SPECIFICATIONS

operating temp	0° to +50° C
storage temp	-20° to +80° C
humidity	90% max. non collecting

ORDERING INSTRUCTIONS

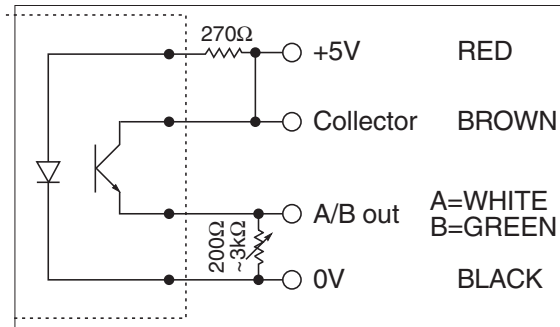
SES17(X) - XXXXX

Shaft Diameter:	Resolution (PPR):	Output Phase:
2 = 2mm shaft	100 = 100 PPR	A = Single Phase
4 = 4mm shaft	200 = 200 PPR	AB = Two-Phase
	300 = 300 PPR	
	360 = 360 PPR	

PART NUMBER: SES17

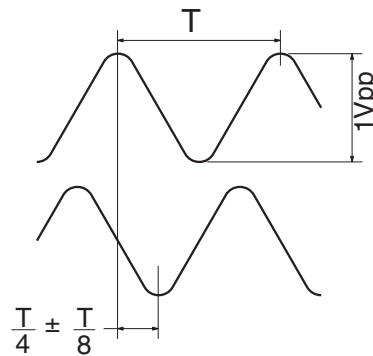
DESCRIPTION: sine wave

CIRCUIT CONNECTIONS

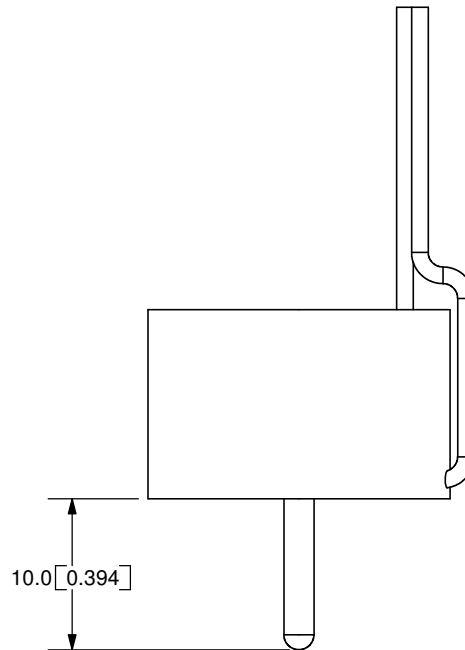
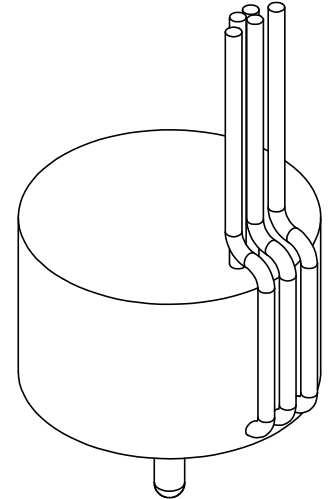
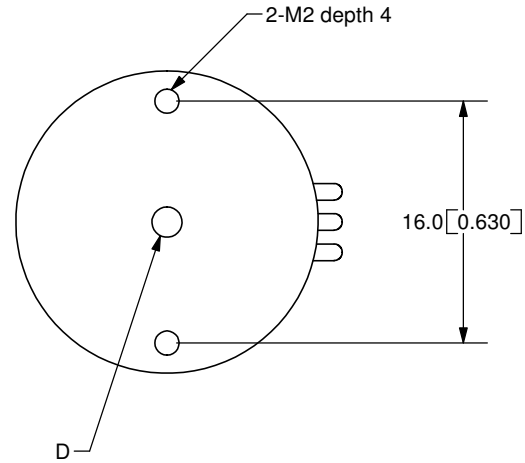
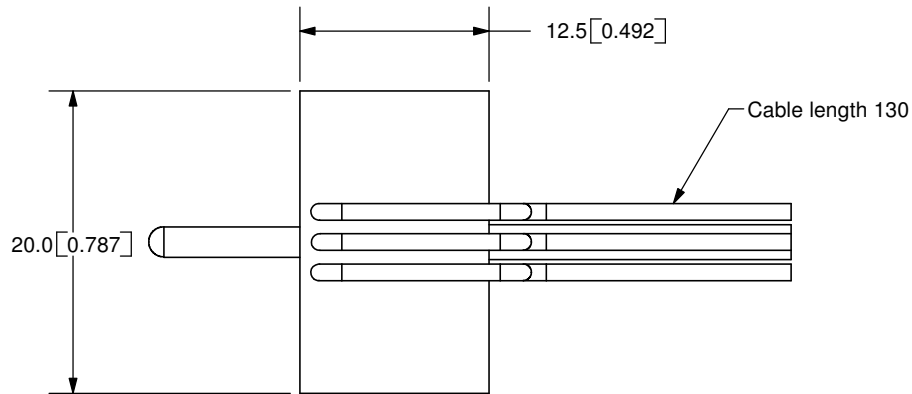


OUTPUT WAVEFORM

Clockwise rotation viewed from front



REV.	DESCRIPTION	DATE
A	NEW DRAWING	7/27/2007



TOLERANCE:
±0.3mm UNLESS OTHERWISE
SPECIFIED



20050 SW 112th Ave.
Tualatin, OR 97062
Phone: 503-612-2300
800-275-4899
Fax: 503-612-2383
Website: www.cui.com

TITLE: Incremental Encoder		REV: A
PART NO. SES 17 shaft	UNITS: MM [INCHES]	
DRAWN BY: JMS	APPROVED BY:	SCALE: 2:1

PC FILE NAME:
SES 17 shaft

COPYRIGHT 2007
BY CUI INC.

Cable Color	Red	Brown	White	Green	Black	-	-	-
Output Type	Anode	Collector	Emitter A	Emitter B	Cathode	-	-	-

D	∅2 ^{+0.01} _{-0.015}
D	∅4 ^{+0.01} _{-0.015}