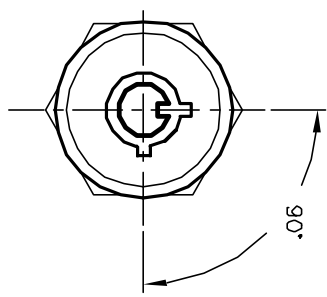
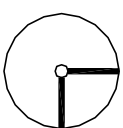
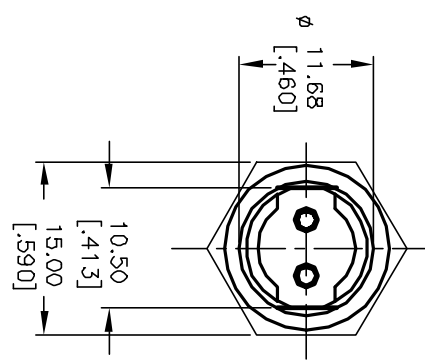
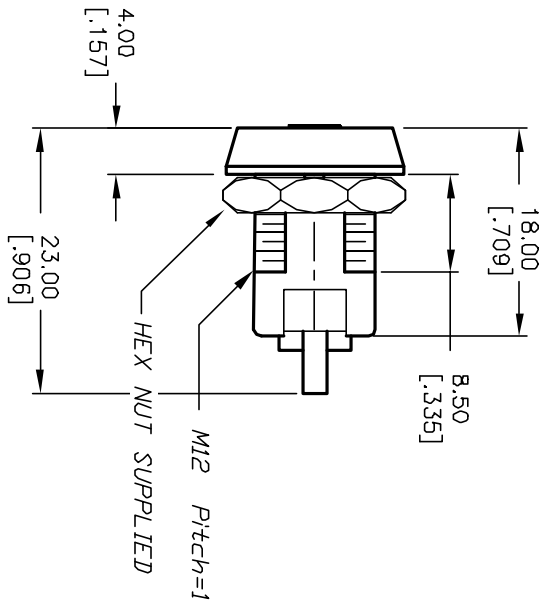


POS 1



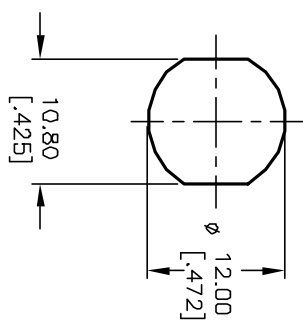
POS 2



CIRCUIT: SPST  
CONTACT CONFIGURATION

SWITCH FUNCTION	
POS 1	POS 2
↶	↷
DNF	DN

LEGEND  
 ○ = OFF POSITION  
 ■ = INDICATES KEY PULL



RECOMMENDED PANEL CUTOUT

NOTES:

1. ALL DIMENSIONS IN MM [INCH]
2. GENERAL TOLERANCE: X.X=±0.4  
X.XX=±0.25
3. TERM. NOS. FOR REFERENCE ONLY.
4. RATING: 1A @125VAC, 0.5A @250VAC
5. CONTACT RESISTANCE: 10mILLI-OHMS
6. DIELECTRIC STRENGTH: 1000 VAC-1Minute
7. INSULATION RESISTANCE: 200 Mega-OHMS min.
8. MATERIALS:

HOUSING: ZINC ALLOY DIE CAST  
 CYLINDER: ZINC ALLOY W/CHROME PLATING  
 TERMINAL AND CONTACTS: SILVER PLATED  
 KEYS (2) KEY CODE 1001: TUBULAR  
 ZINC ALLOY, CHROME PLATING

REV.	ECN No.	DESCRIPTION	DATE	CHKD
A	11746	RELEASED FOR PRODUCTION	10/16/01	CJB

THE INFORMATION CONTAINED IN THIS DOCUMENT IS PROPRIETARY TO E-SWITCH AND IS NOT TO BE COPIED OR TRANSFERRED

TITLE	SCALE	DATE	DR	DWG	REV
KD105A-1001	1.5:1	10/16/01	CJB	K100301	A

