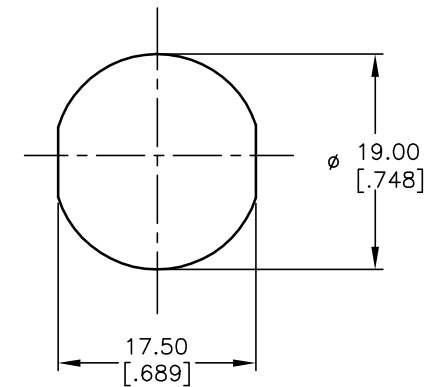
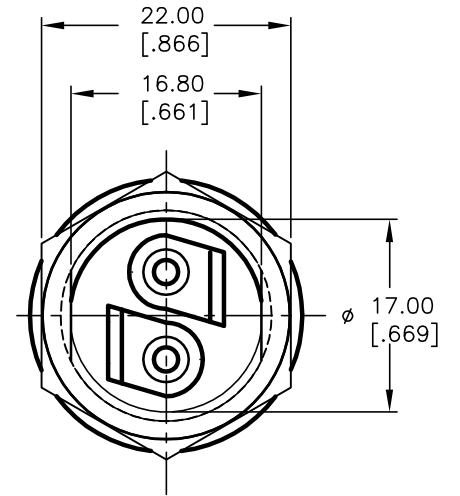
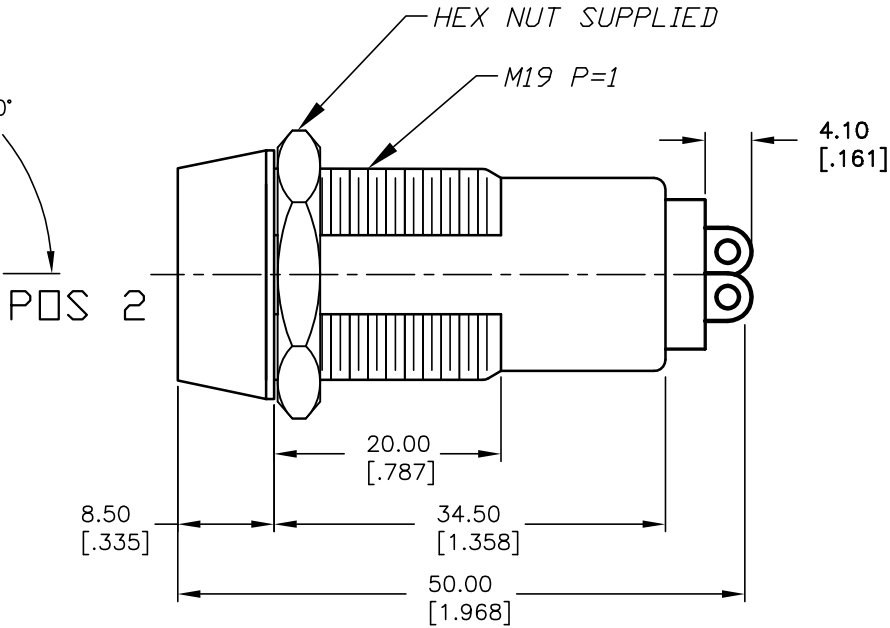
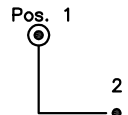


SODDERLUG DETAIL
SCALE 2X



RECOMMENDED PANEL CUTOUT



CIRCUIT: SPST
CONTACT CONFIGURATION

| SWITCH FUNCTION | |
|-----------------|-------|
| POS 1 | POS 2 |
| ↑ | → |
| OFF | ON |

LEGEND

- = INDICATE NO KEY PULL
- ⊙ = INDICATES KEY PULL POSSIBLE

NOTES:

1. ALL DIMENSIONS IN MM [INCH]
2. GENERAL TOLERANCE: X.X=±0.4
X.XX=±0.25
3. TERM. NOS. FOR REFERENCE ONLY.
4. RATING: 4A @125VAC, 2A @250VAC
5. CONTACT RESISTANCE: 10mILLI-OHMS
6. DIELECTRIC STRENGTH: 1500 VAC-1Minute
7. INSULATION RESISTANCE: 500 Mega-OHMS
8. MATERIALS:

HOUSING: ZINC ALLOY DIE CAST
CYLINDER: ZINC ALLOY W/CHROME PLATING
TERMINAL AND CONTACTS: SILVER PLATED
TUMBLER: 5 DISC MECHANISM W/DUST SHUTTER
KEYS 7311 (2): BRASS W/NICKEL PLATING
DOUBLE CUT REVERSIBLE

E-SWITCH®

| | | | | | | | | | |
|-------|---------|----|---------|-----|-------------|---------|----|---------|-----|
| TITLE | | | | | K0119A-7311 | | | | |
| SCALE | DATE | DR | DWG | REV | SCALE | DATE | DR | DWG | REV |
| 1.5:1 | 6/10/04 | AR | K200141 | A | 1.5:1 | 6/10/04 | AR | K200141 | A |

| | | | | |
|------|---------|-------------------------|---------|------|
| A | 14089 | RELEASED FOR PRODUCTION | 6/10/04 | AR |
| REV. | ECN No. | DESCRIPTION | DATE | CHKD |

THE INFORMATION CONTAINED IN THIS DOCUMENT IS PROPRIETARY TO E-SWITCH AND IS NOT TO BE COPIED OR TRANSFERRED