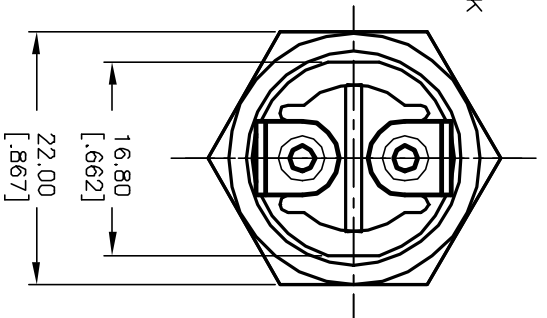
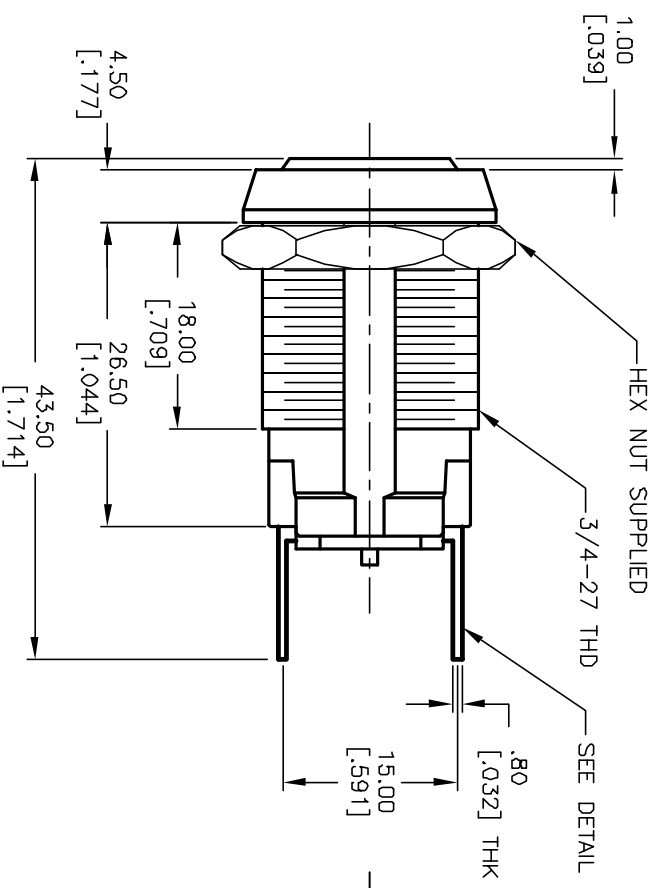
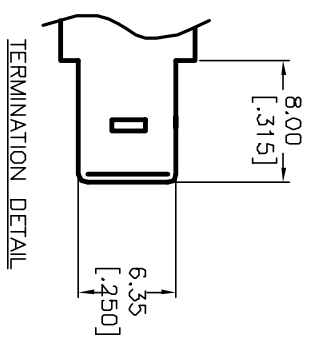
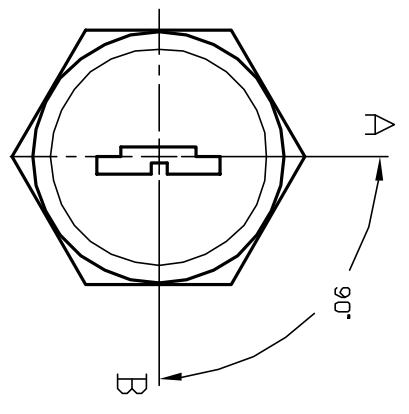


MENTIONARY

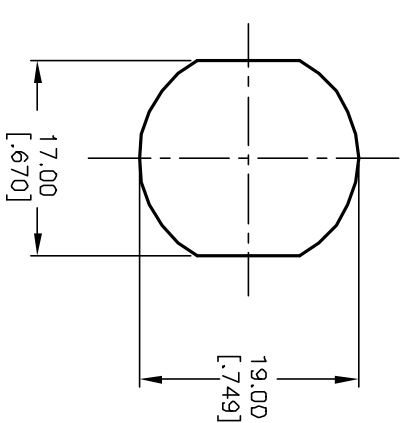
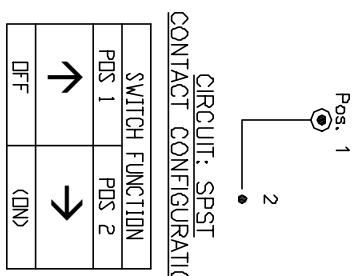


NOTES:

1. ALL DIMENSIONS IN MM [INCH]
2. GENERAL TOLERANCE: X.X=±0.4  
X.XX=±0.25
3. TERM. NOS. FOR REFERENCE ONLY.
4. RATING: 4A @125VAC, 2A @250VAC
5. CONTACT RESISTANCE: 10mILLI-OHMS
6. DIELECTRIC STRENGTH: 1500 VAC-1Minute
7. INSULATION RESISTANCE: 200 Mega-OHMS
8. MATERIALS:

HOUSING: ZINC ALLOY DIE CAST  
 CYLINDER: ZINC ALLOY W/CHROME PLATE  
 CONTACTS: SILVER PLATE  
 CRSS CROSS TUMBLERS. (11 BLADE)  
 DOUBLE BITTED KEYS (2) STAMPED 2007

LEGEND  
 ● = INDICATE NO KEY PULL  
 ⊙ = INDICATES KEY PULL POSSIBLE  
 ( ) = MENTIONARY



**E-SWITCH®**

|      |         |                         |          |      |
|------|---------|-------------------------|----------|------|
| B    | 12872   | REMOVE TERM /NOTE 8     | 3/4/03   | CJB  |
| A    | 11754   | RELEASED FOR PRODUCTION | 10/17/01 | CJB  |
| REV. | ECN No. | DESCRIPTION             | DATE     | CHKD |

|             |  |       |          |     |         |     |
|-------------|--|-------|----------|-----|---------|-----|
| TITLE       |  | SCALE | DATE     | DR  | DWG     | REV |
| K0128H-2007 |  | 1.5:1 | 10/17/01 | CJB | K200206 | B   |

THE INFORMATION CONTAINED IN THIS DOCUMENT IS PROPRIETARY TO E-SWITCH AND IS NOT TO BE COPIED OR TRANSFERRED