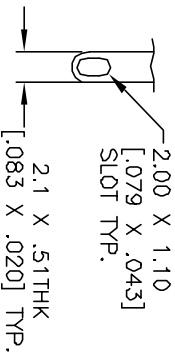
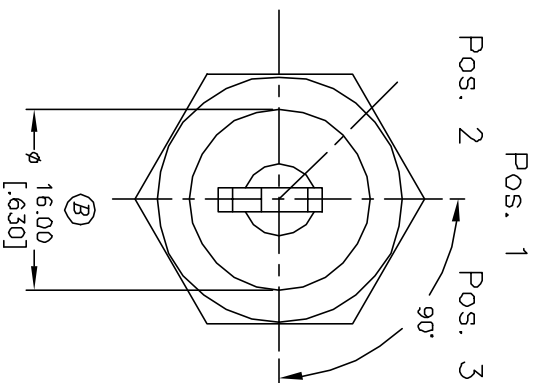


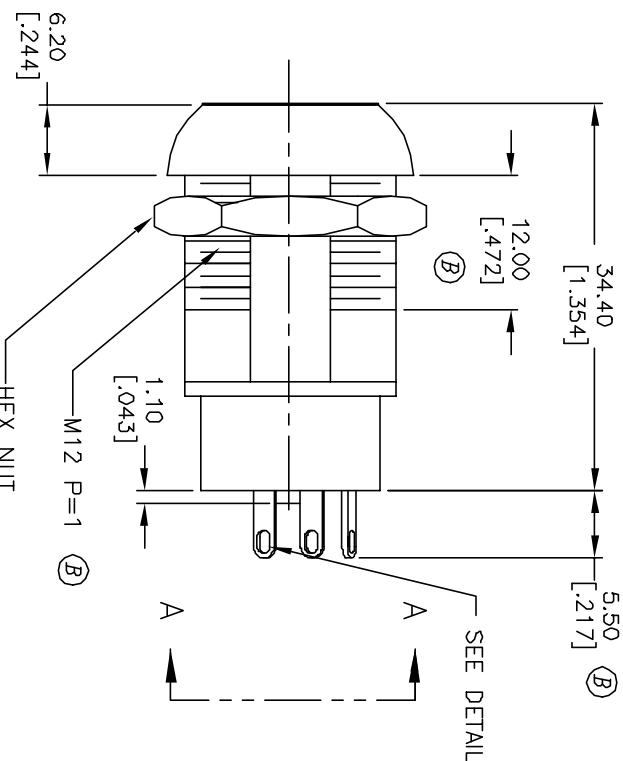
RECOMMENDED PANEL LAYOUT



TERMINAL DETAIL  
SCALE 2X



Pos. 1 Ref.

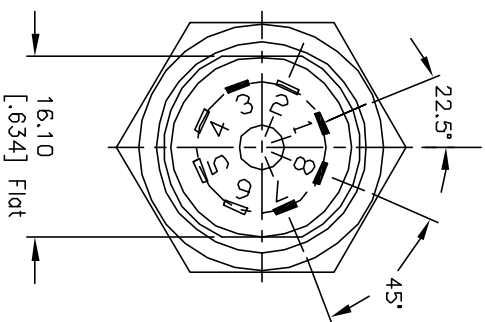


SEE DETAIL

NOTES:

1. ALL DIMENSIONS IN MM [INCH]
2. GENERAL TOLERANCE: X.X=±0.4  
X.XX=±0.25
3. TERM. NOS. FOR REF. ONLY
4. CONTACT RATING: 4A @125VAC/28VDC, 2A @250VAC
5. DIELECTRIC STRENGTH: 1KV RMS min. at sea level
6. ELECTRICAL LIFE: 10,000 make-and-break cycles at full load.
7. MATERIALS:

CONTACTS: Silver Plated CU (Q Contact material)  
 TERMINALS: Silver Plated Cu (Q Contact material)  
 MOUNTING NUT: Nickel Plated zinc alloy  
 CONTACT SPRING: Piano Wire  
 KEYS: (QTY. 2) Brass with code no. A126  
 LOCK: Bright Ni plated zinc alloy with Ni facing  
 TUMBLER Mechanism: 4-disc tumbler cylinder.

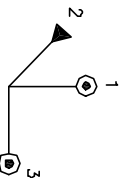


LEGEND

- =Detent Positions (45°)
- ⊙ =Key pull possible in these positions
- ▲ =MOMENTARY POS.

SWITCH FUNCTION		
CONNECTED TERMINAL #	POS. 1	POS. 2
POS. 1	POS. 2	POS. 3
8-1	8-7	1-3

CIRCUIT: SP (45°/90 INDEXING)  
 CONTACT CONFIGURATION



**E-SWITCH®**

K0129A-A126

REV.	ECN NO.	DESCRIPTION	DATE	CHKD
B	11566	REVISED	7/13/01	CJB

TITLE	SCALE	DATE	DR	DWG	REV
	1:1.5	7/13/01	CB	K200207	B

THE INFORMATION CONTAINED IN THIS DOCUMENT IS PROPRIETARY TO E-SWITCH AND IS NOT TO BE COPIED OR TRANSMITTED