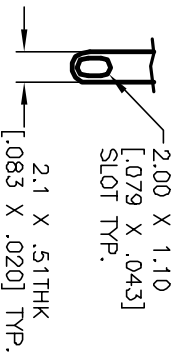
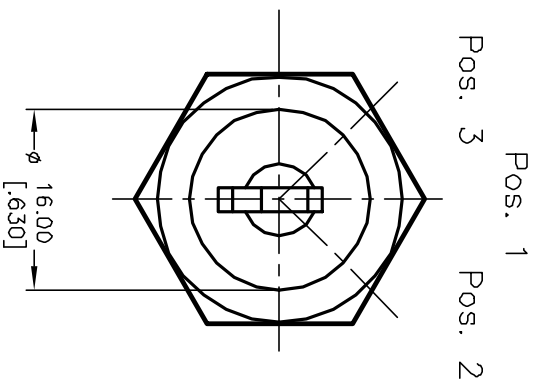


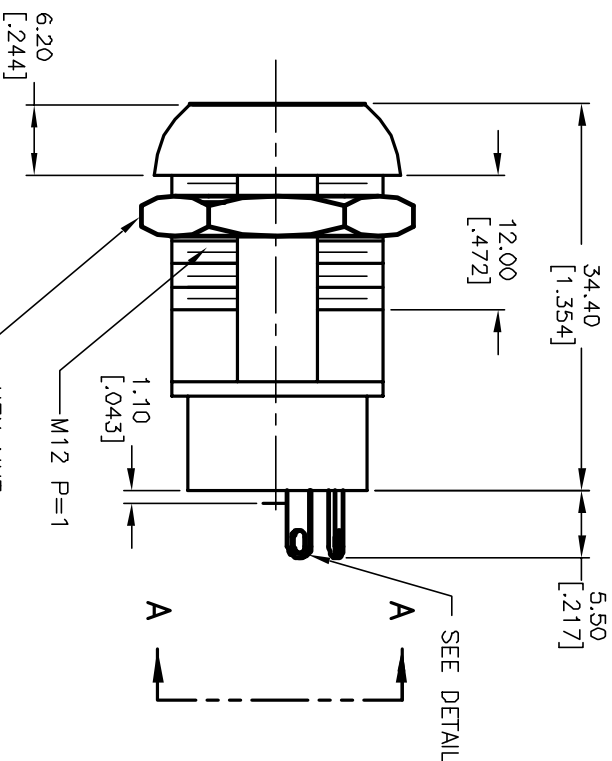
RECOMMENDED PANEL LAYOUT



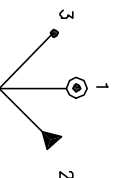
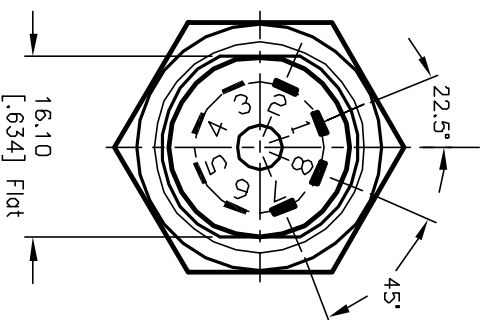
TERMINAL DETAIL  
SCALE 2X



Pos. 1 Ref.



SEE DETAIL



CIRCUIT: DP (45° INDEXING)  
CONTACT CONFIGURATION

SWITCH FUNCTION			
CONNECTED TERMINAL #	POS. 1	POS. 2	POS. 3
	8-1,4-5	1-2,5-6	8-7,3-4

LEGEND

- =Detent Positions (45°)
- ⊙ =Key pull possible in these positions
- ▲ =MOMENTARY POS.

- NOTES:
1. ALL DIMENSIONS IN MM [INCH]
  2. GENERAL TOLERANCE: X.X=±0.4  
X.XX=±0.25
  3. TERM. NOS. FOR REF. ONLY
  4. CONTACT RATING: 4A @125VAC/28VDC, 2A @250VAC
  5. DIELECTRIC STRENGTH: 1KV RMS min. at sea level
  6. ELECTRICAL LIFE: 10,000 make-and-break cycles at full load.
  7. MATERIALS:  
CONTACTS: Silver Plated CU (Q Contact material)  
TERMINALS: Silver Plated Cu (Q Contact material)  
MOUNTING NUT: Nickel Plated zinc alloy  
CONTACT SPRING: Piano Wire  
KEYS: (QTY. 2) Brass with code no. A126  
LOCK: Bright Ni plated zinc alloy with Ni facing  
TUMBLER Mechanism: 4-disc tumbler cylinder.

A	11566	RELEASED FOR PRODUCTION	7/12/01	CJB
REV.	ECN NO.	DESCRIPTION	DATE	CHKD

TITLE		SCALE	DATE	DR	DWG	REV
K0129K-A126		1:1	7/12/01	CB	K200315	A



THE INFORMATION CONTAINED IN THIS DOCUMENT IS PROPRIETARY TO E-SWITCH AND IS NOT TO BE COPIED OR TRANSMITTED