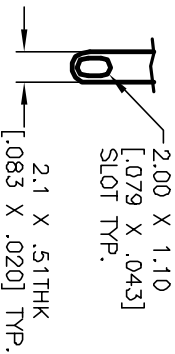
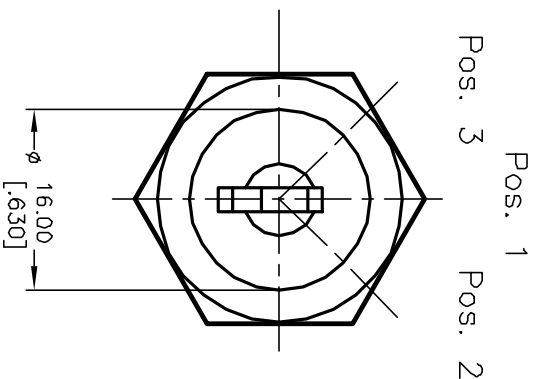


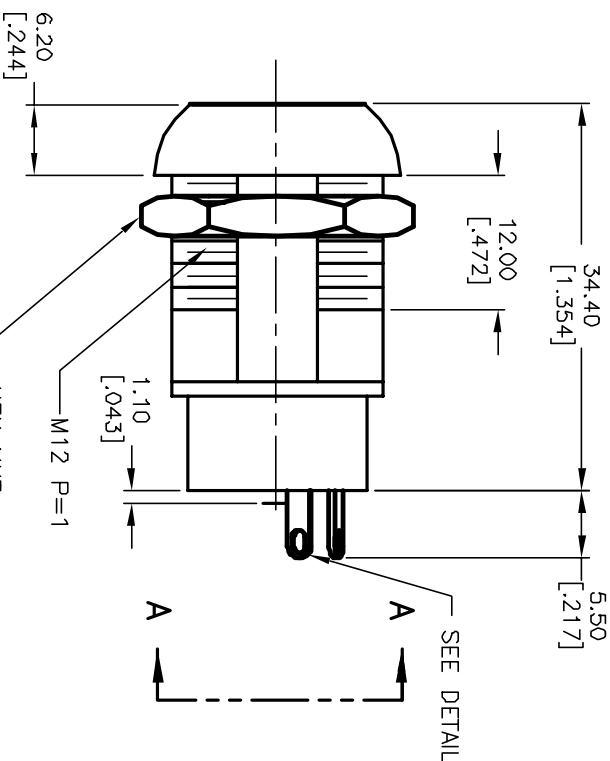
RECOMMENDED PANEL LAYOUT



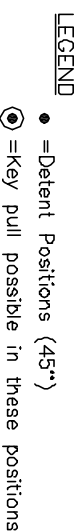
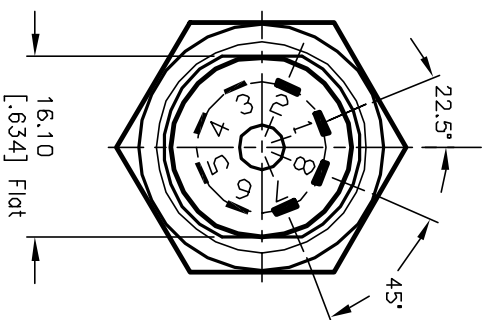
TERMINAL DETAIL
SCALE 2X



Pos. 1 Ref.

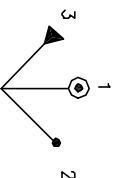


SEE DETAIL



SWITCH FUNCTION		
CONNECTED TERMINAL #	POS. 1	POS. 2
8-1,4-5	1-2,5-6	8-7,3-4

CIRCUIT: DP (45° INDEXING)
CONTACT CONFIGURATION



- NOTES:
1. ALL DIMENSIONS IN MM [INCH]
 2. GENERAL TOLERANCE: X.X=±0.4
X.XX=±0.25
 3. TERM. NOS. FOR REF. ONLY
 4. CONTACT RATING: 4A @125VAC/28VDC, 2A @250VAC
 5. DIELECTRIC STRENGTH: 1KV RMS min. at sea level
 6. ELECTRICAL LIFE: 10,000 make-and-break cycles at full load.
 7. MATERIALS:
CONTACTS: Silver Plated CU (Q Contact material)
TERMINALS: Silver Plated Cu (Q Contact material)
MOUNTING NUT: Nickel Plated zinc alloy
CONTACT SPRING: Piano Wire
KEYS: (QTY. 2) Brass with code no. A126
LOCK: Bright Ni plated zinc alloy with Ni facing
TUMBLER Mechanism: 4-disc tumbler cylinder.

REV.	ECN NO.	DESCRIPTION	DATE	CHKD
A	11566	RELEASED FOR PRODUCTION	7/12/01	CJB

TITLE	SCALE	DATE	DR	DWG	REV
K0129M-A126	1:1	7/12/01	CB	K200317	A

E-SWITCH®

THE INFORMATION CONTAINED IN THIS DOCUMENT IS PROPRIETARY TO E-SWITCH AND IS NOT TO BE COPIED OR TRANSMITTED