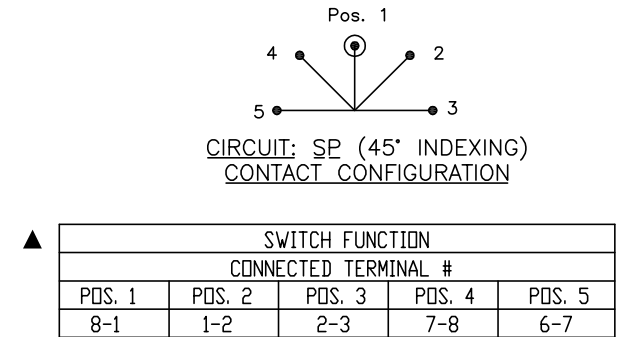
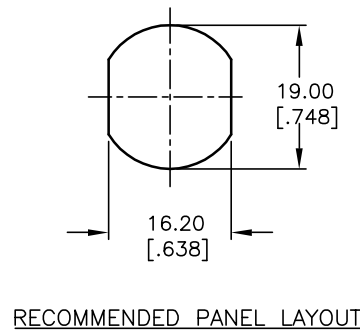


NOTES:

1. ALL DIMENSIONS IN MM [INCH]
2. GENERAL TOLERANCE: X.X=±0.4  
X.XX=±0.25
3. TERM. NOS. FOR REF. ONLY
4. CONTACT RATING: 4A @125VAC/28VDC, 2A @250VAC
5. CONTACT RESISTANCE: Below 10 milliohms
6. DIELECTRIC STRENGTH: 1KV RMS min. at sea level
7. ELECTRICAL LIFE: 10,000 make-and-break cycles at full load.
8. MATERIALS:  
 CONTACTS: Silver Plated CU (Q Contact material)  
 TERMINALS: GOLD FLASH Over Silver (Q Contact material)  
 MOUNTING NUT: Nickel Plated zinc alloy  
 CONTACT SPRING: Piano Wire
9. ▲ KEYS: (2 Keys) Brass with code no. A126  
 ▲ DENOTES CRITICAL PARAMETER.



LEGEND  
 ● =Detent Positions (45°)  
 ⊙ =Key pull possible in these positions

**E-SWITCH®**

TITLE					KO130K (KEY CODE NO. A126)									
SCALE	1:1		DATE	9/18/03		DR	AR		DWG	K200220		REV	A	

THE INFORMATION CONTAINED IN THIS DOCUMENT IS PROPRIETARY TO E-SWITCH AND IS NOT TO BE COPIED OR TRANSFERRED