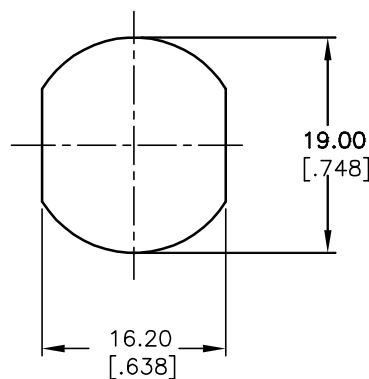
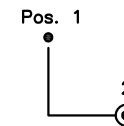


NOTES:

1. ALL DIMENSIONS IN MM [INCH]
2. GENERAL TOLERANCE: X.X=±0.4  
X.XX=±0.25
3. TERM. NOS. FOR REF. ONLY
4. CONTACT RATING: 4A @125VAC/28VDC, 2A @250VAC
5. DIELECTRIC STRENGTH: 1KV RMS min. at sea level
6. ELECTRICAL LIFE: 10,000 make-and-break cycles at full load.
7. MATERIALS:  
 CONTACTS: Silver Plated CU (Q Contact material)  
 TERMINALS: GOLD Plated Cu (Q Contact material)  
 MOUNTING NUT: Nickel Plated zinc alloy  
 CONTACT SPRING: Piano Wire  
 KEYS (2): Brass with code no. 607  
 LOCK: Bright NI plated zinc alloy with NI facing  
 TUMBLER Mechanism: 4-disc tumbler cylinder.



RECOMMENDED PANEL LAYOUT



CIRCUIT: DP (90° INDEXING)  
CONTACT CONFIGURATION

SWITCH FUNCTION	
CONNECTED TERMINAL #	
POS. 1	POS. 2
8-1, 4-5	1-3, 5-7

LEGEND

- =Detent Positions (45° or 90°)
- ⊙ =Key pull possible in these positions

**E-SWITCH®**

TITLE K0130Q-607

A	13580	RELEASED FOR PRODUCTION	11/6/03	AR
REV.	ECN No.	DESCRIPTION	DATE	CHKD

THE INFORMATION CONTAINED IN THIS DOCUMENT IS PROPRIETARY TO E-SWITCH AND IS NOT TO BE COPIED OR TRANSFERRED

SCALE	1.5:1	DATE	11/6/03	DR	AR	DWG	K200257	REV	A
-------	-------	------	---------	----	----	-----	---------	-----	---