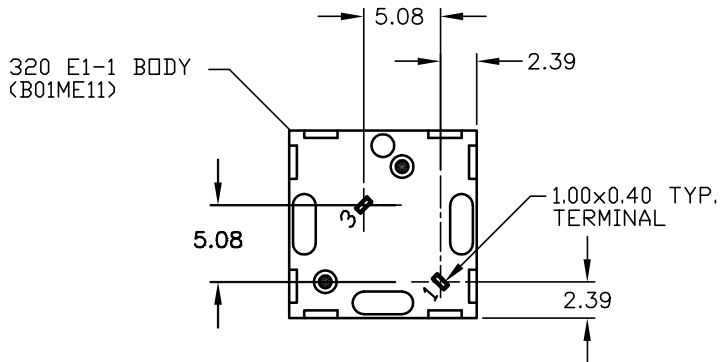
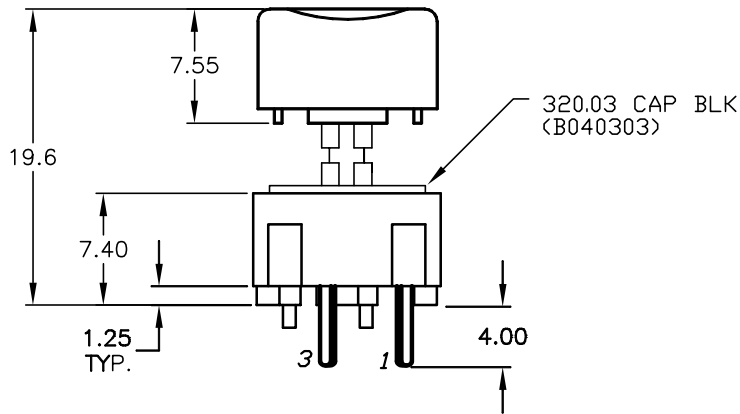
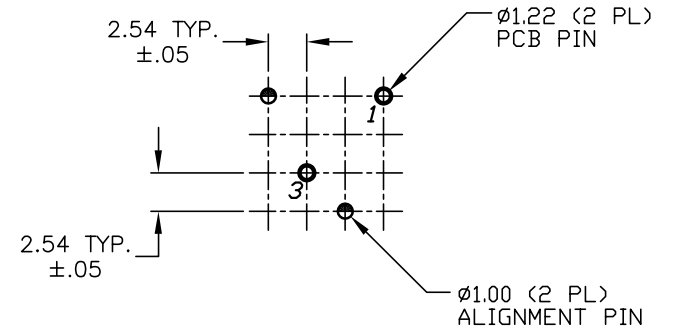


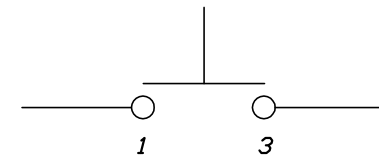
SHOWN CAP REMOVED



TOP VIEW -SHOW ORIENTATION OF LEGENDS  
IN RESPECT TO THE PCB PIN TERMINALS.



RECOMMENDED P.C.B. LAYOUT



CIRCUIT: SPST  
CONTACT CONFIGURATION

- NOTES:
1. ALL DIMINIONS IN MM
  2. GENERAL TOLERANCE: X.X=±0.4  
X.XX=±0.25
  3. TERMINAL NO'S FOR REFERENCE ONLY.
  4. RATING: 25mA, @50VDC
  5. OPERATING FORCE: 120gF
  6. TRAVEL TO MAKE: 0.7mm

**E-SWITCH®**

A	13686	RELEASED FOR PRODUCTION	1/8/04	AR
REV.	ECN No.	DESCRIPTION	DATE	CHKD

TITLE				
320.03 E1-1 .094 BLK				
SCALE	DATE	DR	DWG	REV
2:1	1/8/04	AR	XB0905P	A

THE INFORMATION CONTAINED IN THIS DOCUMENT  
IS PROPRIETARY TO E-SWITCH AND IS  
NOT TO BE COPIED OR TRANSFERRED