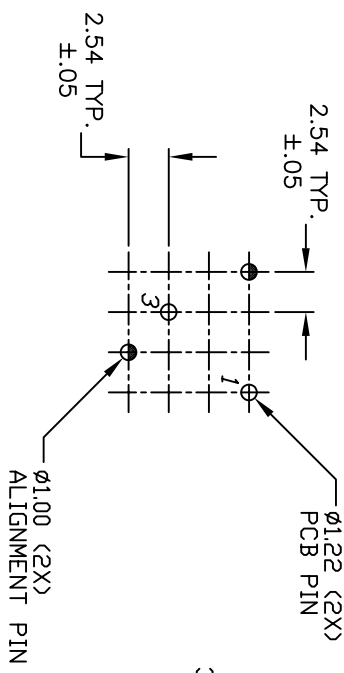
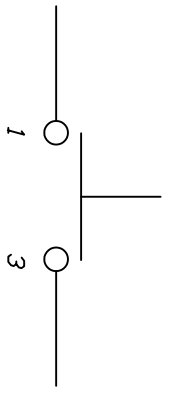
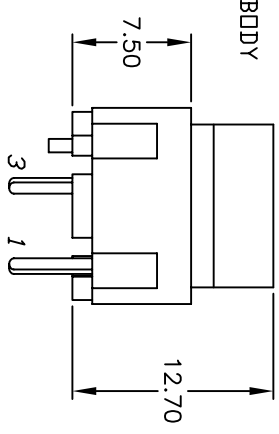
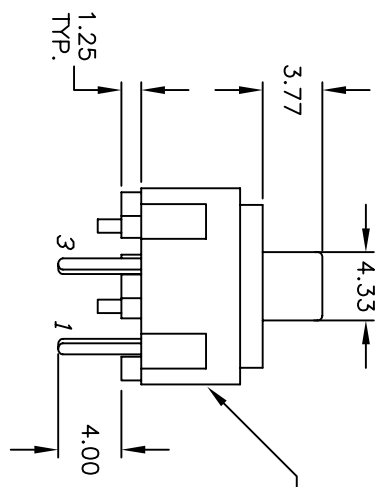
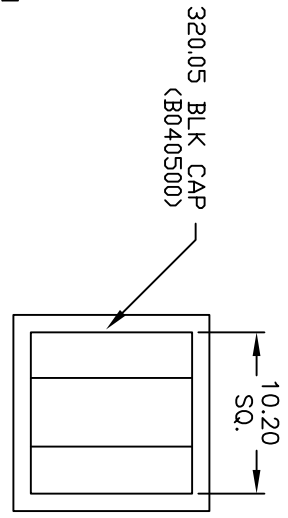


TOP VIEW -SHOW ORIENTATION OF LEGENDS  
IN RESPECT TO THE PCB PIN TERMINALS.

DWG NO.	CAP DESCRIPTION ITEM NO.]
<SHOWN>	32005 E1-1 BLK [B0405001
XB0485P	32005 E1-1 WHT [B0405011



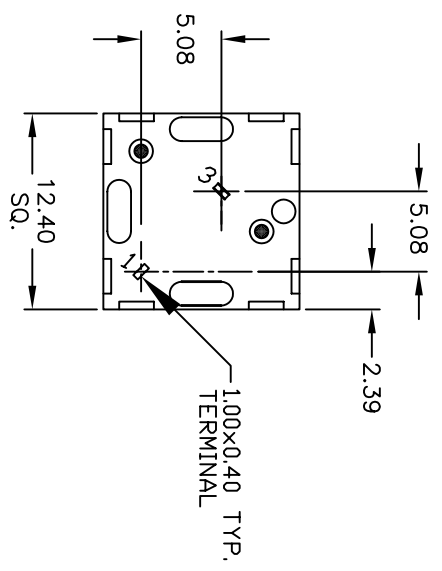
RECOMMENDED P.C.B. LAYOUT



CIRCUIT: SPST  
CONTACT CONFIGURATION

NOTES:

1. ALL DIMENSIONS IN MM
2. GENERAL TOLERANCE: X.X=±0.4  
X.XX=±0.25
3. TERMINAL NO'S FOR REFERENCE ONLY.
4. RATING: 25mA, @50VDC
5. OPERATING FORCE: 120gf
6. TRAVEL TO MAKE: 0.7mm



REV.	ECN NO.	RELEASED FOR PRODUCTION	DESCRIPTION	DATE	CHKD
A	11746			10/16/01	CJB

TITLE		SCALE	DATE	DR	DWG	REV
320.05 E1-1 BLK		2:1	10/16/01	CB	XB0015P	A

THE INFORMATION CONTAINED IN THIS DOCUMENT IS PROPRIETARY TO E-SWITCH AND IS NOT TO BE COPIED OR TRANSFERRED