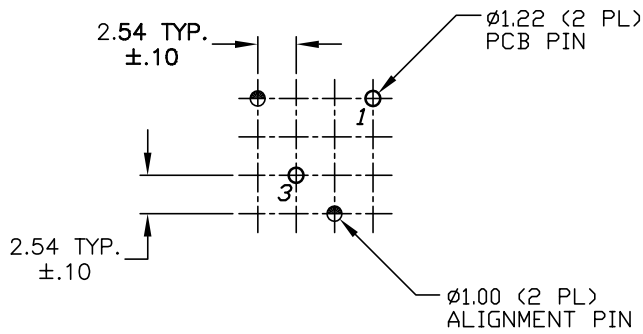
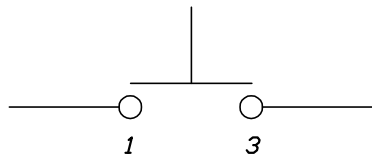
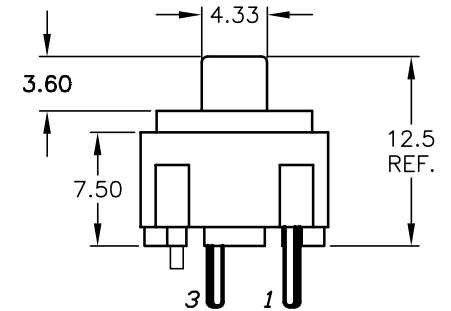
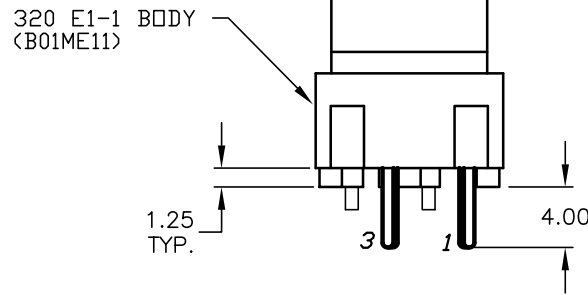
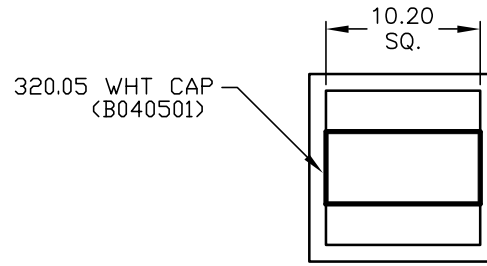


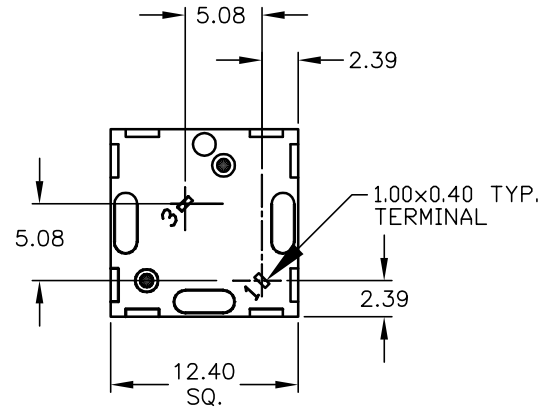
TOP VIEW -SHOW ORIENTATION OF LEGENDS
IN RESPECT TO THE PCB PIN TERMINALS.



RECOMMENDED P.C.B. LAYOUT



CIRCUIT: SPST
CONTACT CONFIGURATION



NOTES:

1. ALL DIMINSIONS IN MM
2. GENERAL TOLERANCE: X.X=±0.4
X.XX=±0.25
3. TERMINAL NO'S FOR REFERENCE ONLY.
4. RATING: 25mA, @50VDC
5. OPERATING FORCE: 120gF
6. TRAVEL TO MAKE: 0.7mm
7. USES CONTACT DOME:
320E11 CONTACT DOME [B050001]

E-SWITCH®

| | | | | | | | |
|-------|----------|----|---------|---------------------------|--|--|--|
| TITLE | | | | 320.05E11WHT (HORIZONTAL) | | | |
| SCALE | DATE | DR | DWG | REV | | | |
| 2:1 | 10/16/03 | AR | XB0485A | A | | | |

| | | | | |
|------|---------|-------------------------|----------|------|
| A | 13540 | RELEASED FOR PRODUCTION | 10/16/03 | AR |
| REV. | ECN No. | DESCRIPTION | DATE | CHKD |

THE INFORMATION CONTAINED IN THIS DOCUMENT IS PROPRIETARY TO E-SWITCH AND IS NOT TO BE COPIED OR TRANSFERRED