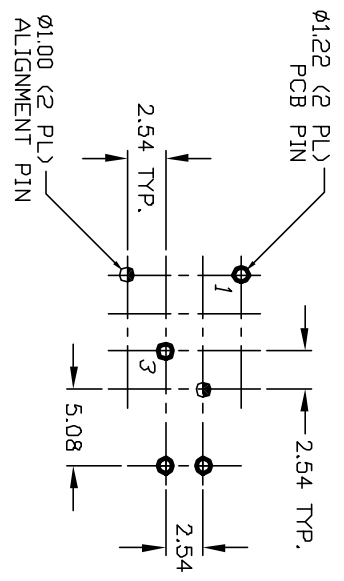
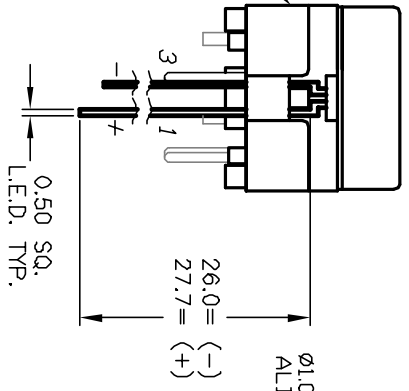
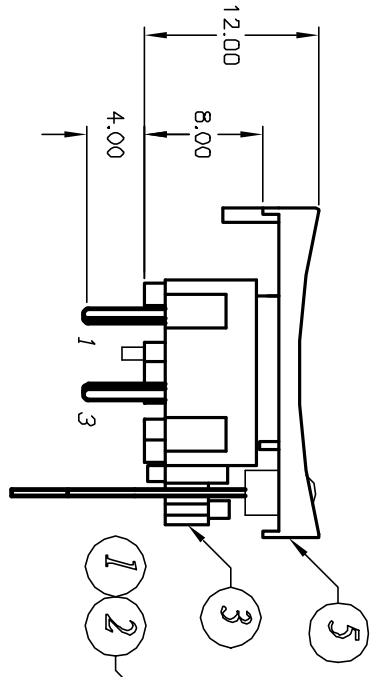
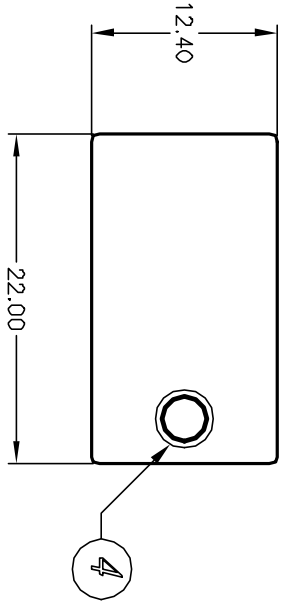
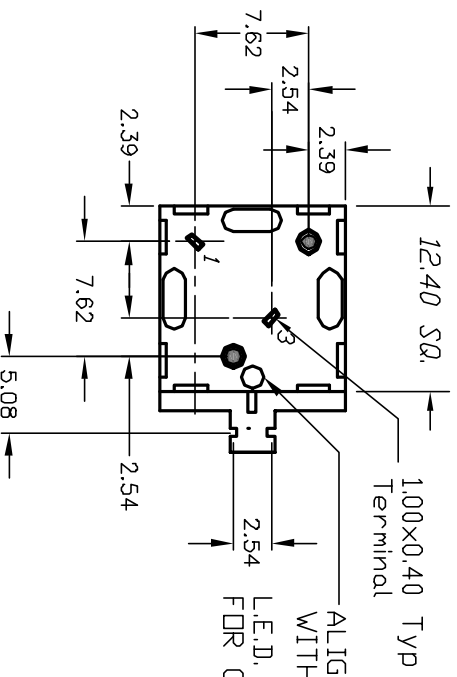


Item	Qty.	Dwg. No.	Part No.
1	1	B01ME11	320 E1-1 BODY
2	1	B050001	320 E1-1 CONTACT
3	1	B070001	320.2 LED HOLDER
4	1	D062008	YEL L.E.D.
5	1	B042002	320.2 CAP GRY



RECOMMENDED P.C.B. LAYOUT

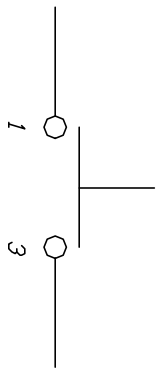


12.40 SQ.
1.00x0.40 TYP Terminal
ALIGN LED HOLDER WITH STUD
L.E.D. SHOWN REMOVED FOR CLARITY

NOTES:

1. ALL DIMENSIONS IN MM
2. GENERAL TOLERANCE: X.X=±0.4
X.XX=±0.25
3. TERM. NOS. FOR REF. ONLY
4. CONTACT RATING: 25mA/50V DC.
5. TRAVEL: 0.7mm
6. OPERATING FORCE: 120gf.
7. LED SPECIFICATION
- 8: LED SHIPPED BULK

CIRCUIT: SPST



FORWARD VOLTAGE: $V_f = 2.0V$



B	12550	ADD BULK TO NOTES/DESC.	1/30/03	CB
A	12550	RELEASED FOR PRODUCTION	1/28/03	CB
REV.	ECN No.	DESCRIPTION	DATE	CHKD

TITLE	320.2 E1-1 GRY (W/YEL LED) -BULK
SCALE	2:1
DATE	--
DR	--
DWG	XB07984
REV	B

THE INFORMATION CONTAINED IN THIS DOCUMENT IS PROPRIETARY TO E-SWITCH AND IS NOT TO BE COPIED OR TRANSMITTED