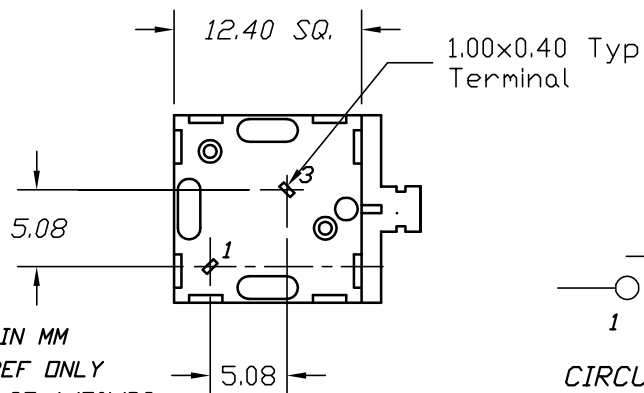
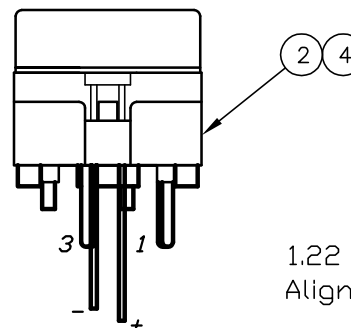
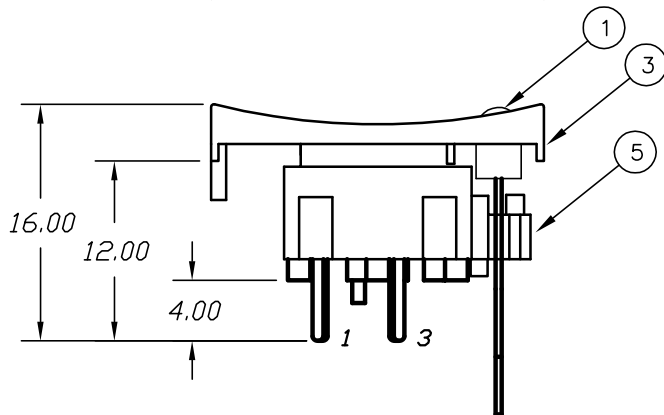
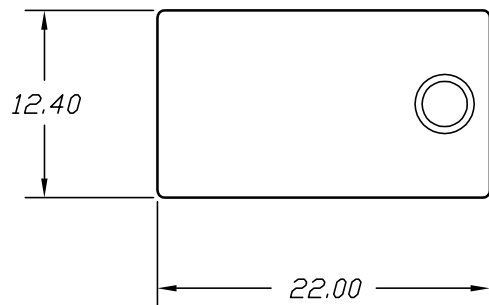
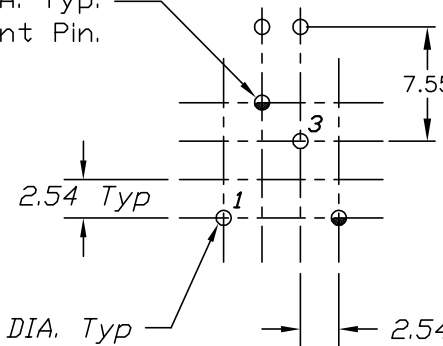


Item	Qty.	Dwg. No.	Part No.
1	1	D062004	RED LED
2	1	B01ME11	320 E1-1 BODY
3	1	B042001	320.2 CAP WHT
4	1	B050001	320 E1-1 CONTACT DOME
5	1	B070001	320.2 LED HOLDER



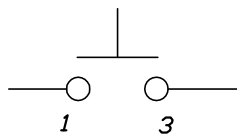
1.22 DIA. Typ.
Alignment Pin.



RECOMMEND P.C.B LAYOUT

NOTES:

1. ALL DIMENSIONS IN MM
2. TERM. NOS. FOR REF ONLY
3. CONTACT RATING: 25mA/50VDC
4. TRAVEL: .7mm (.028")
5. OPERATING FORCE: 120gf



CIRCUIT: SPST
CONTACT CONFIGURATION

E-SWITCH®

TITLE
320.2E11WHTREDLED

A	14424	RELEASED FOR PRODUCTION	10/25/04	AR
REV.	ECN No.	DESCRIPTION	DATE	CHKD

THE INFORMATION CONTAINED IN THIS DOCUMENT IS PROPRIETARY TO E-SWITCH AND IS NOT TO BE COPIED OR TRANSFERRED

SCALE	DATE	DR	DWG	REV
2:1	10/25/04	AR	XB0909A	A