



# MICRO SWITCH

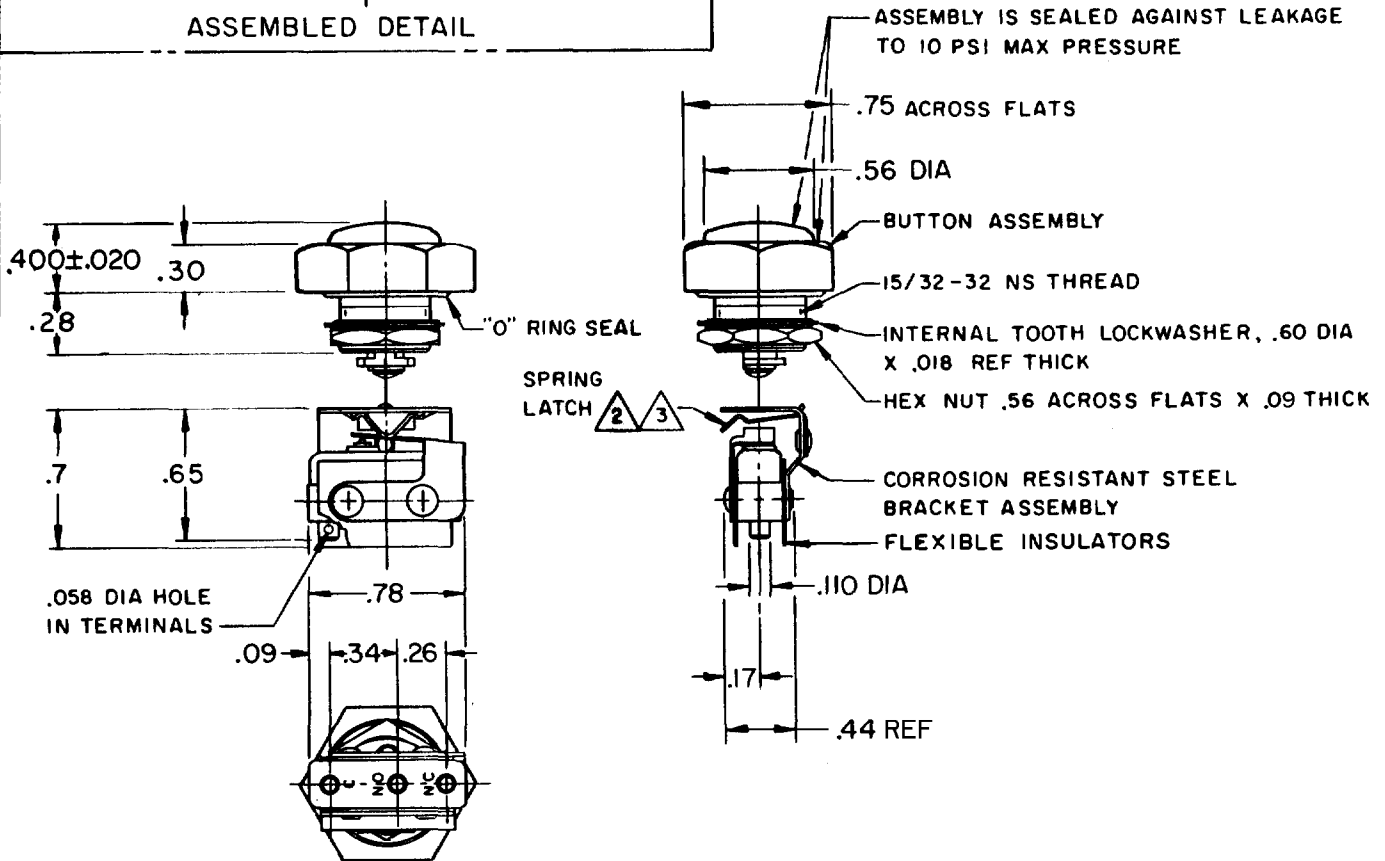
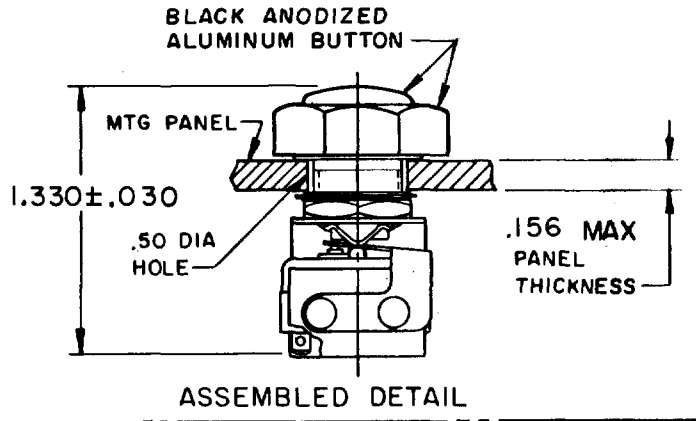
FREEPORT, ILLINOIS, U.S.A.  
A DIVISION OF HONEYWELL

FED. MFG. CODE 91929

# ASSEMBLY - PUSHBUTTON SWITCH

CATALOG LISTING

## IPB 4



### NOTES

- 1 - UNIT INCLUDES CATALOG LISTING "ISM" TYPE BASIC SWITCH
- 2 - SPRING LATCH PERMITS ASSEMBLY AND DISASSEMBLY AS REQUIRED
- 3 - "D" SHAPED HOLE IN SPRING LATCH PREVENTS ROTATION BETWEEN THE TWO PARTS
- 4 - ASSEMBLY IS COMPLETED AFTER INSTALLING BUTTON TO PANEL
- 5 - TERMINALS ARE PLATED FOR SOLDERING

THIS DRAWING COVERS A PROPRIETARY ITEM AND IS THE PROPERTY OF MICRO SWITCH, A DIVISION OF HONEYWELL. THIS DRAWING IS NOT TO BE COPIED OR USED WITHOUT THE APPROVAL OF MICRO SWITCH.

### CHARACTERISTICS

OPERATING FORCE --- 3 LB APPROX  
6 LB MAX

PLUNGER TRAVEL --- .031 APPROX

### ELECTRICAL DATA

CONTACT ARRANGEMENT  
S P D T

250 VAC --- 5 AMP

30 VOLTS DC RATING

INDUCTIVE --- SEA LEVEL --- 3 AMP  
50,000 FT --- 2.5 AMP

RESISTIVE --- SEA LEVEL --- 5 AMP  
50,000 FT --- 5 AMP

MAXIMUM INRUSH --- 24 AMP

### SCALE FULL

DO NOT SCALE PRINT

UNLESS OTHERWISE NOTED

DIMENSIONS ARE IN INCHES

**TOLERANCES ARE:**

ONE PLACE (.0) ± .030  
TWO PLACE (.00) ± .015  
THREE PLACE (.000) ± .005  
ANGLES ±

WEIGHT .04 LB

FORMTEK  
FO-50378

DRAWN

M B F 5 APRIL 65

CHECK

LSD 2 APR 65

CHECK

ISSUE 10

DRAWING NUMBER

M

REPLACES

RELEASE NO.

IPB 4

PAGE 1 OF 1

REVISIONS

A	00	19743
M B F	5	APRIL 65
B	00	20470
M B F	2	SEP 65
C	00	95143
D L T	14	JUL 99