



MICRO SWITCH

FREEPORT, ILLINOIS, U.S.A.
A DIVISION OF HONEYWELL

FED. MFG. CODE 91929

ASSEMBLY- PUSHBUTTON SWITCH

CATALOG LISTING

IPB42

IPB42

PAGE 1 OF 1

M

DRAWING
NUMBER

ISSUE

8

REVISIONS

A	CO19743	M B F	30 MAR 65
B	CO 20470	M B F	2 SEP 65
C	CO95143	DLT	14 JUL 99

CHECK

LSQ

LSQ

LSQ

LSQ

LSQ

LSQ

LSQ

LSQ

LSQ

LSQ

LSQ

LSQ

LSQ

LSQ

LSQ

LSQ

LSQ

LSQ

LSQ

LSQ

LSQ

LSQ

LSQ

REPLACES

RELEASE NO.

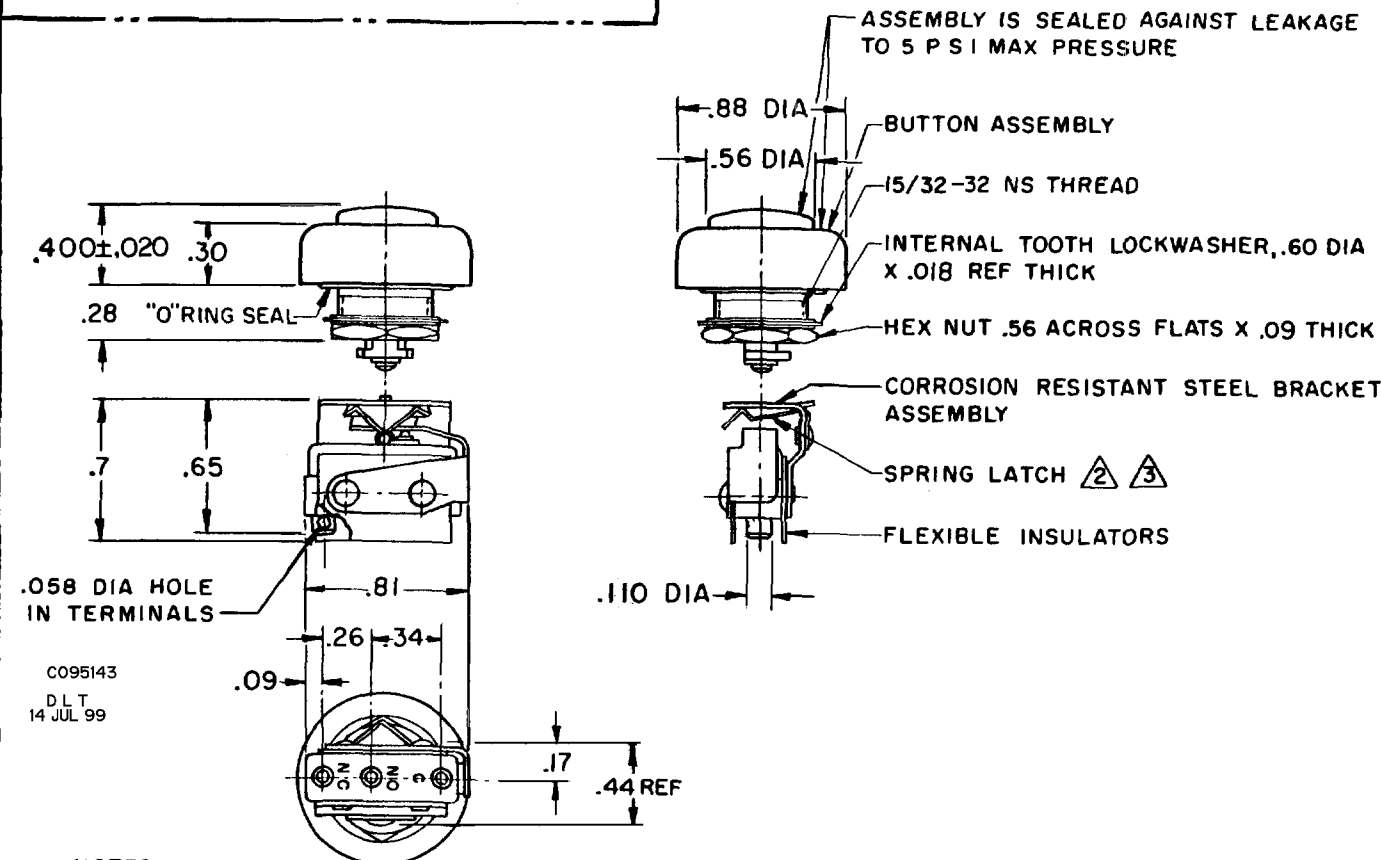
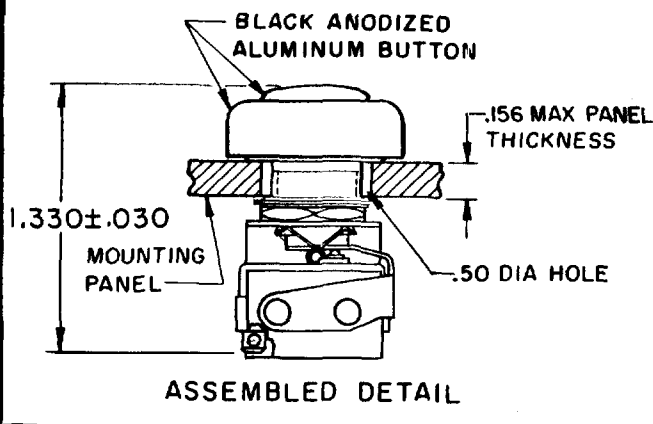
CHECK

CHECK

CHECK

CHECK

CHECK



NOTES

- 1-UNIT INCLUDES CATALOG LISTING "ISM" TYPE BASIC SWITCH
- 2 SPRING LATCH PERMITS ASSEMBLY AND DISASSEMBLY AS REQUIRED
- 3 "D" SHAPED HOLE IN SPRING LATCH PREVENTS ROTATION BETWEEN THE TWO PARTS
- 4- ASSEMBLY IS COMPLETED AFTER INSTALLING BUTTON TO PANEL
- 5- TERMINALS ARE PLATED FOR SOLDERING

THIS DRAWING COVERS A PROPRIETARY ITEM AND IS THE PROPERTY OF MICRO SWITCH, A DIVISION OF HONEYWELL. THIS DRAWING IS NOT TO BE COPIED OR USED WITHOUT THE APPROVAL OF MICRO SWITCH.

CHARACTERISTICS

OPERATING FORCE — — — — 2 LB MAX
PLUNGER TRAVEL — — — .062 APPROX

ELECTRICAL DATA

CONTACT ARRANGEMENT
S P D T

250 VAC — — — — — 5 AMP
30 VOLTS DC RATING

INDUCTIVE — — — — SEA LEVEL — — — 3 AMP
50,000 FT — — — 2.5 AMP

RESISTIVE — — — — SEA LEVEL — — — 5 AMP
50,000 FT — — — 5 AMP

MAXIMUM INRUSH — — — — — 24 AMP

SCALE FULL

DO NOT SCALE PRINT

UNLESS OTHERWISE NOTED

DIMENSIONS ARE IN INCHES

TOLERANCES ARE:

ONE PLACE	(.0)	±.030
TWO PLACE	(.00)	±.015
THREE PLACE	(.000)	±.005
ANGLES		±

WEIGHT

FORMTEK

DRAWN

M B F 30 MAR 65