



MICRO SWITCH

FREERPORT, ILLINOIS, U. S. A.
A DIVISION OF HONEYWELL

FED. MFG. CODE 91929

ASSEMBLY - PUSHBUTTON SWITCH

CATALOG LISTING

2PB11

REPLACES

2PB11
PAGE 1 OF 1

M
DRAWING NUMBER

1616
ISSUE

REVISIONS

| | | | |
|---|----------|-------|-----------|
| A | CO19800 | M B F | 12 FEB 65 |
| B | CO21022 | M B F | 22 FEB 66 |
| C | CO30742 | R E R | 2 OCT 72 |
| D | CO31782 | D B W | 16 MAR 73 |
| E | CO-93593 | P P F | 22 OCT 98 |
| F | CO-94273 | G J W | 15 APR 99 |

CHECK

22 OCT 98

J A F

CHECK

19 FEB 65

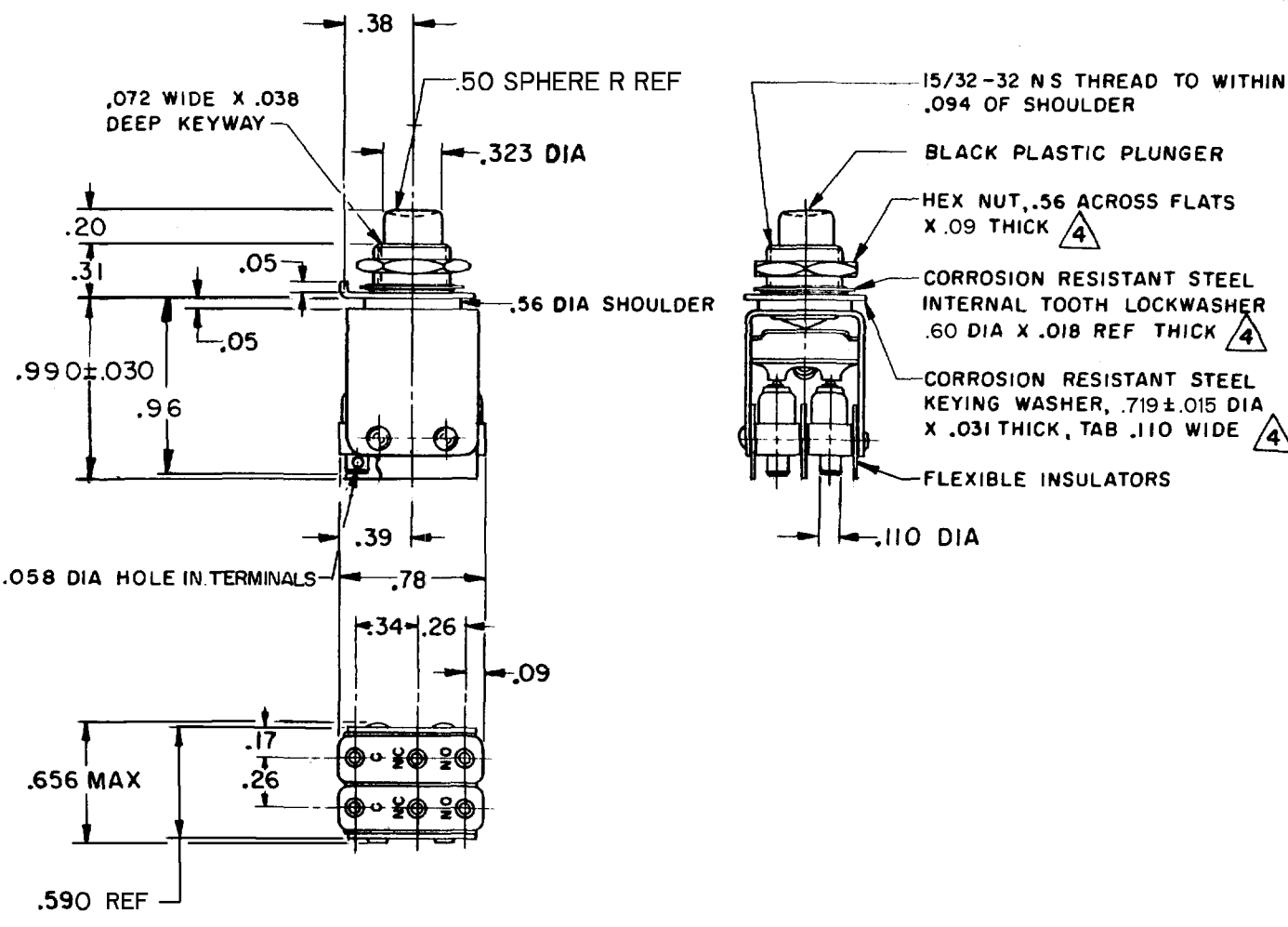
SD

CHECK

12 FEB 65

DRAWN

FORMTEK
FC-90378



- NOTES
- 1 - UNIT INCLUDES "IISM" TYPE BASIC SWITCH (2)
 - 2 - TERMINALS ARE PLATED FOR SOLDERING
 - 3 - SWITCHES DO NOT NECESSARILY OPERATE SIMULTANEOUSLY
 - (4) MOUNTING HARDWARE FURNISHED UNASSEMBLED

THIS DRAWING COVERS A PROPRIETARY ITEM AND IS THE PROPERTY OF MICRO SWITCH, A DIVISION OF HONEYWELL. THIS DRAWING IS NOT TO BE COPIED OR USED WITHOUT THE APPROVAL OF MICRO SWITCH.

| CHARACTERISTICS | ELECTRICAL DATA | SCALE FULL |
|--------------------------------------|---|--------------------------|
| OPERATING FORCE — — 30 OZ APPROX | CONTACT ARRANGEMENT S P D T (2) | DO NOT SCALE PRINT |
| PRETRAVEL — — — — .040 APPROX | 250 VAC — — — — — 5 AMP | UNLESS OTHERWISE NOTED |
| DIFFERENTIAL TRAVEL — — — .050 MAX | 30 VOLTS DC RATING | DIMENSIONS ARE IN INCHES |
| (B) TOTAL TRAVEL — — — — .110 APPROX | INDUCTIVE — — — — SEA LEVEL — — — 3 AMP | TOLERANCES ARE: |
| | 50,000 FT — — — 2.5 AMP | ONE PLACE (.0) ±.030 |
| | RESISTIVE — — — — SEA LEVEL — — — 5 AMP | TWO PLACE (.00) ±.015 |
| | 50,000 FT — — — 5 AMP | THREE PLACE (.000) ±.005 |
| | MAXIMUM INRUSH — — — — — 24 AMP | ANGLES ± |
| | | WEIGHT |