

MICRO SWITCH

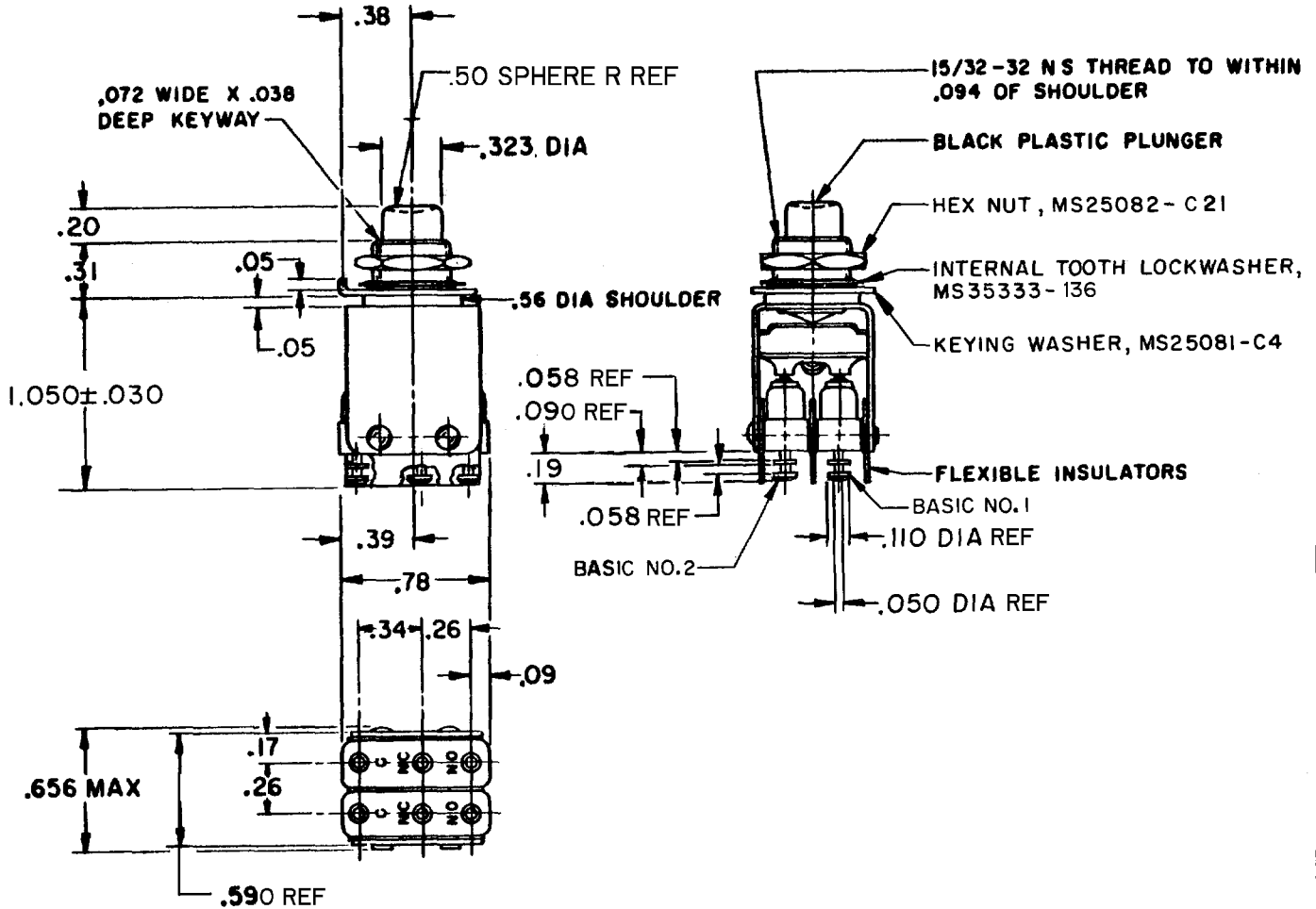
FREERPORT ILLINOIS, U.S.A.
A DIVISION OF HONEYWELL
FED. MFG. CODE 91929

ASSEMBLY - PUSHBUTTON SWITCH

CATALOG LISTING
2PB732-T2

MILITARY P/N
M8805 / 23-001

2PB732-T2
 PAGE 1 OF 1
M
 DRAWING NUMBER
 ISSUE 10
 REVISIONS
 A SRI2939
 M B F
 9 AUG 67
 B CO26314
 S R H
 4 SEPT 69
 C CO26040
 M B S
 6 OCT 69
 D CO27631
 O M W
 19 JUN 70
 E CO27719
 M B S
 10 AUG 70
 F CO32757
 R E R
 28 NOV 73
 G CO-93593
 P P F
 26 OCT 98
 H CO-94273
 G J W
 15 APR 99
 RELEASE NO. SR 12939
 CHECK 26 OCT 98
 CHECK 9 AUG 67
 CHECK 9 AUG 67
 DRAWN M B F 9 AUG 67
 FORMTEK FO-80378-1A



NOTES

- 1 - UNIT INCLUDES MS 25085-2 TYPE BASIC SWITCH (2)
- 2 - TERMINALS ARE PLATED FOR SOLDERING
- 3 - SWITCHES DO NOT NECESSARILY OPERATE SIMULTANEOUSLY

THIS DRAWING COVERS A PROPRIETARY ITEM AND IS THE PROPERTY OF MICRO SWITCH, A DIVISION OF HONEYWELL. THIS DRAWING IS NOT TO BE COPIED OR USED WITHOUT THE APPROVAL OF MICRO SWITCH.

CHARACTERISTICS

OPERATING FORCE — — — 4.5 LB MAX
TOTAL TRAVEL — — — .100 APPROX

ELECTRICAL DATA

LOAD	CONTACT ARRANGEMENT S P D T (2)		
	SEA LEVEL	50,000 FT.	
	28 VDC	115 VAC	28 VDC
RESISTIVE	5	5	5
INDUCTIVE	3	5	2.5
LAMP	2.4	1.5	2.4

SCALE FULL

DO NOT SCALE PRINT
UNLESS OTHERWISE NOTED
DIMENSIONS ARE IN INCHES
TOLERANCES ARE:
ONE PLACE (.0) ± .030
TWO PLACE (.00) ± .015
THREE PLACE (.000) ± .005
ANGLES ±
WEIGHT .055 LB MAX