



**MICRO SWITCH**  
 FREEPORT ILLINOIS  
 A DIVISION OF HONEYWELL  
 FED. MFG. CODE 91929

# ASSEMBLY - PUSHBUTTON SWITCH

CATALOG LISTING  
**704PB SERIES CHART I**

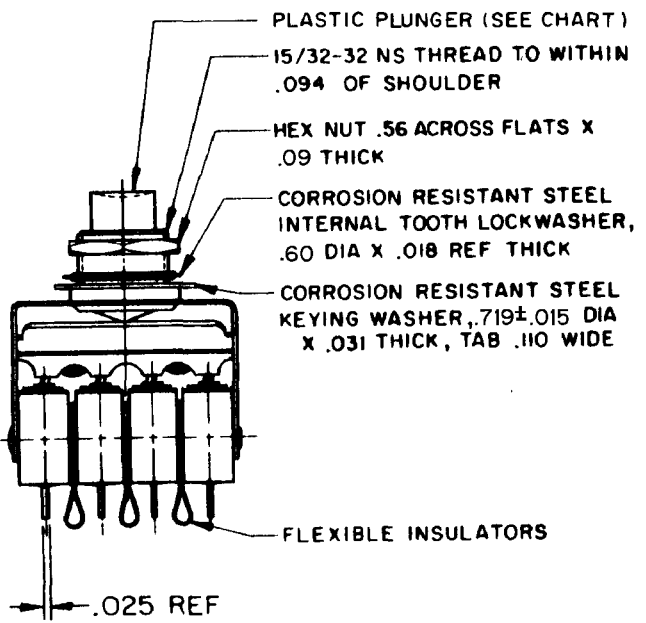
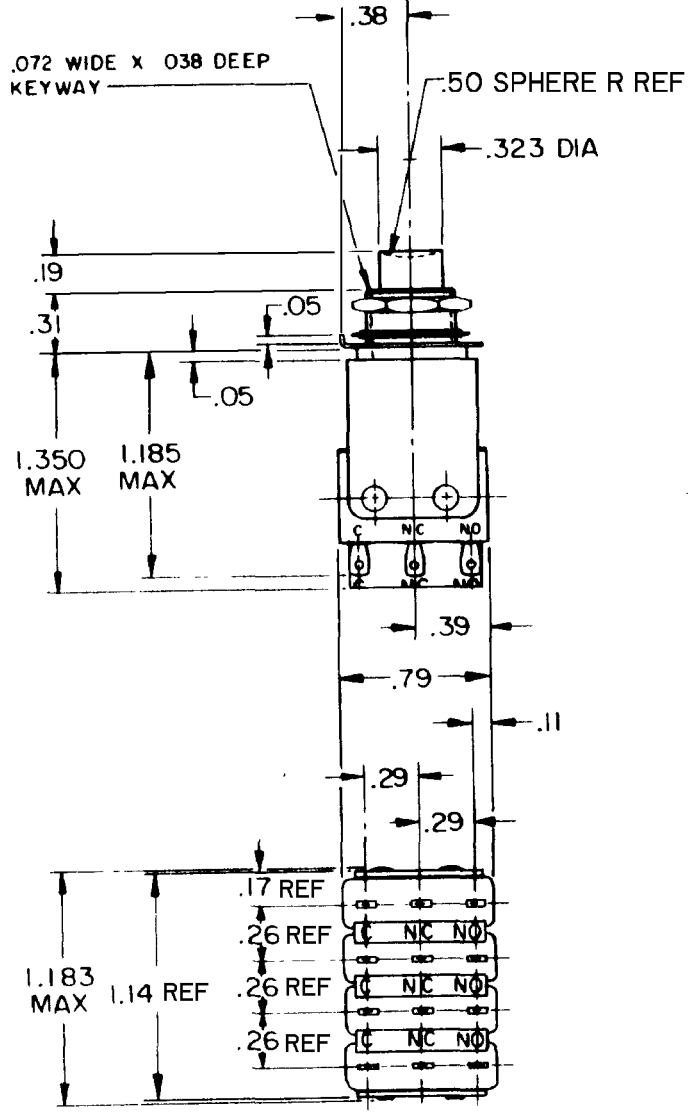
704PB SERIES  
 CHART I  
 PAGE 1 OF 1

**M**  
 DRAWING NUMBER  
 ISSUE X2  
 X5

REVISIONS

A	CO 18107	MB F	17 MAY 63
B	CO 82984	DLT	17 MAY 96
C	CO-94273	G J W	15 APR 99
D	CO-94491	G J W	5 MAY 99

REPLACES  
 SR 10787  
 4, MAR '63  
 LWE  
 CHECK  
 KAC  
 4, MAR '63  
 CHECK  
 KAC  
 5 MAY 99



NOTE -  
 1 - UNIT INCLUDES "HM TYPE" BASIC SWITCH (4)  
 2 - TERMINALS ARE PLATED FOR SOLDERING  
 3 - SWITCHES DO NOT NECESSARILY OPERATE SIMULTANEOUSLY

CATALOG LISTINGS	PLUNGER COLOR	RELEASE NO.
704PB1	BLACK	SR 10787
704PB2	RED	SR 10787
704PB3	GREEN	SR 10787

THIS DRAWING COVERS A PROPRIETARY ITEM AND IS THE PROPERTY OF MICRO SWITCH, A DIVISION OF MINNEAPOLIS-HONEYWELL REGULATOR CO. THIS DRAWING IS NOT TO BE COPIED OR USED WITHOUT THE APPROVAL OF MICRO SWITCH.

CHARACTERISTICS
OPERATING FORCE - - - - - 35 OZ APPROX
TOTAL TRAVEL - - - - - .100 APPROX

ELECTRICAL DATA
CONTACT ARRANGEMENT S P D T (4)

115 VOLTS AC RATING  
 400 CPS  
 INDUCTIVE - - - - - 2 AMP  
 RESISTIVE - - - - - 2 AMP  
 28 VOLTS DC RATING  
 INDUCTIVE - - - - - 3 AMP  
 RESISTIVE - - - - - 5 AMP

SCALE FULL
DO NOT SCALE PRINT
UNLESS OTHERWISE SPECIFIED DIMENSIONS ARE IN INCHES
<b>TOLERANCES ARE:</b>
ONE PLACE (.0) ±.030
TWO PLACE (.00) ±.015
THREE PLACE (.000) ±.005
ANGLES ±
WEIGHT .064 LB APPROX

FORMTEK  
 FO-50378  
 DRAWN  
 O MW 4 FEB 63 CHECK