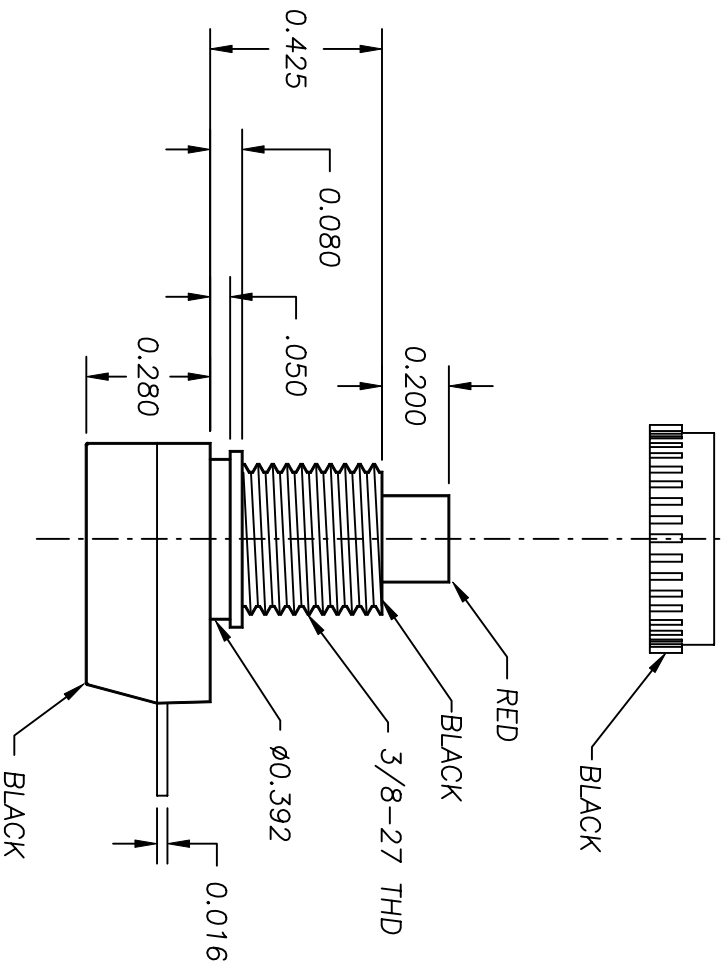
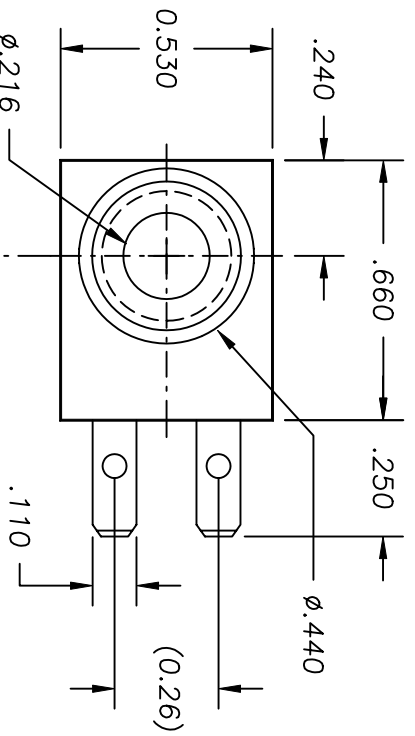


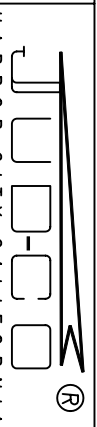
LTR	EN	DESCRIPTION	APPR	BY	DATE
A	-	INITIAL RELEASE	RB	EM	2-04-04



JUDCO INVENTORY NO. 40-1880-02  
 SWITCH TYPE: MOMENTARY, NORMALLY OPEN  
 NUTS PACKED SEPARATELY

CUSTOMER: DIGI KEY  
 CUST. PN: 503 PB-ND  
 APPROVED BY: \_\_\_\_\_  
 DATE: \_\_\_\_\_

DIMENSIONS IN INCHES  
 DIMENSIONS ARE REFERENCE



DRAWN: EM 02-04-04  
 APPR: KJ 02-04-04

TITLE: OUTLINE  
 J-188A-3

DWG. NO. 1415-561  
 SHEET 1 OF 1

This document embodies a product, component, and/or design proprietary to JUDCO MANUFACTURING INC., and which is protected either as a trade secret, by U.S. Patent, or by copyright. It may not be used in any way without written express consent of JUDCO MANUFACTURING INC.