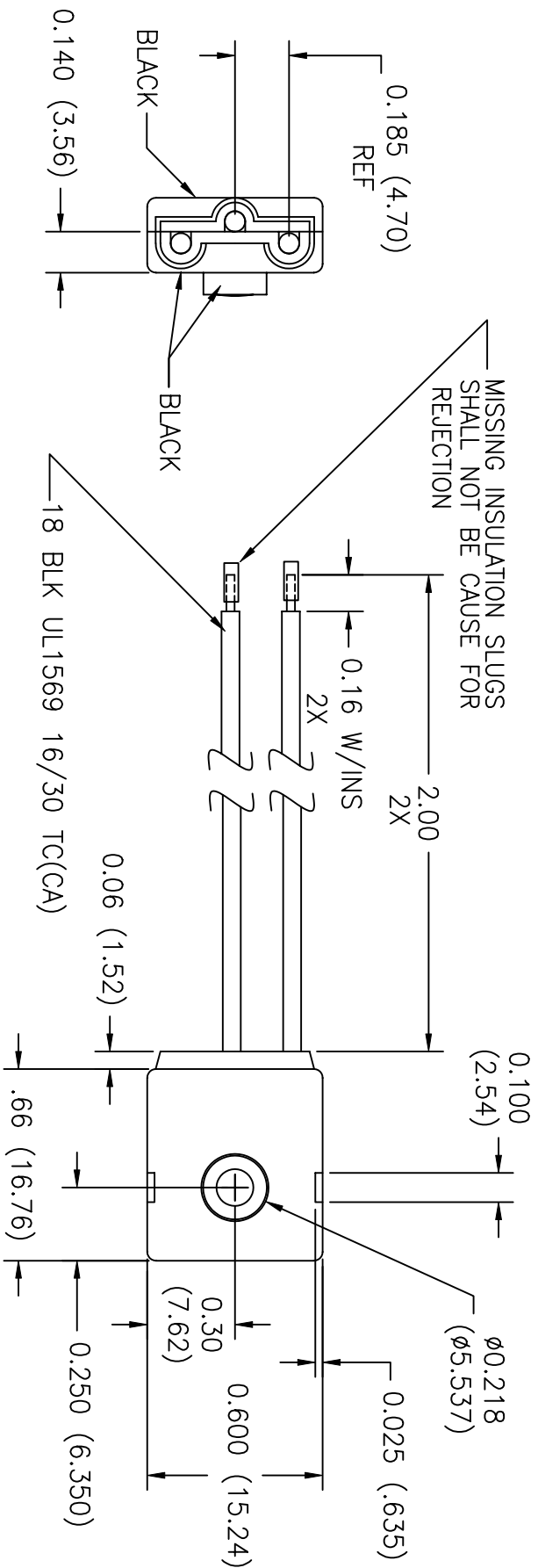


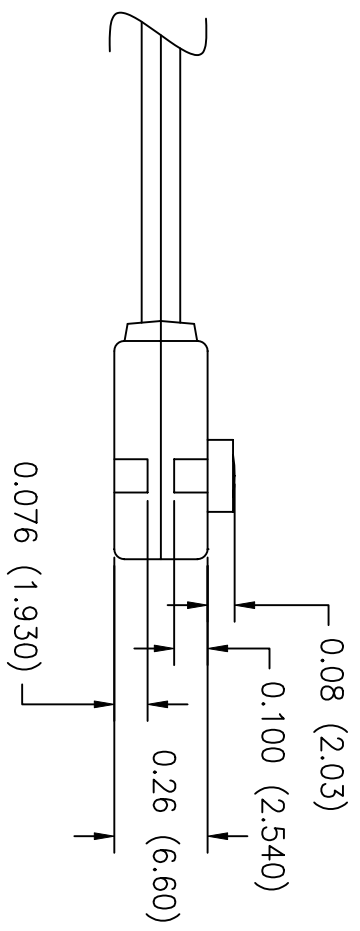
LTR	EN	DESCRIPTION	APPR	BY	DATE
A	-	INITIAL RELEASE	RB	EM	2-16-04
A1	-	ADDED CUST PN	RB	EM	2-24-04



MISSING INSULATION SLUGS
SHALL NOT BE CAUSE FOR
REJECTION

JUDCO INVENTORY NO. 40-3979-00
SWITCH TYPE: PUSH ON - PUSH OFF
J-987-1

CUSTOMER: DIGI KEY
CUST. PN: 515 PB-ND
APPROVED BY: _____
DATE: _____



DIMENSIONS IN INCHES
DIMENSIONS ARE REFERENCE

DRAWN: EM 02-16-04		TITLE	
APPR: KJ 02-16-04		HARBOR CITY CALIFORNIA	
1415U573A1.DWG		OUTLINE	
DWG. NO. 1415-573		J-987-1	
SHEET		1 OF 1	

This document embodies a product, component, and/or design proprietary to JUDCO MANUFACTURING INC., and which is protected either as a trade secret, by U.S. Patent, or by copyright. It may not be used in any way without written express consent of JUDCO MANUFACTURING INC.