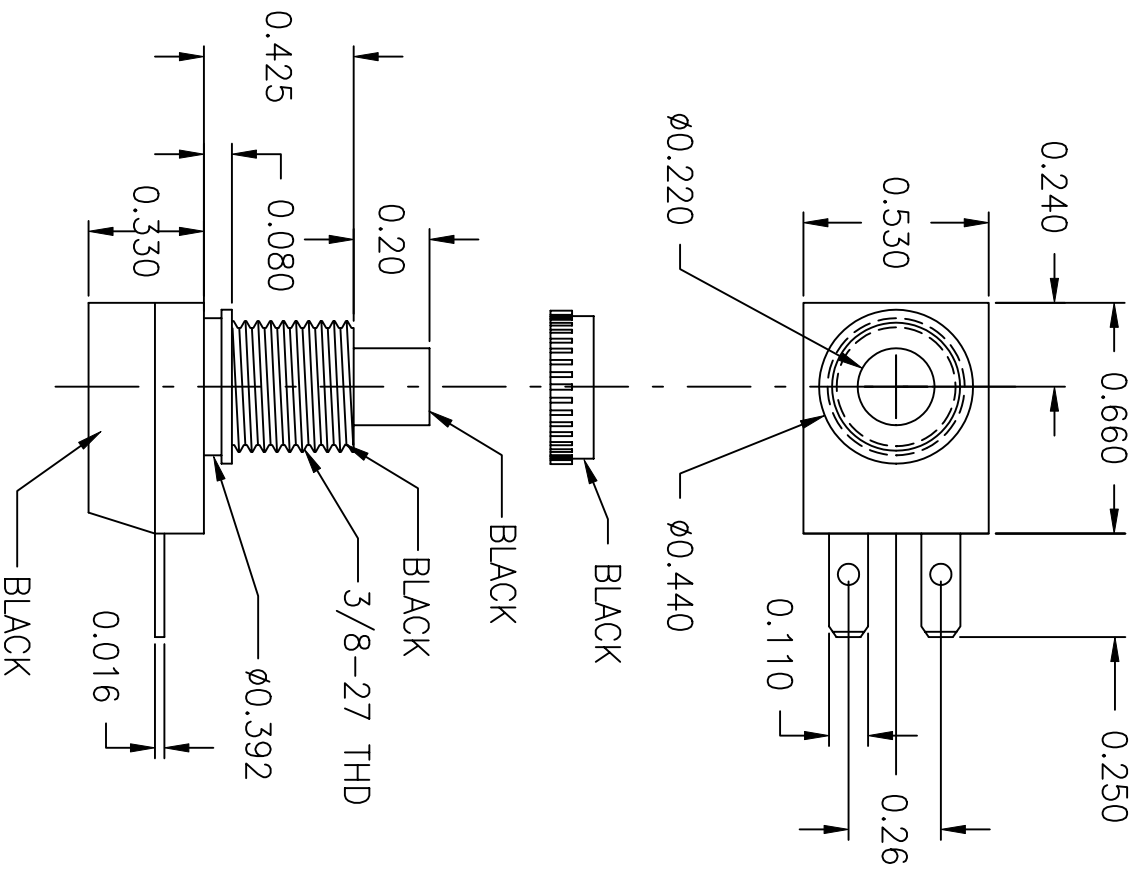


LTR	EN	DESCRIPTION	APPR	BY	DATE
A	-	INITIAL RELEASE	RB	NH	9-15-06
A1	-	ADDED CUSTOMER'S PART NUMBER.	RB	DC	1-16-07



JUDCO INVENTORY NO. 40-4523-00  
 SWITCH TYPE: PUSH ON-PUSH OFF, SPST  
 ELECTRICAL RATINGS: 14VDC 10A  
 TEMPERATURE RATING: 55°C  
 NUT PACKED SEPARATELY

CUSTOMER: DIGIKEY  
 CUSTOMER PN: 547PB-ND  
 APPROVED BY: \_\_\_\_\_  
 DATE: \_\_\_\_\_

DIMENSIONS IN INCHES DIMENSIONS ARE REFERENCE		
DRAWN: NH	9-15-06	
APPR: KJ	1-16-07	<b>OUTLINE</b> J-188A-1 UJDC W/STRAIGHT TERMINALS DWG. NO. <b>1415-1026</b>
1415U1026A1.DWG		SHEET 1 OF 1

This document embodies a product, component, and/or design proprietary to JUDCO MANUFACTURING INC., and which is protected either as a trade secret, by U.S. Patent, or by copyright. It may not be used in any way without written express consent of JUDCO MANUFACTURING INC.