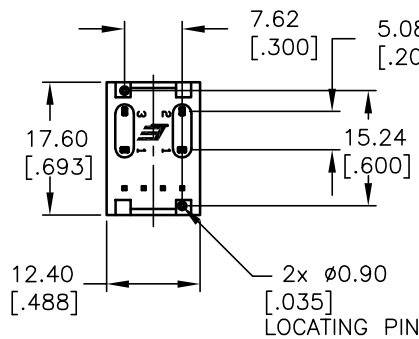


NOTES:

1. ALL DIMENSIONS IN MM [INCH]
2. GENERAL TOLERANCE: X.X=±0.4
X.XX=±0.25
3. TERM. NOS. FOR REFERENCE ONLY
4. RATINGS: 12mA @24V
- ▲ 5. CONTACT FIXED AND MOVING:
COPPER ALLOY W/ GOLD PLATE
6. CONTINUOUS CURRENT RATING: 120mA
7. POWER RATING: 240mW
8. OPERATING FORCE: <200gf
9. OPERATING TRAVEL: 2.5±0.2mm

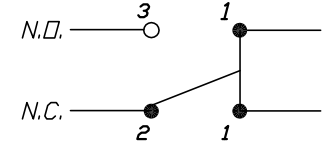
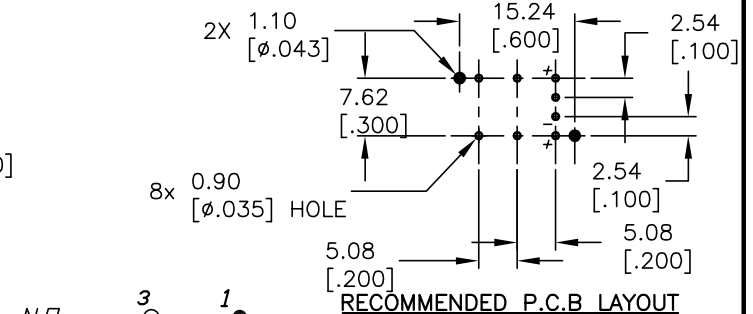


GREEN LED

PARAMETERS	SYMBOL	MAX.	MIN.	TYP.	UNITS
POWER DISSIPATION	P _D	100	--		mW
AVE FORWARD CURRENT	I _{AF}	30	--		mA
PEAK FORWARD CURRENT	I _{PF}	120	--		mA
FORWARD VOLTAGE	V _F	2.8	1.9	2.2	V
REVERSE VOLTAGE	V _R	5	--		V
REVERSE CURRENT	I _R	100	--		µA
EMISSION WAVELENGTH	λ _P			570	nm
LUMINOUS INTENSITY	I _F	6.0	15.0		mcd

RED LED

PARAMETERS	SYMBOL	MAX.	MIN.	TYP.	UNITS
POWER DISSIPATION	P _D	80	--		mW
AVE FORWARD CURRENT	I _{AF}	30	--		mA
PEAK FORWARD CURRENT	I _{PF}	80	--		mA
FORWARD VOLTAGE	V _F	2.8	1.8	2.2	V
REVERSE VOLTAGE	V _R	5	--		V
REVERSE CURRENT	I _R	100	--		µA
EMISSION WAVELENGTH	λ _P			695	nm
LUMINOUS INTENSITY	I _F	0.7	2.2		mcd



CIRCUIT: SPDT CONTACT CONFIGURATION

E-SWITCH®

TITLE	5501MBLKGRNRED				
SCALE	1:1	DATE	2/3/04	DR	AR
				DWG	XR0232P
				REV	B

THE INFORMATION CONTAINED IN THIS DOCUMENT IS PROPRIETARY TO E-SWITCH AND IS NOT TO BE COPIED OR TRANSFERRED