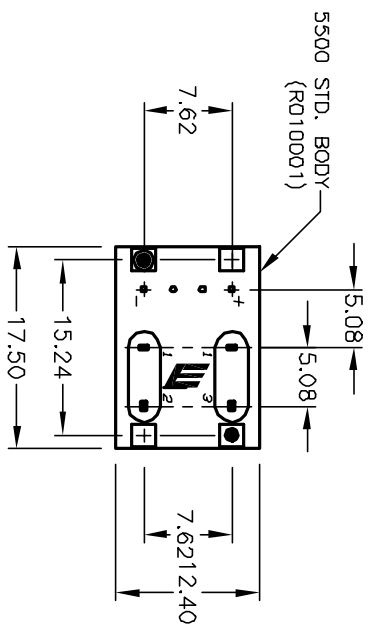
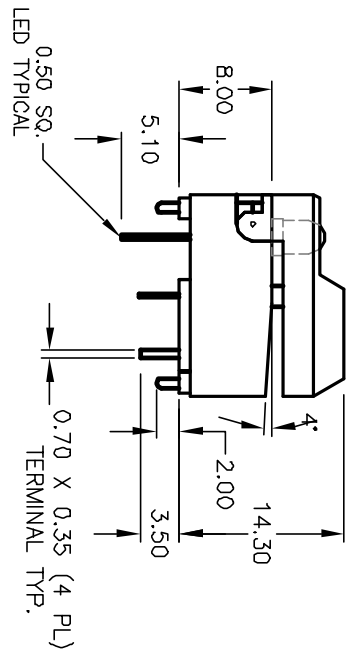
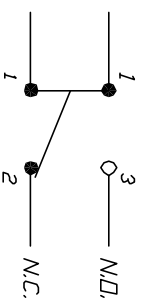


RECOMMENDED P.C.B. LAYOUT



LED SPECIFICATION	SYMBOL	RED L.E.D.		UNITS
		MAX	MIN	
POWER DISSIPATION	P _d	80	--	mW
FORWARD VOLTAGE	V _F	2.8	1.9	V
REVERSE VOLTAGE	V _R	5	--	V
EMISSION WAVELENGTH	λ _p	30	--	nm
AVE. FORWARD CURRENT	I _{AF}	30	--	mA
LUMINOUS INTENSITY	I _v	0.7	--	mccl



CIRCUIT: SPDT CONTACT CONFIGURATION

NOTES:

1. ALL DIMENSIONS IN MM
2. GENERAL TOLERANCE: X.X=±0.4 X.XX=±0.25
3. TERM. NO. FOR REF. ONLY
4. RATING: 12mA @24V
5. FIXED CONTACT/MOVING CONTACT: COPPER ALLOY W/GOLD PLATE
6. CONTACT BOUNCE: <5m SEC.
7. CONTACT RESISTANCE: <50milli-ohms
8. TRAVEL: 2.5±0.2mm

E-SWITCH®

REV.	ECN No.	DESCRIPTION	DATE	CHKD
A	12151	RELEASED FOR PRODUCTION	5/14/02	CJB

TITLE	SCALE	DATE	DR	DWG	REV
5501-M-6-1	1.5:1	5/14/02	CJB	XR0220P	A

THE INFORMATION CONTAINED IN THIS DOCUMENT IS PROPRIETARY TO E-SWITCH AND IS NOT TO BE COPIED OR TRANSFERRED