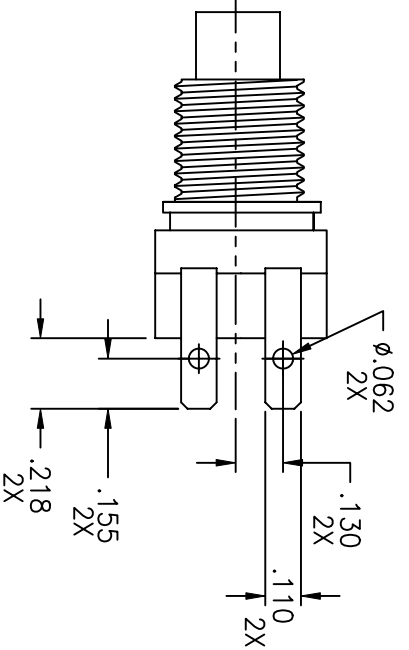
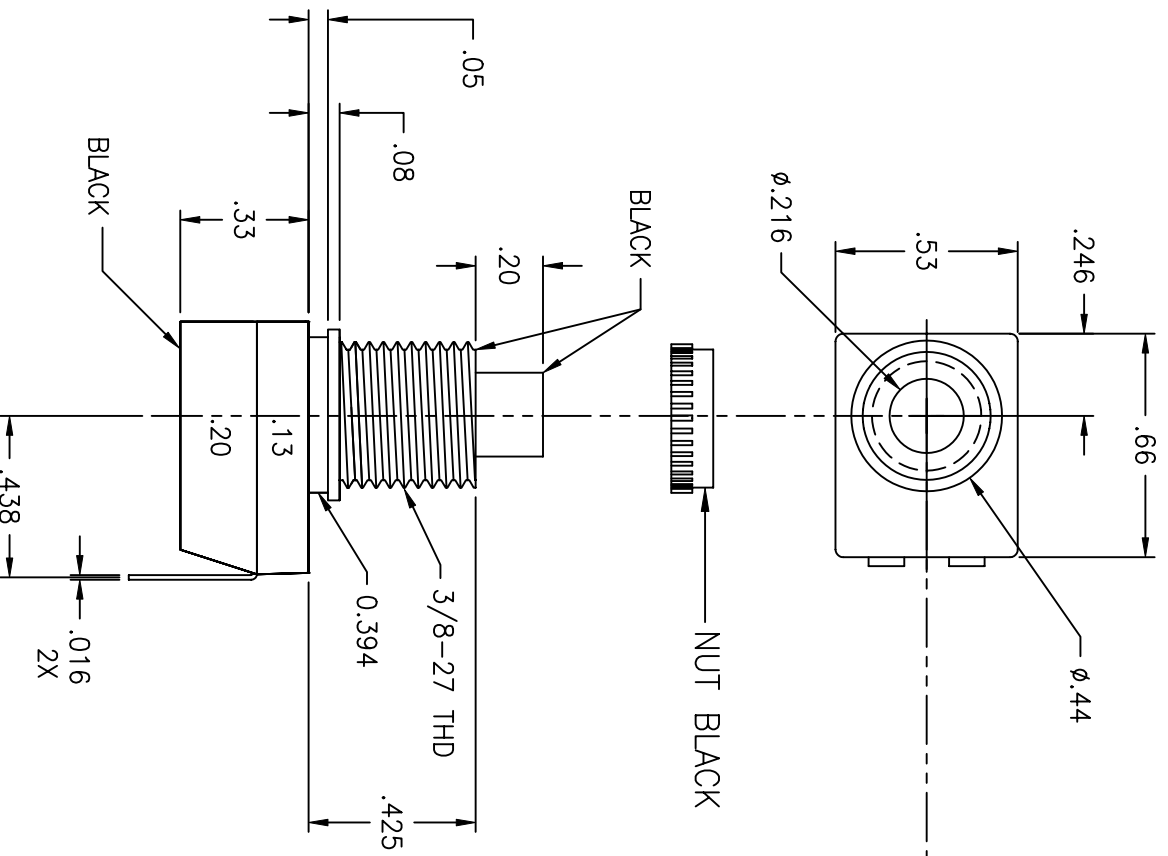


LTR	EN	DESCRIPTION	APPR	BY	DATE
A	-	INITIAL RELEASE	MT	DC	12-27-07

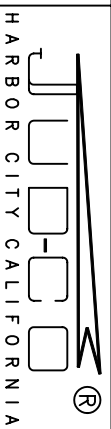


JUDCO INVENTORY NO. 40-4677-00
 SWITCH TYPE: PUSH ON-PUSH OFF
 NUT INCLUDED

CUSTOMER: DIGI-KEY
 CUSTOMER PN: TBD

APPROVED BY: _____
 DATE: _____

DIMENSIONS IN INCHES
 DIMENSIONS ARE REFERENCE



TITLE
 HARBOR CITY CALIFORNIA
 OUTLINE

DRAWN: DC 12-27-07
 APPR: KJ 12-27-07
 ENG: IS 12-27-07
 DWG. NO. 1415-1273

1415U1273A.DWG
 SHEET 1 OF 1

This document embodies a product, component, and/or design proprietary to JUDCO MANUFACTURING INC., and which is protected either as a trade secret, by U.S. Patent, or by copyright. It may not be used in any way without written express consent of JUDCO MANUFACTURING INC.