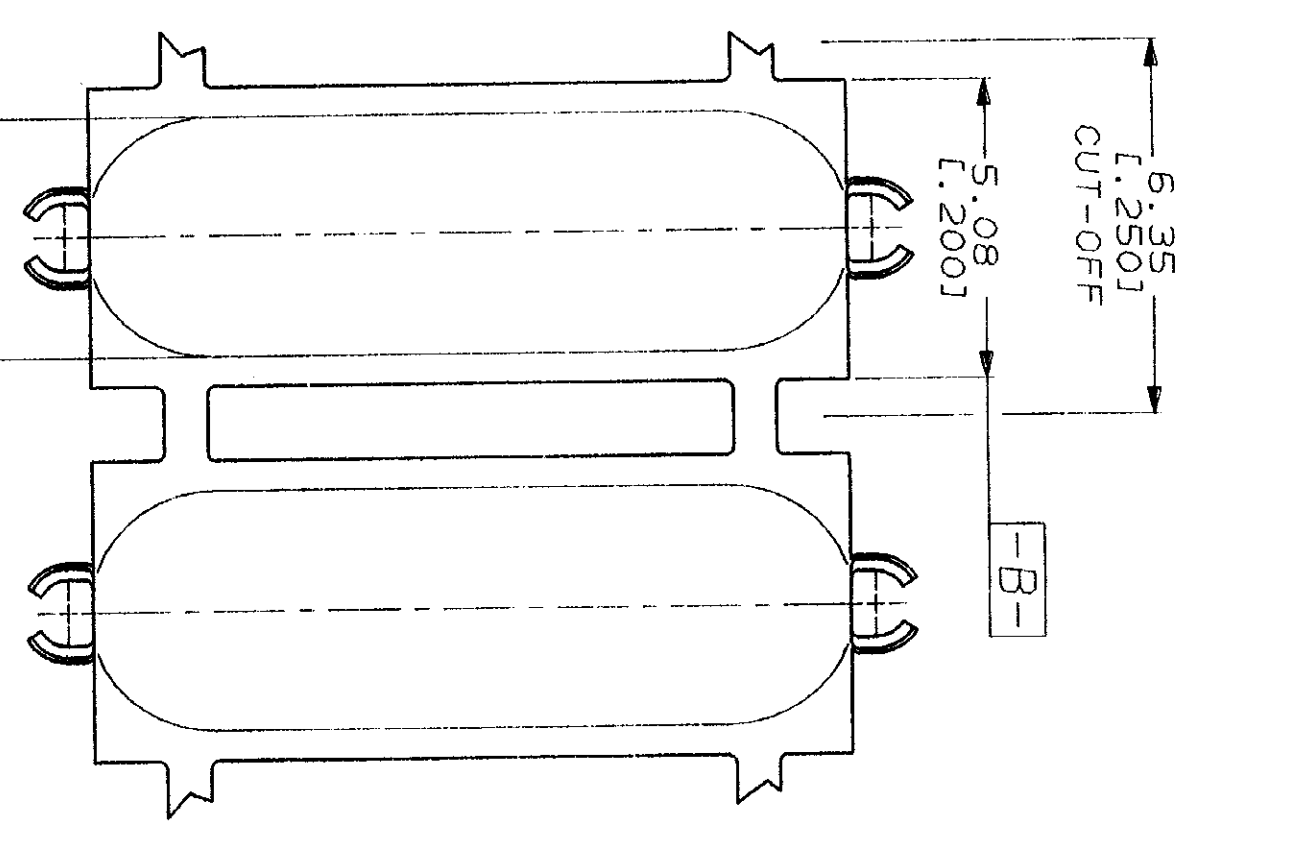
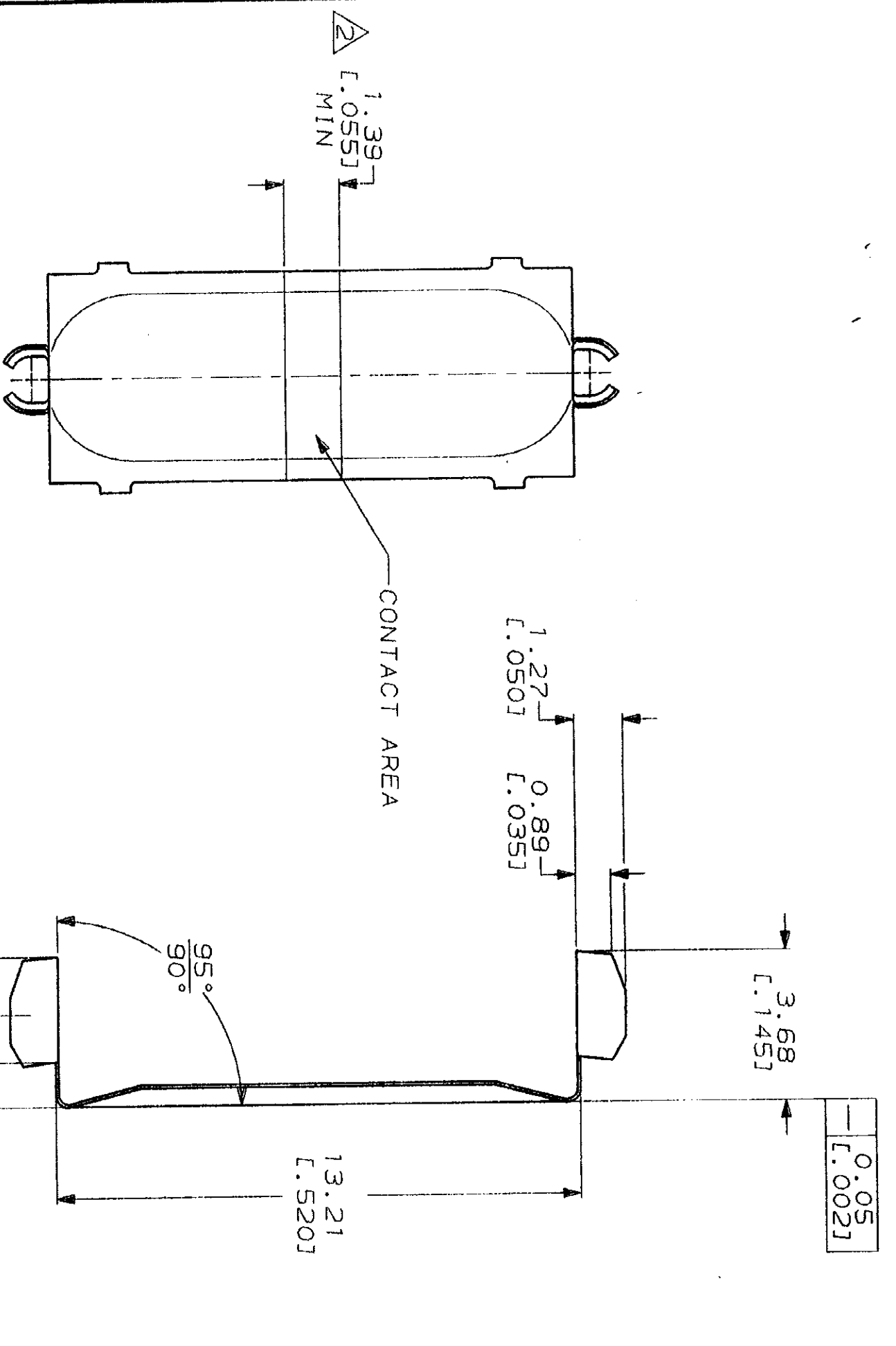


DRAWING MADE IN THIRD ANGLE PROJECTION  
 THIS DRAWING IS UNPUBLISHED. RELEASED FOR PUBLICATION  
 BY AMP INCORPORATED, MORRISBURG, PA. ALL INTERNATIONAL RIGHTS  
 RESERVED. AMP PRODUCTS MAY BE COVERED BY U.S. AND FOREIGN PATENTS AND/OR PATENTS PENDING.

LOC	DISP	REV	DATE	APPROVED
AF	52	F		
REVISIONS				
ZONE	LTR	DESCRIPTION	DATE	APPROVED
F		REDWN PER AF-4822	6/2/87	1/87



- 1 TIN ON OUTSIDE OF MOUNTING LEGS ONLY.
- 2 .000030 MIN GOLD IN CONTACT AREA ONLY.
- 3 SEE DWG 62313 FOR BUTTON CONTACT.
- 4 THIS DRAWING IS RESTRICTED FOR FORD MOTOR CO., DELCO REMY, AND VEEDER-ROOT CO.
- 5 DIMENSIONS IN BRACKETS ARE IN INCHES.

**METRIC**

UNLESS OTHERWISE SPECIFIED DIMENSIONS ARE IN mm TOLERANCES ON:		DR	4/8/87	NAME	AMP
2 PL DEC ±0.25 [.010]		CHK	5/18/87	AMP INCORPORATED	
3 PL DEC ± ANGLES ±		APP	7/18/87	MORRISBURG, PA. 17105	
MATERIAL		APP	7/18/87	SWITCH, KEYBOARD,	
0.08 [.003] THK		APP	7/18/87	HIGH FORCE	
FINISH		PRODUCT SPEC		SIZE	C
SEE TABLE		108-2018		FSCM NO	00779
WEIGHT		APPLICATION SPEC		DRAWING NO	62614
		114-2014		SCALE	8:1

P/N ON STRIP	REMARKS	FINISH	PART NO
62644-2	LOOSE PIECE	A	62614-2
62644-1	LOOSE PIECE	A	62614-1