

# IA series

## Low profile pushbutton switches for harsh environments

*Distinctive features - Specifications - Overview*

- Resistant to frost, sand and hydrocarbons
- Tactile feedback
- Front panel sealed to IP 67

B

### ELECTRICAL AND GENERAL SPECIFICATIONS

- Max. current/voltage rating with resistive load : 2A 24VDC
- Initial contact resistance : 100mΩ max.
- Insulation resistance : 100 MΩ min. at 500VDC
- Dielectric strength : 500 VAC rms
- Electrical life at full load : 1 000.000 cycles
- **Torque : 0,5 to 1Nm applied to nut**
- Panel thickness : 7 mm (.276) max.
- Total travel : 1,5 mm +/- 0,3 (.059 +/- .012)
- Operating force : 6,5 N ±2N

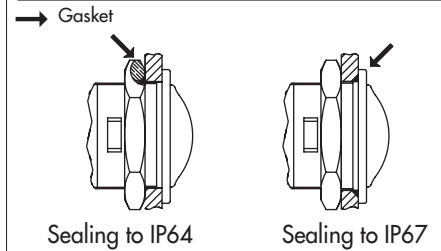
### MATERIALS

- Case/bushing : thermoplastic
- Actuator : polyurethane
- Contacts : silver
- Terminal seal : epoxy

### ENVIRONMENTAL SPECIFICATIONS

- Front panel sealing (see drawings opposite) :
  - With gasket above the panel : IP67
  - With gasket under the panel : IP64
- Operating temperature : -20°C to +65°C

### PANEL MOUNTING



IA							
<b>SERIES</b>	<b>Shape</b>	<b>Electrical function</b>	<b>Terminals</b>	<b>Contacts</b>	<b>Plunger colours</b>	<b>Case colour</b>	
	R round	3 Normally open (NO) 5 NC/NO combined	F Wire leads	1 Silver	1 Blue 2 Black 3 Green 5 Yellow 6 Red 7/1 White 9 Orange	00 Black	

**Dimensions** : First dimensions are in mm while inches are shown as bracketed numbers.



**A sealing boot** is available to protect the switches against frost and sand. See section H.



**Mounting accessories** : Standard hardware supplied : 1 hex nut 19 mm (.748) across flats and 1 gasket. Knurled nut U3327 available on request. This nut is presented in Section I.

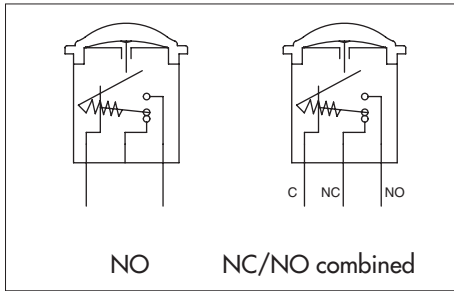


**Packaging unit** : 25 pieces

# IA series

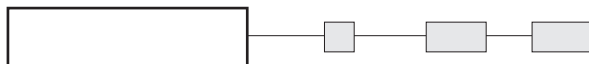
Low profile pushbutton switches for harsh environments

Bushing  $\varnothing$  16 (.629)



- Panel cut-out  $\varnothing$  16,2 mm (.657)
- Min. pitch for matrix mounting :
  - with standard hex nut : 27 x 27 mm (1.062 x 1.062)
  - with knurled nut U3327: 20 x 20 mm (.787x.787)

## MODEL STRUCTURE



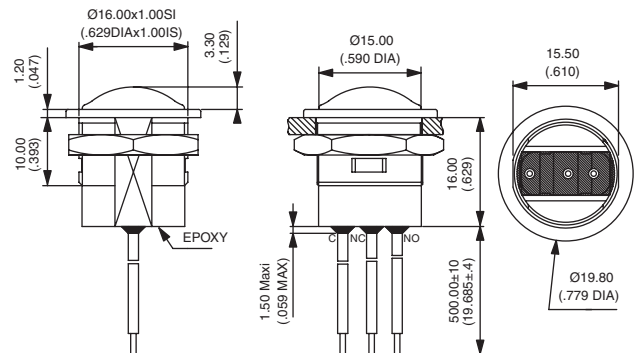
NO model has 2 terminals only.

## Models



Normally open (NO)  
**IAR3F**

NC/NO combined  
**IAR5F**



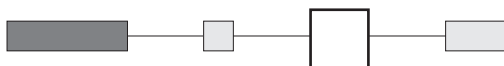
Wire colours (NC/NO) : black = common, brown = NC, blue = NO

## CONTACT MATERIAL



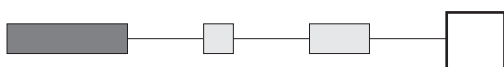
**1** Silver

## PLUNGER COLOUR



1 : blue - 2 : black - 3 : green - 5 : yellow - 6 : red - 7/1 : white - 9 : orange

## CASE COLOUR



00 : black