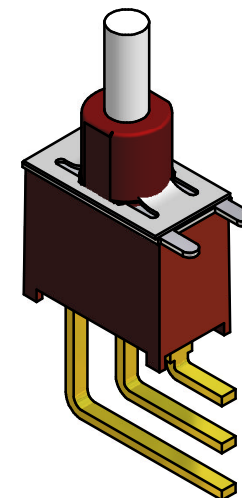
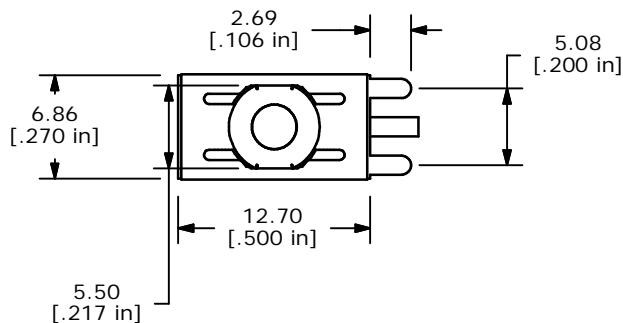


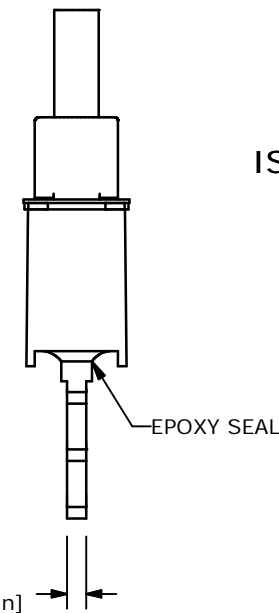
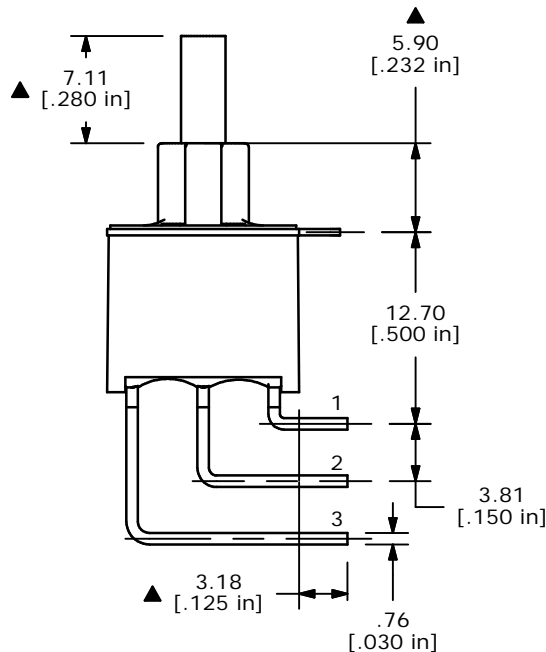
P.C. MOUNTING



ISOMETRIC

SWITCH FUNCTION	
POS. 1	POS. 2
ON	(ON)
1-3	1-2

(ON) = MOMENTARY



NOTE:

1. ALL DIMENSIONS IN MM [INCH]
2. GENERAL TOLERANCE: X.X=±0.4
X.XX=±0.25
3. TERMINAL NUMBERS FOR REF ONLY
- ▲ 4. PLATING MATERIAL: GOLD
5. RATING: 0.4 VOLT-AMPS @20V MAX (AC OR DC)
6. ELECTRIC LIFE: 50,000 make-and-break cycles at full load.
7. INSULATION RESISTANCE: 1,000 Mega-ohm min.
8. DIELECTRIC STRENGTH: 1,500 V RMS @sea level.
9. OPERATING TEMP.: -30°C to 75°C
10. ▲ DENOTES CRITICAL PARAMETER.

E-SWITCH®

A	14505	RELEASED FOR PRODUCTION	11/15/04	AR
REV	PCR NO	DESCRIPTION	DATE	BY

TITLE 700ASP7B21M7RE				
SCALE	DATE	DR	DWG	REV
2:1	6/8/04	AR	T750002	A

THE INFORMATION CONTAINED IN THIS DOCUMENT IS PROPRIETARY TO E-SWITCH AND IS NOT TO BE COPIED OR TRANSFERRED