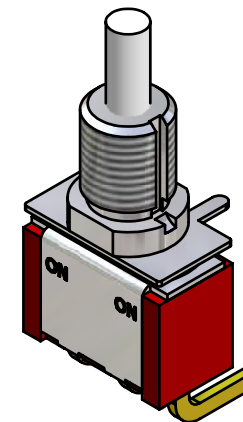
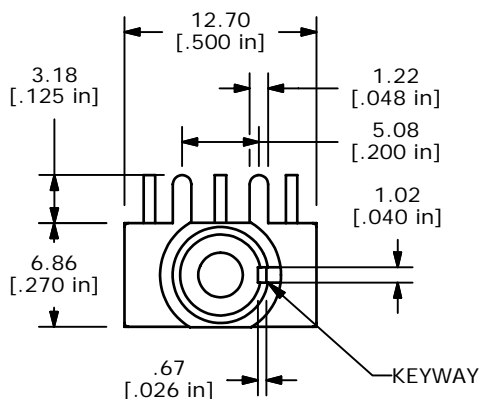
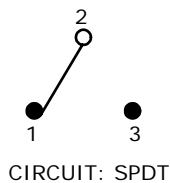


P.C. MOUNTING



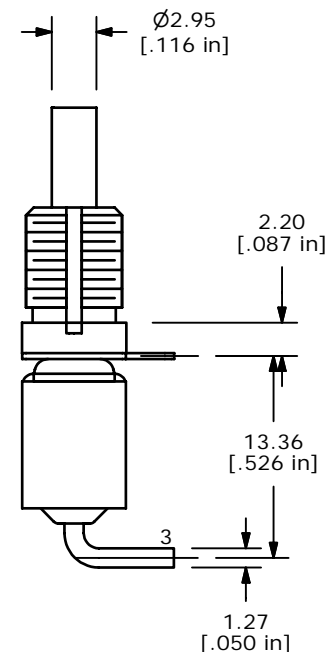
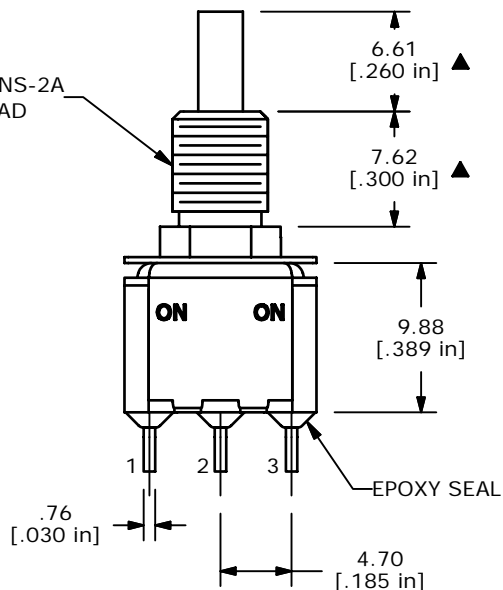
ISOMETRIC

SWITCH FUNCTION	
POS. 1	POS. 2
ON	ON
1-2	2-3



CIRCUIT: SPDT

1/4-40 UNS-2A  
THREAD



NOTE:

1. ALL DIMENSIONS IN MM [INCH]
2. GENERAL TOLERANCE: X.X=±0.4  
X.XX=±0.25
3. TERMINAL NUMBERS FOR REF ONLY
- ▲ 4. PLATING MATERIAL: GOLD
5. RATING: 0.4VA MAX. @20V MAX. AC OR DC
6. ELECTRIC LIFE: 50,000 MAKE-AND-BREAK CYCLES AT FULL LOAD.
7. INSULATION RESISTANCE: 1,000 MEGA-OHM MIN.
8. DIELECTRIC STRENGTH: 1,000 V RMS @SEA LEVEL.
9. OPERATING TEMP.: -30°C to 85°C
10. ▲ DENOTES CRITICAL PARAMETER.
11. 2002/95/EC (ROHS) COMPLIANT

E	16108	UPDATE DWG W/CORRECT BUSHING	6/6/06	CT
D	15840	EDIT SUPPORT DIMENSIONS	3/6/06	PH
C	15792	EDIT ACTUATOR DIA., ADD ROHS NOTE	2/20/06	PH
B	14898	CHANGED ACTUATOR LENGTH	5/5/05	JB
A	14801	RELEASED FOR PRODUCTION	4/14/05	JEB
REV	PCR NO	DESCRIPTION	DATE	BY

THE INFORMATION CONTAINED IN THIS DOCUMENT IS PROPRIETARY TO E-SWITCH AND IS NOT TO BE COPIED OR TRANSFERRED

**E-SWITCH®**

TITLE 700CSP7B60M6RE

SCALE 2:1

DATE 4/14/2005

DR JEB

DWG T711058

REV E