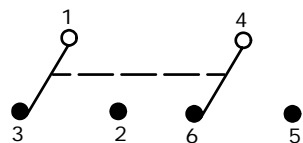
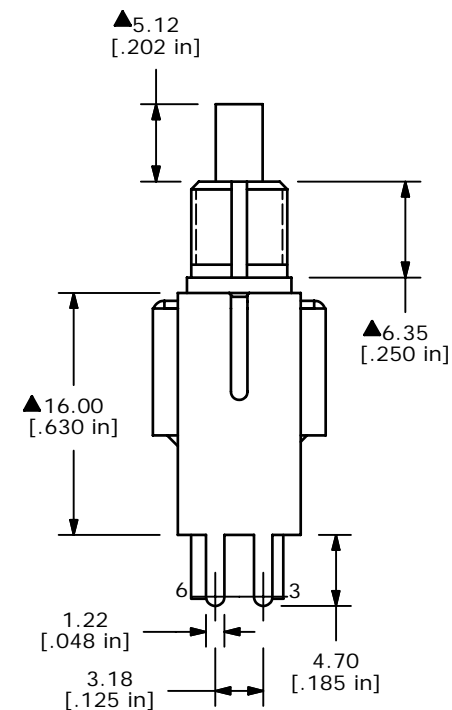
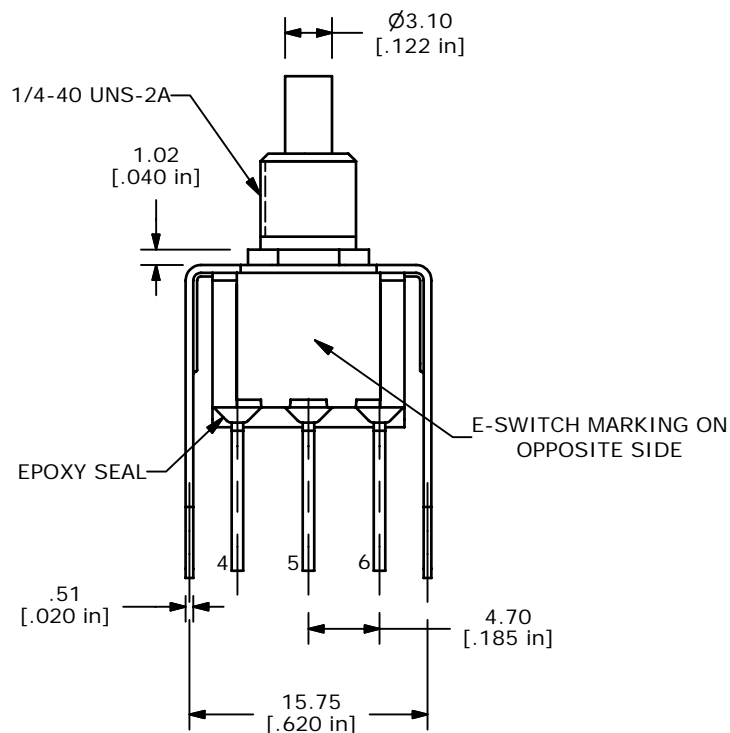


| SWITCH FUNCTION |          |
|-----------------|----------|
| POS. 1          | POS. 2   |
|                 |          |
| ON              | (ON)     |
| 1-3, 4-6        | 1-2, 4-5 |

( ) = MOMENTARY



CIRCUIT: DPST



NOTES:

1. ALL DIMENSIONS IN MM [INCH]
2. GENERAL TOLERANCE: X.X=±0.4  
X.XX=±0.25
3. TERMINAL NUMBERS FOR REFERENCE ONLY
- ▲ 4. CONTACT MATERIAL: GOLD
5. RATING: 0.4VA MAX. @ 20 VAC OR VDC MAX.
6. ELECTRIC LIFE: 50,000 make-and-break cycles at full load
7. INSULATED RESISTANCE: 1,000mOHM MIN.
8. DIELECTRIC STRENGTH: 1,000V RMS @ sea level
9. OPERATING TEMPERATURE: -30°C to 85°C
10. ▲ DENOTES CRITICAL PARAMETER
11. 2002/95/EC (ROHS) COMPLIANT

**E-SWITCH®**

|     |        |                            |         |    |
|-----|--------|----------------------------|---------|----|
| D   | 16422  | REDRAWN IN INVENTOR FORMAT | 9/11/06 | BO |
| REV | PCR NO | DESCRIPTION                | DATE    | BY |

|                      |           |    |         |     |
|----------------------|-----------|----|---------|-----|
| TITLE 700DP7B10VS3RE |           |    |         |     |
| SCALE                | DATE      | DR | DWG     | REV |
| 2:1                  | 9/11/2006 | BO | T721031 | D   |

THE INFORMATION CONTAINED IN THIS DOCUMENT IS PROPRIETARY TO E-SWITCH AND IS NOT TO BE COPIED OR TRANSFERRED