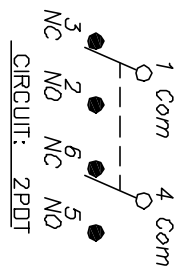


RECOMMENDED P.C.B. LAYOUT

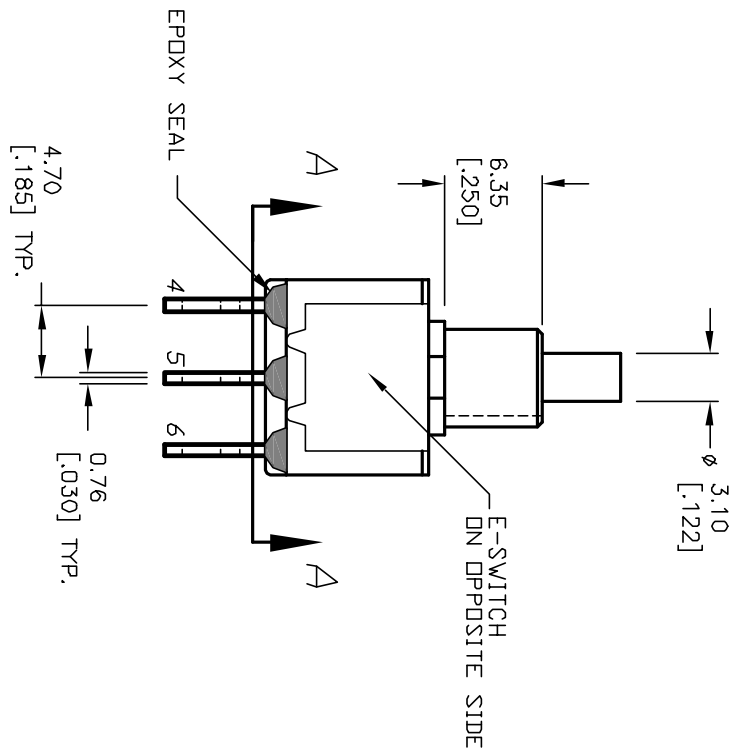
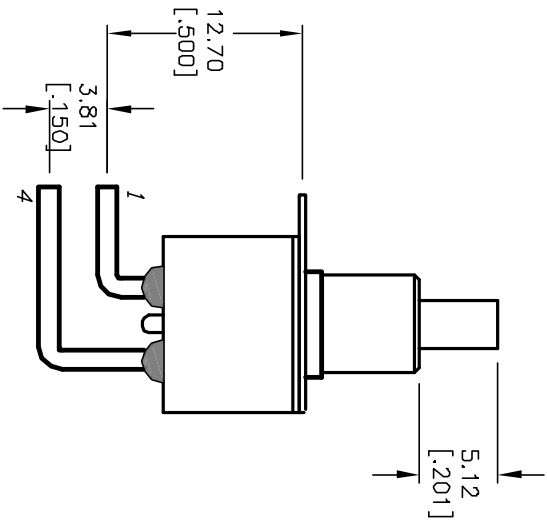


SWITCH FUNCTION	
DN	<DN>
1-3, 4-6	1-2, 4-5

< > =MOMENTARY

NOTES:

1. ALL DIMENSIONS IN MM [INCH]
2. GENERAL TOLERANCE: X.X=±0.4 X.XX=±0.25
3. TERM. NDS. FOR REF. ONLY
4. RATING: 4A@ 20V AC or DC max.
5. FIXED TERM. & MOVING CONTACT:
Copper Alloy w/GOLD plate over
NICKEL plate.
6. CONTACT RESISTANCE: 10mILLI-ohms initial @2-4VDC
7. ELECTRICAL LIFE: 50,000 make-and-break cycles at full load.
8. INSULATION RESISTANCE: 1,000M ohm min.
9. DIELECTRIC STRENGTH: 1000V RMS @sed level
10. OPERATING TEMP.: -30°C to +85°C



REV.	ECN No.	DESCRIPTION	DATE	CHKD
A	12167	RELEASED	5/22/02	CJB

TITLE	SCALE	DATE	DR	DWG	REV
700 DP-7 B20 M6 R E	2:1	5/22/02	CJB	T721012	A

E-SWITCH®

THE INFORMATION CONTAINED IN THIS DOCUMENT IS PROPRIETARY TO E-SWITCH AND IS NOT TO BE COPIED OR TRANSFERRED