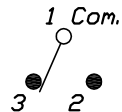


RECOMMENDED P.C.B. LAYOUT
NOT TO SCALE



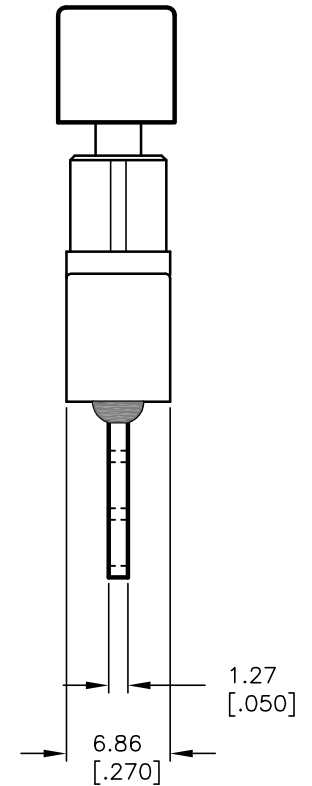
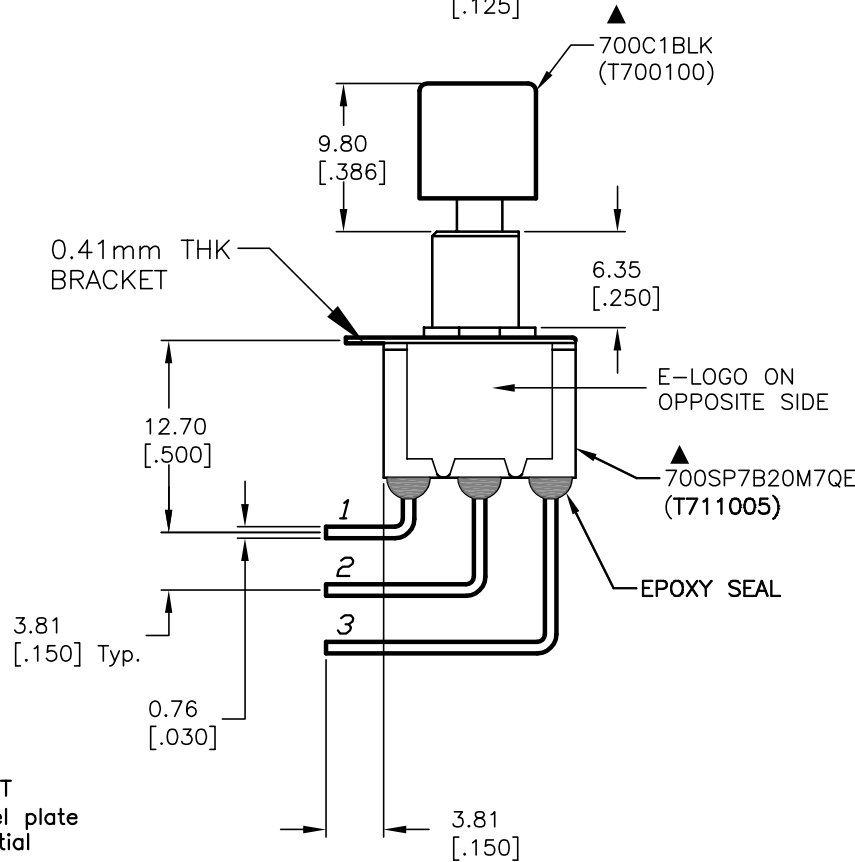
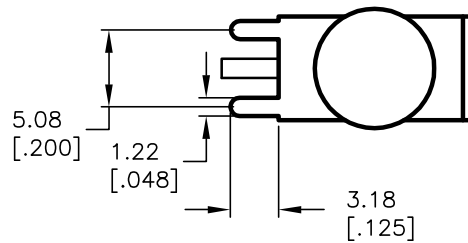
CIRCUIT: SPDT

SWITCH FUNCTION	
DN	<DN>
1-3	1-2

< > =MOMENTARY

NOTES:

- ALL DIMENSIONS IN MM [INCH]
- GENERAL TOLERANCE: X.X=±0.4
X.XX=±0.25
- TERM. NOS. FOR REF. ONLY
- RATING: 1A @250VAC;
3A @120VAC
- MATERIAL: FIXED TERMINAL & MOVING CONTACT
Copper Alloy w/Silver plate over Nickel plate
- CONTACT RESISTANCE: 10mILLI Ohms max initial
@2-4VDC, 100mA for AG & AU
- ELECTRICAL LIFE: 50,000 make-and-break
cycles at full load.
- INSULATION RESISTANCE: 1,000M ohm min.
- DIELECTRIC STRENGTH: 1000V RMS @sea level
- OPERATING TEMP.: -30°C to 85°C



E-SWITCH®

TITLE		700SP7B20M7QEC1BLK		
SCALE	DATE	DR	DWG	REV
2:1	3/24/04	AR	XT0124P	A

A	13861	RELEASED FOR PRODUCTION	3/24/04	AR
REV.	ECN No.	DESCRIPTION	DATE	CHKD

THE INFORMATION CONTAINED IN THIS DOCUMENT
IS PROPRIETARY TO E-SWITCH AND IS
NOT TO BE COPIED OR TRANSFERRED