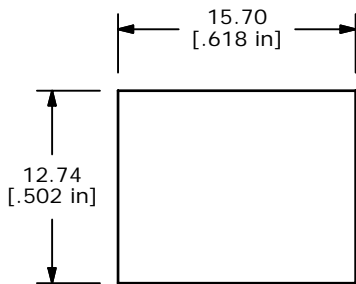
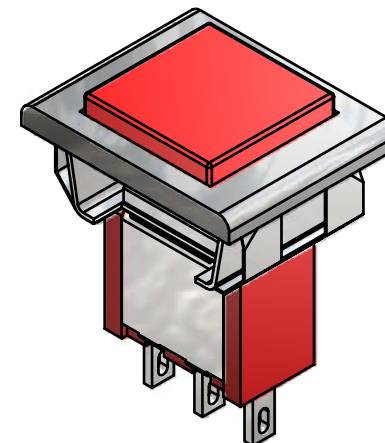
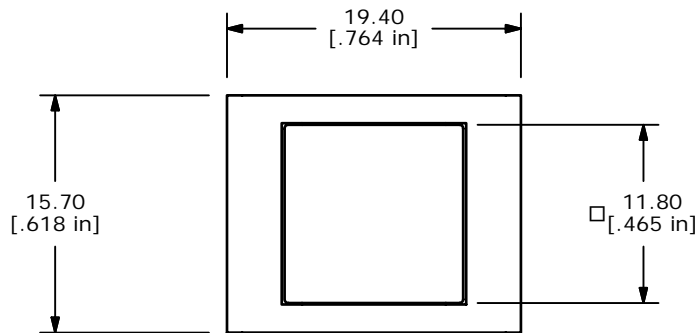


SWITCH FUNCTION	
POS. 1	POS. 2
ON	(ON)
1-3	1-2

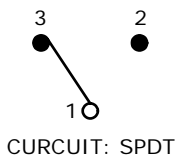
(ON)=MOMENTARY



PANEL MOUNTING

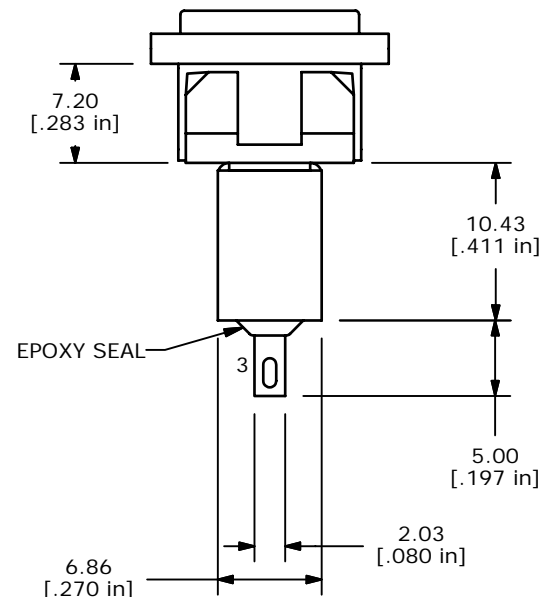
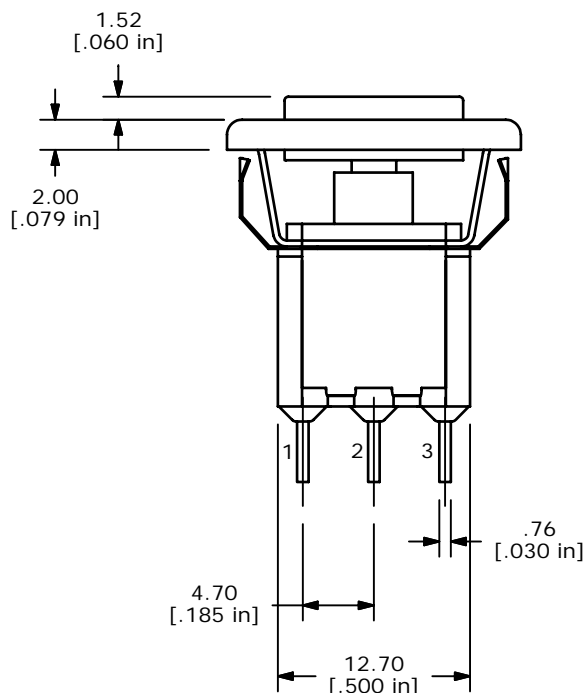


ISOMETRIC



NOTE:

1. ALL DIMENSIONS IN MM [INCH]
2. GENERAL TOLERANCE: X.X=±0.4  
X.XX=±0.25
3. TERMINAL NUMBERS FOR REF ONLY
- ▲ 4. PLATING MATERIAL: GOLD
5. RATING: 0.4VA MAX. @ 20VDC OR AC
6. ELECTRIC LIFE: 50,000 MAKE-AND-BREAK CYCLES AT FULL LOAD.
7. INSULATION RESISTANCE: 1,000 MEGA-OHM MIN.
8. DIELECTRIC STRENGTH: 1,000 V RMS @SEA LEVEL.
9. OPERATING TEMP.: -30°C to 85°C
11. 2002/95/EC (ROHS) COMPLIANT
10. ▲ DENOTES CRITICAL PARAMETER.
11. 2002/95/EC (ROHS) COMPLIANT



B	16557	FIXED TERMINATION	10/20/2006	TN
A	16156	RELEASED FOR PRODUCTION	6/19/06	CT
REV	PCR NO	DESCRIPTION	DATE	BY

<b>E-SWITCH®</b>				
TITLE 700SP7M1REAP2REDBLK				
SCALE	DATE	DR	DWG	REV
2:1	6/19/2006	CT	T711999	B

THE INFORMATION CONTAINED IN THIS DOCUMENT IS PROPRIETARY TO E-SWITCH AND IS NOT TO BE COPIED OR TRANSFERRED