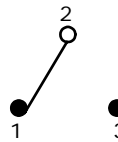


P.C.B. LAYOUT

SWITCH FUNCTION	
POS. 1	POS. 2
ON	(ON)
2-1	2-3

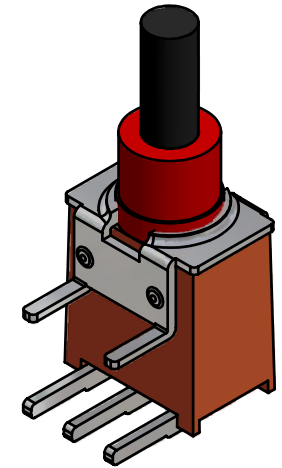
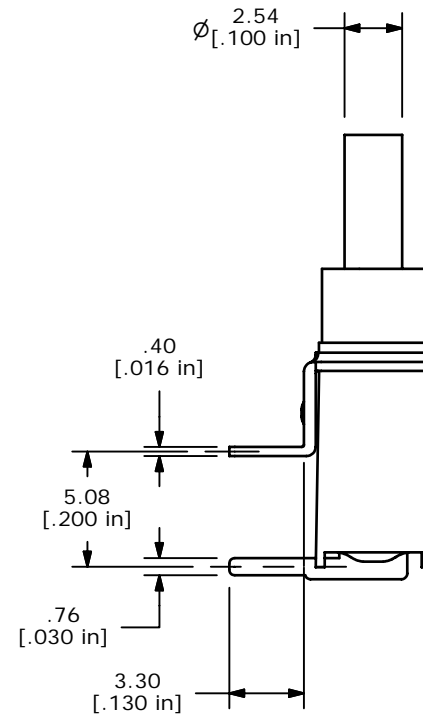
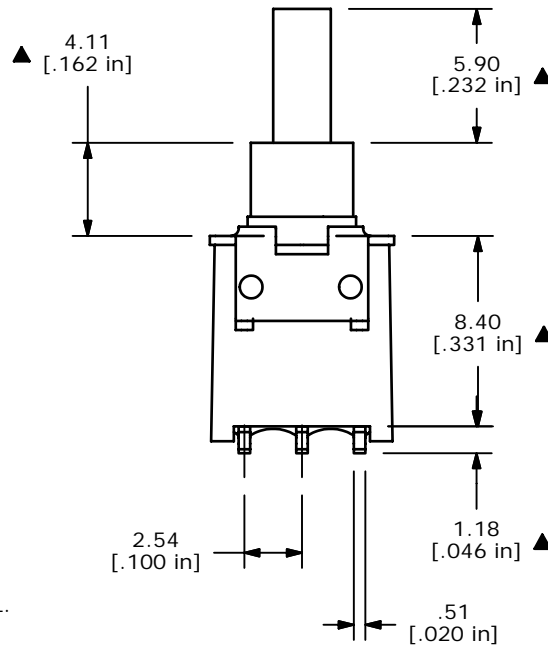
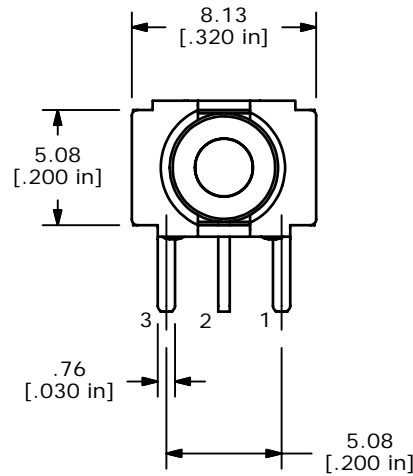
(ON)=MOMENTARY



CIRCUIT

NOTES:

1. ALL DIMENSIONS IN MM [INCH]
2. GENERAL TOLERANCE: X.X=±0.4
X.XX=±0.25
3. TERMINAL NUMBERS FOR REF ONLY
- ▲ 4. PLATING MATERIAL: SILVER
5. RATING: 1A @120VAC OR 28VDC
6. ELECTRIC LIFE: 50,000 MAKE-AND-BREAK CYCLES AT FULL LOAD.
7. INSULATION RESISTANCE: 1,000 MΩ MIN.
8. DIELECTRIC STRENGTH: 1,000 V RMS @SEA LEVEL.
9. OPERATING TEMP.: -30°C to 85°C
10. ▲ DENOTES CRITICAL PARAMETER.



ISOMETRIC

D	15247	ADDED DIM AND TERMINAL I.D.	9/7/05	PH
C	15144	CHANGED DIM.& UPDATED NOTES	8/5/05	PV
B	14966	REVISED AND REDRAWN	5/27/05	JB
REV	PCR NO	DESCRIPTION	DATE	BY

THE INFORMATION CONTAINED IN THIS DOCUMENT IS PROPRIETARY TO E-SWITCH AND IS NOT TO BE COPIED OR TRANSFERRED



TITLE 800AWSP8M6QE

SCALE 3:1

DATE 8/2/1999

DR MM

DWG T833025

REV D