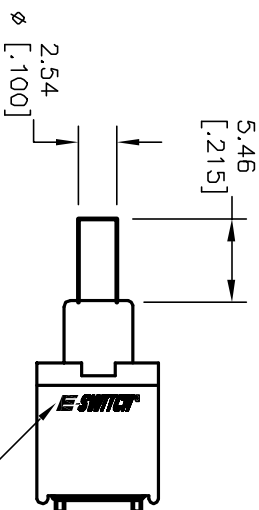
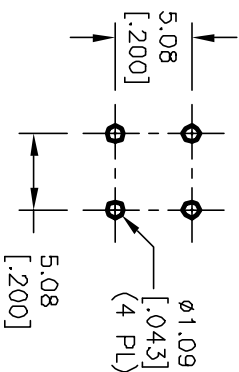
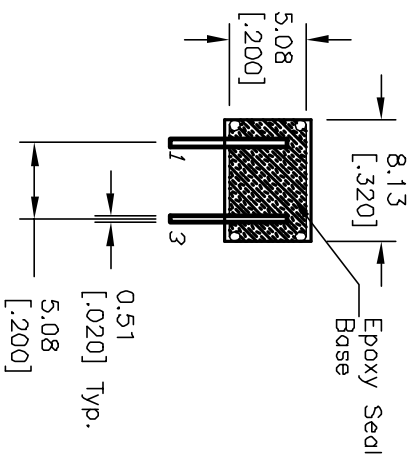
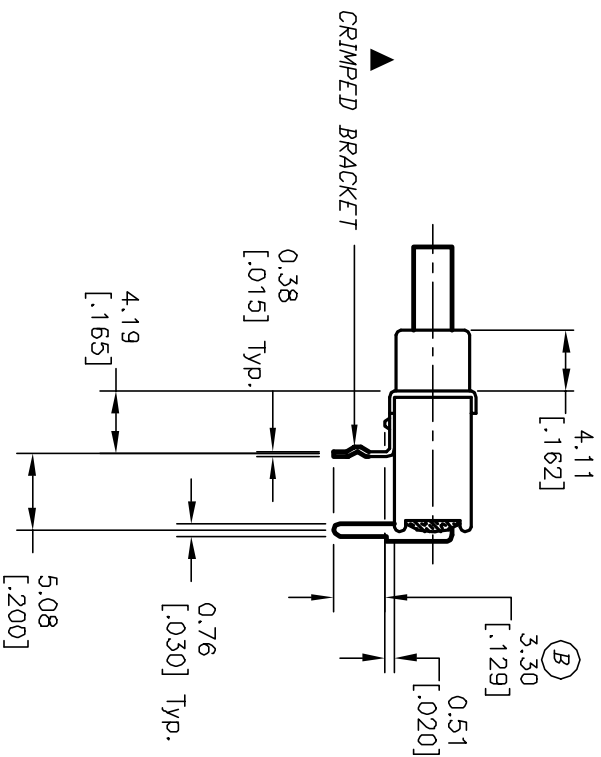
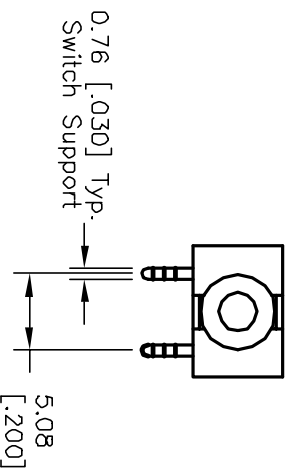


CONTACT CONFIGURATION
CIRCUIT: SPST

[OFF] [ON]
() = Momentary



RECOMMENDED P.C.B. LAYOUT



NOTES:

1. ALL DIMENSIONS IN MM [INCH]
2. GENERAL TOLERANCE: X.X=±0.4 X.XX=±0.25
3. TERM. NOS. FOR REF. ONLY
4. RATING: 1A @120VAC or 28VDC
5. FIXED TERM. MOVING CONTACT:
Copper Alloy W/ Silver Plate.
6. ELECTRICAL LIFE: 50,000 make-and-break cycle at full load.
7. DIELECTRIC STRENGTH: 1,000 V RMS @sed level.
8. OPERATING TEMP.: -30°C to 85°C

B	12120	DIMENSION WAS 3.5mm	5/6/02	CC
A	12075	RELEASED FOR PRODUCTION	4/18/02	CC
REV.	ECN NO.	DESCRIPTION	DATE	CHK'D

TITLE		SCALE		DATE		DR		DWG		REV	
800A WSP-9 M61 Q E		2:1		4/18/02		CC		T833023		B	
E-SWITCH®											

THE INFORMATION CONTAINED IN THIS DOCUMENT IS PRELIMINARY AND IS NOT TO BE COPIED OR TRANSMITTED