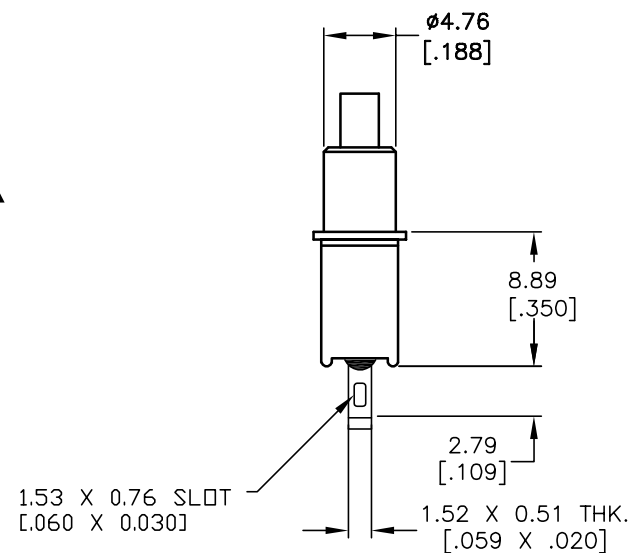
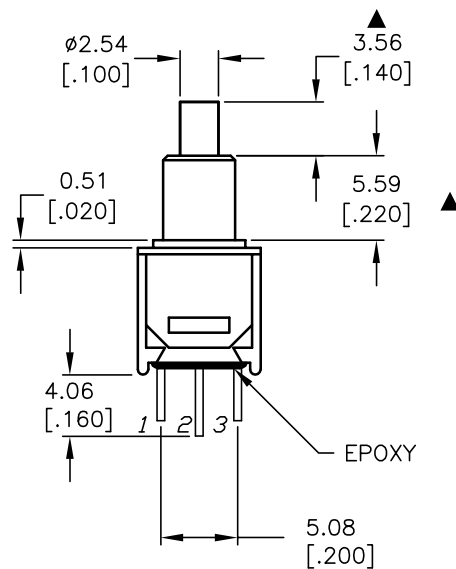


CIRCUIT: SPDT

SWITCH FUNCTION	
ON	<ON>
2-1	2-3

< > = MOMENTARY



NOTES:

1. ALL DIMENSIONS IN MM [INCH]
2. GENERAL TOLERANCE: X.X=±0.4  
X.XX=±0.25
3. TERM. NOS. FOR REF. ONLY
4. RATING: 3A @120V or 28VDC;  
1A @250VAC
- ▲ 5. FIXED TERM. & MOVING CONTACT:  
Copper Alloy w/SILVER plate.
6. CONTACT RESISTANCE:  
20mILLI-ohms initial @2-4VDC.
7. ELECTRICAL LIFE: 60,000 make-and-break  
cycles at full load.
8. INSULATION RESISTANCE: 1,000M ohm min.
9. DIELECTRIC STRENGTH: 1000V RMS @sea level
10. OPERATING TEMP.: -30°C to 85°C
11. ▲ DENOTES CRITICAL PARAMETER.

**E-SWITCH®**

TITLE		800SP8B7M1QE		
SCALE	DATE	DR	DWG	REV
2:1	12/4/03	AR	T822015	A

A	13638	RELEASED FOR PRODUCTION	12/4/03	AR
REV.	ECN No.	DESCRIPTION	DATE	CHKD
<small>THE INFORMATION CONTAINED IN THIS DOCUMENT IS PROPRIETARY TO E-SWITCH AND IS NOT TO BE COPIED OR TRANSFERRED</small>				