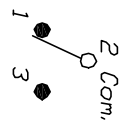


RECOMMENDED PANEL LAYOUT



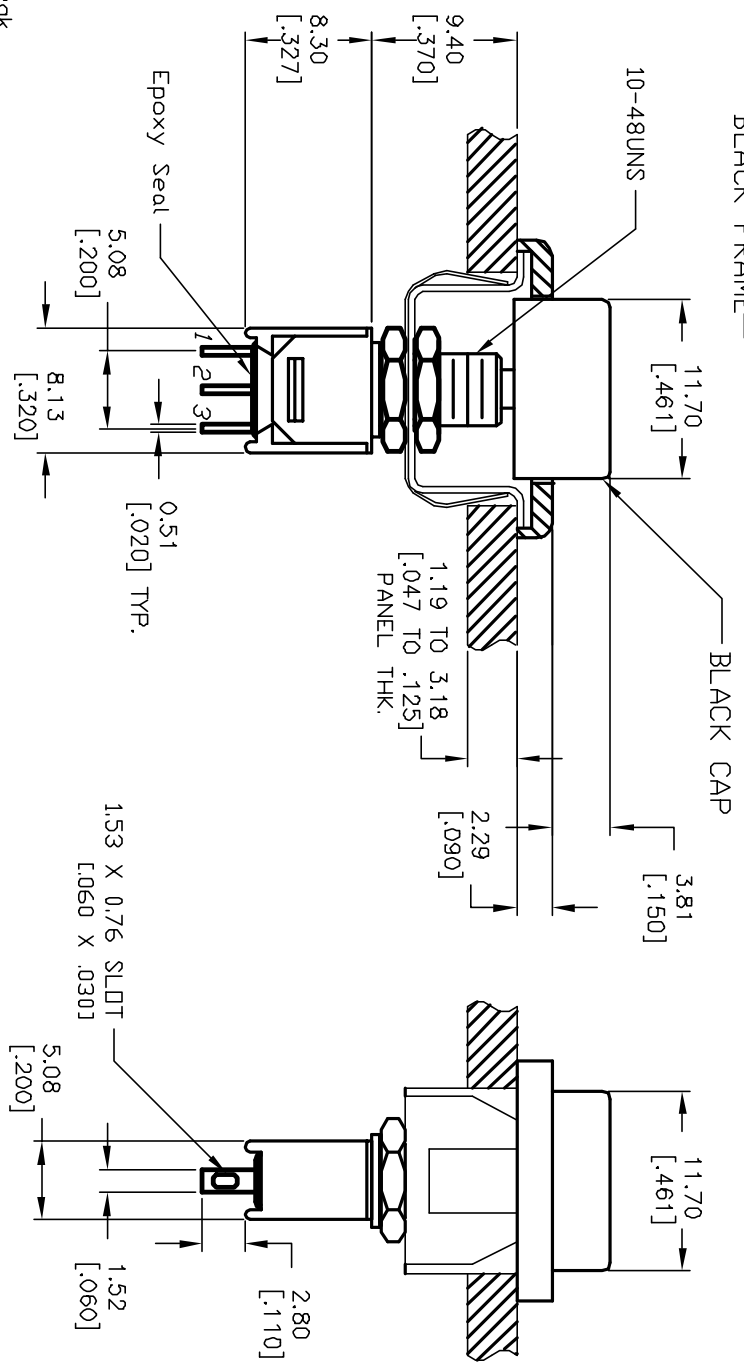
CIRCUIT: SPDT

SWITCH FUNCTION	DN	UP
2-1	2-3	

( > ) =MOMENTARY

NOTES:

1. ALL DIMENSIONS IN MM [INCH]
2. GENERAL TOLERANCE: X.X=±0.4  
X.XX=±0.25
3. TERM. NOS. FOR REF. ONLY
4. RATING: 3A @120V or 28VDC;  
1A @250VAC
5. FIXED TERM. & MOVING CONTACT:  
Copper Alloy w/SILVER plate.
6. CONTACT RESISTANCE:  
20mILLI-ohms initial @2-4VDC.
7. ELECTRICAL LIFE: 60,000 make-and-break  
cycles at full load.
8. INSULATION RESISTANCE: 1,000M ohm min.
9. DIELECTRIC STRENGTH: 1000V RMS @sea level
10. OPERATING TEMP.: -30°C to 85°C



REV.	ECN No.	DESCRIPTION	DATE	CHKD
B	12095	REVISED AND REDRAWN	4/25/02	CJB

TITLE	SCALE	DATE	DR	DWG	REV
800 SP-8 M1 Q E DP1 -BLACK/BLACK	2:1	4/25/02	CJB	T822005	B



THE INFORMATION CONTAINED IN THIS DOCUMENT IS PROPRIETARY TO E-SWITCH AND IS NOT TO BE COPIED OR TRANSFERRED