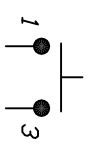
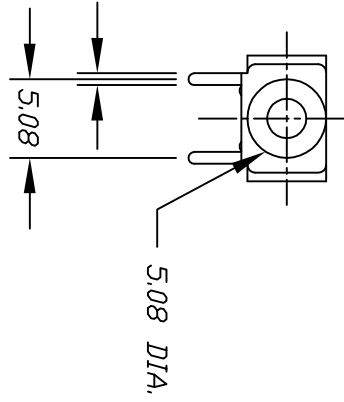
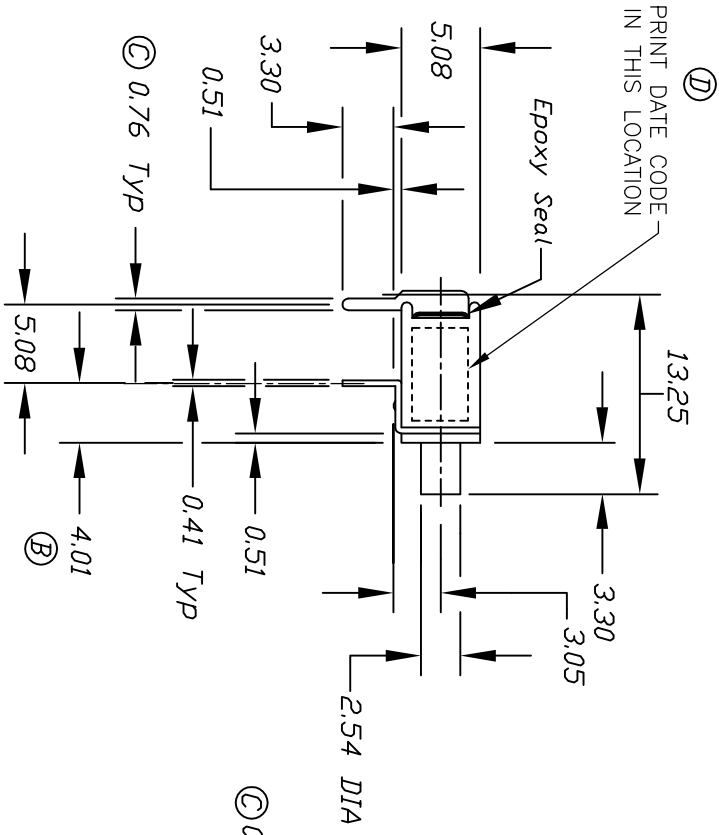
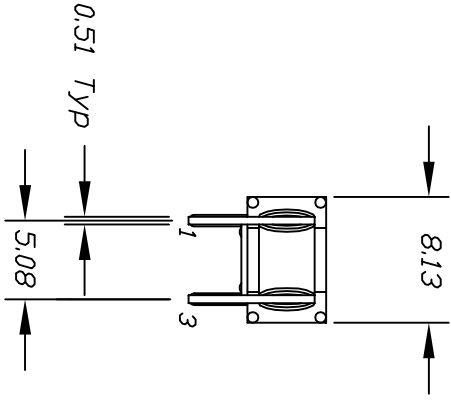
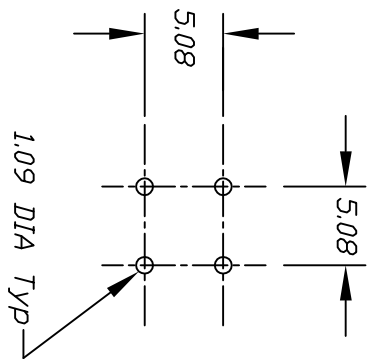


RECOMMEND P.C.B. LAYOUT



CIRCUIT: SPST  
CONTACT CONFIGURATION

OFF (DN)

< > =Momentary

- NOTES:
1. ALL DIMENSIONS IN MM
  2. GENERAL TOLERANCE: 0.0=±0.4  
0.00=±0.25
  3. TERM. NOS. FOR REF. ONLY
  4. CONTACT RATING: 0.4(VA) max. @20VAC or DC max.
  5. FIXED TERM. & MOVING CONTACT: Cu alloy w/ Au plate  
over Ni plate.
  6. ELECTRICAL LIFE: 50,000 make-and-break cycles  
at full load.
  7. INSULATION RESISTANCE: 1,000M ohm min.
  8. DIELECTRIC STRENGTH: 1,000 V RMS @sea level.
  9. OPERATING TEMP.: -30°C to 85°C
  10. DATE CODE FORMAT: WEEK 01-52 / YEAR XX (min.)
  11. 2002/95/EC (ROHS) COMPLIANT

PRINT DATE CODE  
IN THIS LOCATION

D	18158	ADD DATE CODE PRINTING	6/26/08	BLR
C	15238	CHANGED DIMS	9/2/05	PH
B	15084	DIMENSION 4.01 WAS 4.30	7/21/05	RC
REV.	ECN No.	DESCRIPTION	DATE	CHKD

TITLE		E-SWITCH	
800 SP9 B10 M6 R E		SCALE	2:1
DATE	2/17/00	DR	MM
DWG	T811037	REV	D

THE INFORMATION CONTAINED IN THIS DOCUMENT  
IS PROPRIETARY TO E-SWITCH AND IS  
NOT TO BE COPIED OR TRANSFERRED