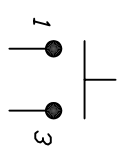
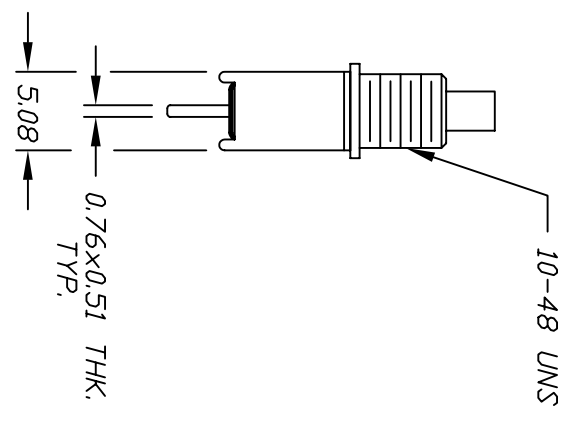
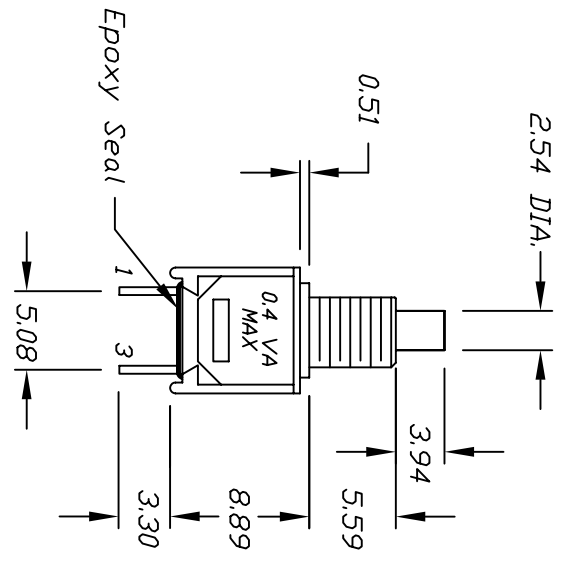


RECOMMEND P.C.B. HOLES



CIRCUIT: SPST  
CONTACT CONFIGURATION  
OFF <DN>

< >=Momentary

- NOTES:
1. ALL DIMENSIONS IN MM
  2. TERM. NOS. FOR REF ONLY
  3. RATING: 0.4 VA Max. @20 VAC or DC Max.
  4. 2002/95/EC (ROHS) COMPLIANT

REV. B		15875		EDIT ACTUATOR HEIGHT		3/17/06		PH	
REV. A		RELEASED FOR PRODUCTION		DESCRIPTION		DATE		CHKD	
THE INFORMATION CONTAINED IN THIS DOCUMENT IS PROPRIETARY TO E-SWITCH AND IS NOT TO BE COPIED OR TRANSFERRED									
TOLERANCES		0.0		±0.4		0.00		±0.25	
TITLE		SCALE		DATE		DR		DWG	
800 SP-9 B5 M2 R E		2:1		4/18/97		MM		T811009	
E-SWITCH®		REV B							