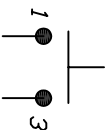


RECOMMENDED PCB LAYOUT

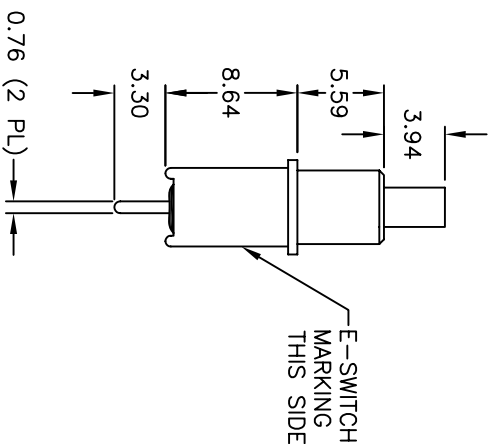
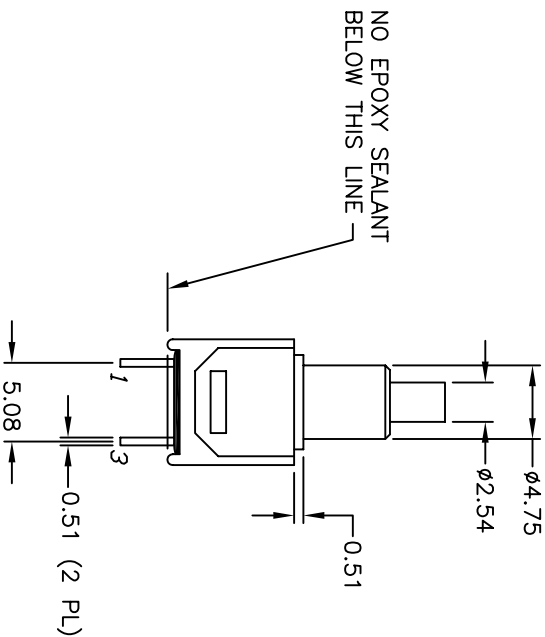


CIRCUIT: SPST

$\langle DFF \rangle \langle ON \rangle$

$\langle \rangle$ = MOMENTARY

CONTACT CONFIGURATION



NOTES:

1. ALL DIMENSIONS IN MM
2. GENERAL TOLERANCE: 0.0= \pm 0.4
0.00= \pm 0.25
3. TERM. NOS. FOR REF. ONLY
4. CONTACT RATING: 0.4VA MAX. @20VAC OR DC MAX
5. ELECTRICAL LIFE: 60,000 make-and-break cycles at full load.
- ▲ 6. FIXED TERMINAL & MOVING CONTACT:
COPPER ALLOY W/GOLD PLATE
OVER NICKLE PLATE
7. DIELECTRIC STRENGTH: 1,000V RMS @sea level
8. OPERATING TEMP.: -30°C to 85°C
9. ▲ DENOTES CRITICAL PARAMETER

E-SWITCH®

800SP9B7M2RE

B	16058	EDIT ACTUATOR HEIGHT	5/30/06	CT
A	15988	RELEASED FOR PRODUCTION	4/26/06	CT
REV.	ECN No.	DESCRIPTION	DATE	CHKD

TITLE		SCALE	DATE	DR	DWG	REV
800SP9B7M2RE		2:1	4/26/06	CT	T811045	B

THE INFORMATION CONTAINED IN THIS DOCUMENT IS PROPRIETARY TO E-SWITCH AND IS NOT TO BE COPIED OR TRANSFERRED