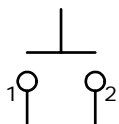


RECOMMENDED P.C.B. LAYOUT

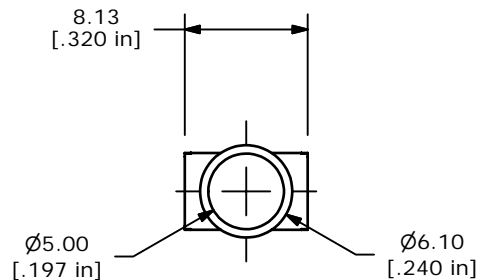
| POS. 1 | POS. 2 |
|--------|--------|
| | |
| OFF | (ON) |
| OPEN | 1-3 |
| | |

() = MOMENTARY

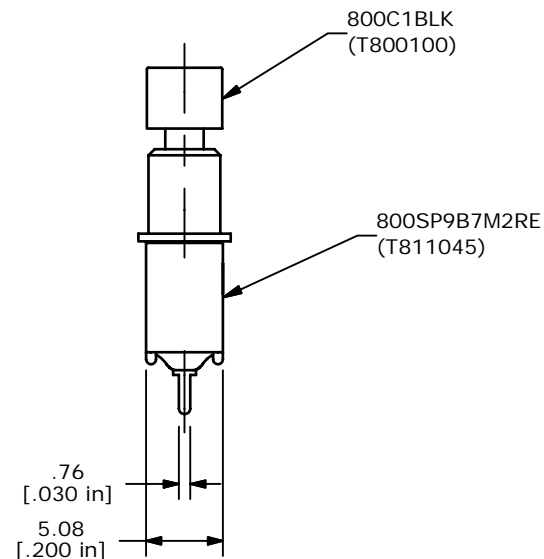
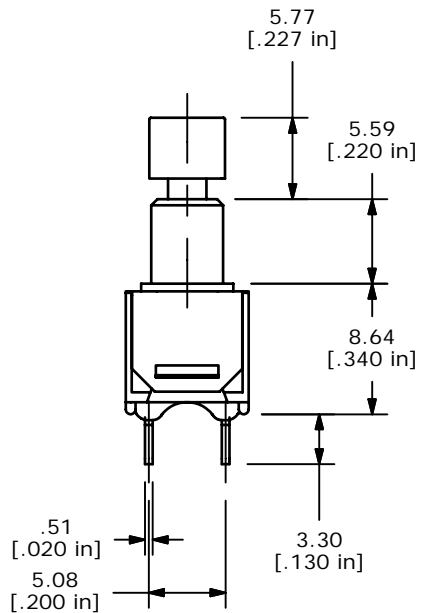
SWITCH FUNCTION



CIRCUIT: SPST



ISOMETRIC



NOTES:

- ALL DIMENSIONS IN MM [INCH]
- GENERAL TOLERANCE: x.x=±0.4
▲ x.xx=±0.25
- TERM. NOS. FOR REF. ONLY
- CONTACT RATING: 0.4VA MAX. @20VAC OR DC MAX.
- FIXED TERMINAL & MOVING CONTACT:
COPPER ALLOY W/GOLD PLATE
OVER NICKLE PLATE
- ELECTRICAL LIFE: 60,000 MAKE AND BREAK
▲ CYCLE AT FUL LOAD
- DIELECTRIC STRENGTH: 1,000 V RMS @ SEA LEVEL
- OPERATING TEMP.: -30°C TO 85°C
- ▲ DENOTES CRITICAL PARAMETER



| REV | PCR NO | DESCRIPTION | DATE | BY |
|-----|--------|-------------------|---------|----|
| B | 16202 | DIM 5.77 WAS 5.39 | 7/3/06 | CT |
| A | 15988 | NEW PART RELEASE | 4/26/06 | CT |

| | | | | |
|-------------------------|----------------|-------|-------------|-------|
| TITLE 800SP9B7M2REC1BLK | | | | |
| SCALE 2:1 | DATE 4/26/2006 | DR CT | DWG XT0063P | REV B |

THE INFORMATION CONTAINED IN THIS DOCUMENT IS PROPRIETARY TO E-SWITCH AND IS NOT TO BE COPIED OR TRANSFERRED