

# SERIES 800 SWITCHES

## PUSHBUTTON SWITCHES - SUB-MINIATURE PANEL MOUNT



### HOW TO ORDER

**SERIES**  
**800**

**MODEL NO.**  
SP9  
DP8

**TERMINATION**  
M1

**CONTACT MATERIAL**  
Q = Silver  
R = Gold

**SEAL**  
E

E = Epoxy  
Sealed at  
Base of  
Terminal

**CAP**  
OP1

**CAP COLOR**  
BLK = Black  
RED = Red  
WHT = White

**FRAME COLOR**  
BLK = Black  
RED = Red  
WHT = White



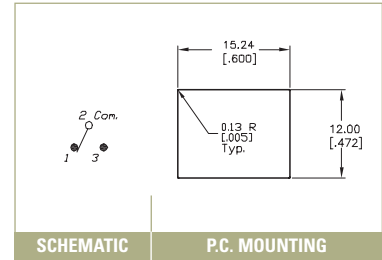
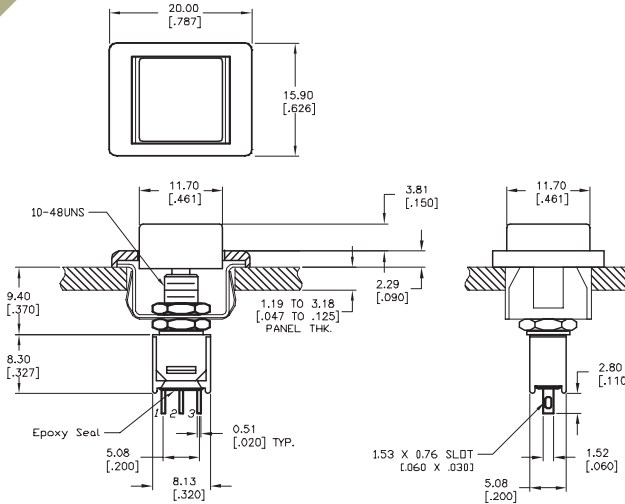
### Example Ordering Number

800-SP9-M1-Q-E-OP1-BLK-BLK

Specifications subject to change without notice.

### OP1

#### PANEL MOUNT



SCHEMATIC

P.C. MOUNTING

### CONTACT MATERIAL OPTIONS

**Q**

Fixed Terminal:	Silver plated copper alloy
Moving Contact:	Silver plated copper alloy
Rating:	3 AMPS @ 120 VAC; 1 AMP @ 250VAC

**R**

Fixed Terminal:	Copper alloy with gold plate over nickel plate
Moving Contact:	Copper alloy with gold plate over nickel plate
Rating:	0.4 VA max. @ 20 VAC or DC max.