

SPLASH PROOF PUSHBUTTON SWITCHES

8P

FEATURES

The 8P Splash Proof Push Button Switch is intended for panel sealing and is so designed that with O-rings it can prevent moisture and dust from entering through the panel. Because a Locking Ring cannot be used for panel sealing, the bushing is D-cut to prevent the switch from turning.

The moisture proof and dust proof performance will not be adversely affected if the switch is mounted in a round 6.5 mm diameter panel mounting hole.

SPECIFICATIONS

Rating	Max. rating	6A 125VAC (Resistive)
	Min. rating	10mA 5VAC/DC
Initial contact resistance	10mΩ max. (1A 2~4VDC)	
Initial dielectric strength	1,000VAC 1 minute	
Initial Insulation resistance	1,000MΩ min. (500VDC)	
Electrical life	Alternate type	40,000 operations
	Momentary type	25,000 operations
Operating temperature range	-20°C ~ +85°C	
Storage temperature range	-40°C ~ +85°C	

PART NUMBERING

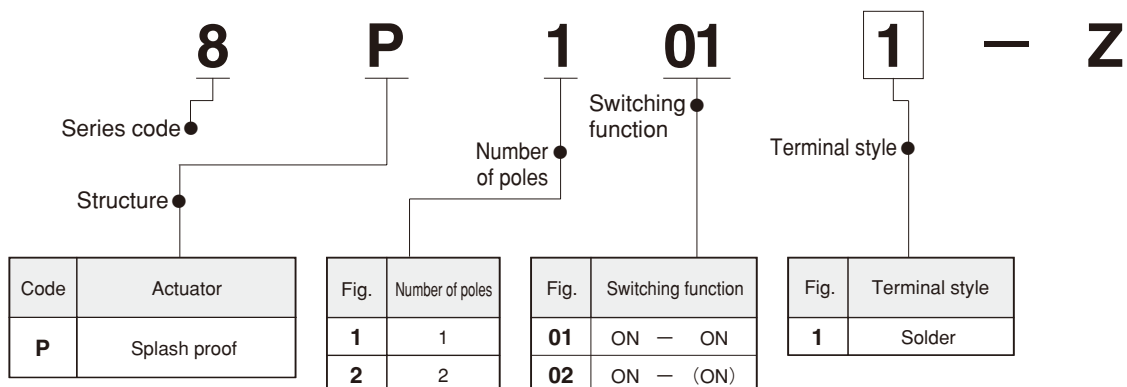


TABLE OF PART NUMBERS

Terminal style	Switching function	Number of poles	
		1-pole	2-pole
S/D (Solder)	ON - ON	Ⓢ 8P1011-Z	★ 8P2011-Z
	ON - (ON)	Ⓢ 8P1021-Z	8P2021-Z

★: Made-to-order items.

PC HOLE LAYOUTS

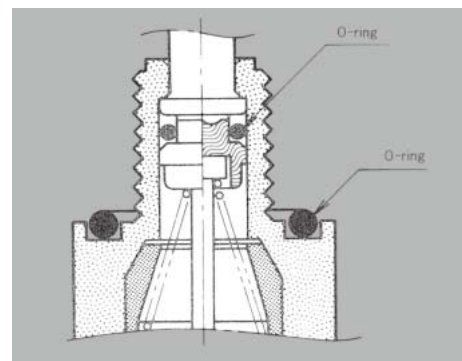
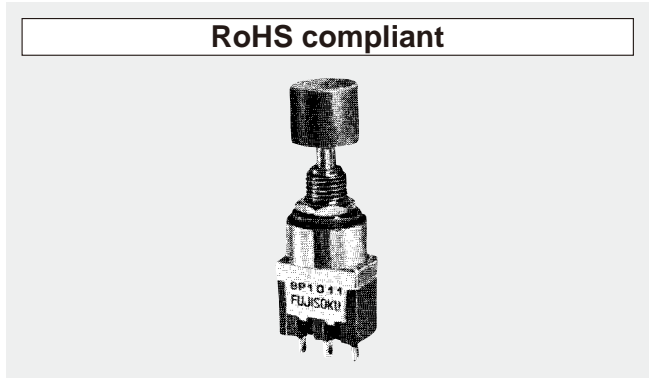
Page 43.

PANEL CUT - OUT DIMENSIONS

Page 43.

※ Please contact us if you can't find your preferable combination in the table of part numbers.

■ Specifications are subject to change without notice. Specifications in this catalog are for reference. The formal specification sheets will be submitted upon request.



The splash proof push button switch is a panel seal switch to seal against ingress of moisture, etc. However, it cannot be used in water.

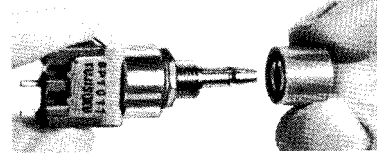
8P SPLASH PROOF PUSHBUTTON SWITCHES

STANDARD ACCESSORIES

Hex Nut	Lockwasher	O-Ring
140008010241	140008030051	140000610076
Nickel plated	Zinc plated	Nitrile rubber (Black)

COLOR BUTTON MOUNTING

Snap-in type button can be easily installed and removed.

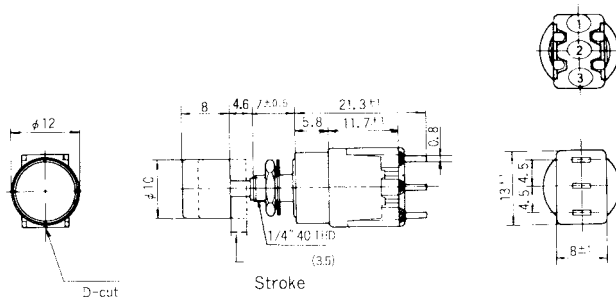


Part name	Color Button			
Dimension A	φ 8	φ 10	φ 15	
Dimension B	7.5	8	10	
	White	140000481420	140000480082	140000480088
	Red	140000481421	140000480083	140000480089
	Black	140000481422	140000480081	140000480090
	Gray	140000481423	140000480084	140000480091
	Green	140000481424	140000480085	140000480092
	Blue	140000481425	140000480086	140000480093
	Orange	140000481426	140000480087	140000480094
	Yellow	140000481427	140000480371	140000480372

● Hex Nut, Lockwasher & O-ring (1 pce each) come with a switch, unmounted. A Color Button shall be specified by button part No.

OUTLINE DIMENSIONS

SPDT

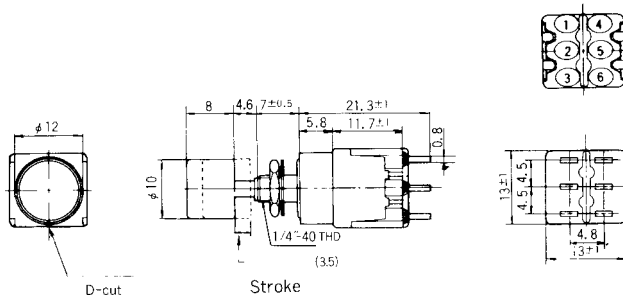
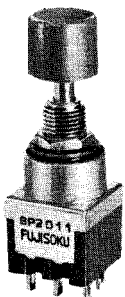


Terminal number not shown on box.

Switching function		
Part No.		
※ 8P101■-Z	ON	ON
8P102■-Z	ON	(ON)
Connecting terminals	2-3	2-1

※Circuit changes whenever pushed.

DPDT



Terminal number not shown on box.

Switching function		
Part No.		
※ 8P201■-Z	ON	ON
8P202■-Z	ON	(ON)
Connecting terminals	2-3 5-6	2-1 5-4

※Circuit changes whenever pushed.

※(ON) : Momentary