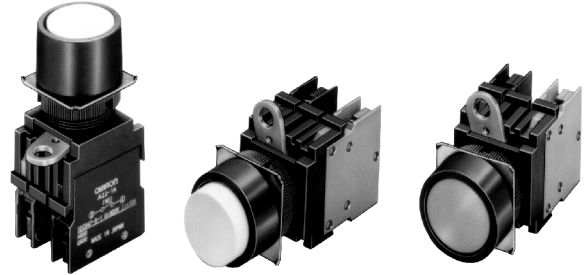


Pushbutton Switches - 22 mm

A22

Install in 22-mm dia. or 25-mm dia.
Panel Cutout

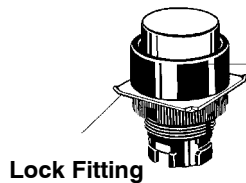
- Locking lever ensures easy mounting and removal of switch unit
- Increase wiring efficiency and decrease mounting depth with three-row mounting of switch unit contact blocks
- Finger protection mechanism on switch unit provided as a standard feature
- Use optional 25-mm dia. ring to install in 25-mm dia. panel cutouts
- IP65 oil resistant: EN60947-5-1



This product was manufactured at OMRON Izumo. OMRON Izumo has obtained approvals from international certification bodies for its quality system and environmental control system.

Ordering Information

■ CONSTRUCTION



Lock Fitting

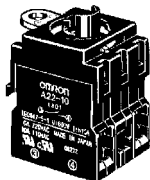
Operational Unit

- **Available Colors**
Non-illuminated:
Red, green, yellow, white, blue, black
Illuminated:
Red, green, yellow, white, blue



Lamp

- **Light Source**
LED Lamp
Incandescent Lamp



Switch Unit

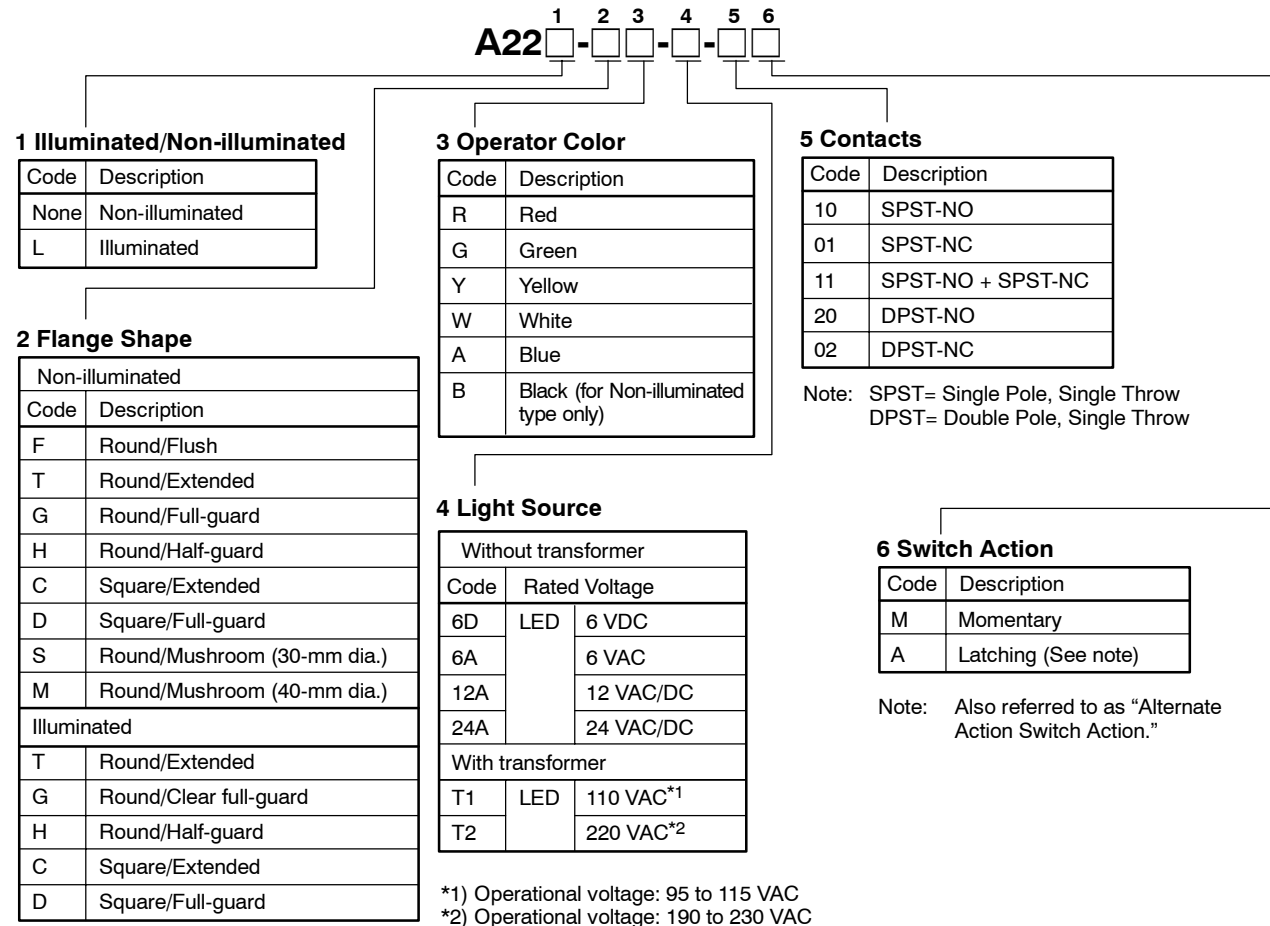
- **Contacts**
SPST-NO, SPST-NC, SPST-NO + SPST-NC, DPST-NO, DPST-NC
- **Lighting Method**
Non-illuminated
Illuminated (without transformer)
Illuminated (with transformer)

(Illuminated model shown)

(Actual color of yellow pushbuttons more closely resembles amber than true yellow.)

■ PART NUMBER LEGEND (COMPLETE ASSEMBLY)

Shipped as a set which includes the Operational Unit, LED (Illuminated type only), and switch unit with contact blocks.



*1) Operational voltage: 95 to 115 VAC
*2) Operational voltage: 190 to 230 VAC

Note: With Transformer types the LED lamp (24 VAC/DC) can be lit by directly applying 110 VAC/DC (220 VAC/DC) to the lamp terminal. The LED is the 24-VAC/DC type.



(Actual color of yellow pushbuttons more closely resembles amber than true yellow.)

■ PUSHBUTTON SWITCH (COMPLETE ASSEMBLY)

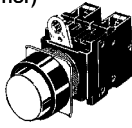
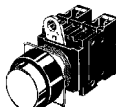
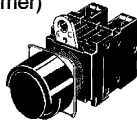
Non-illuminated (Round Type)

Description			Part number	
Appearance	Contacts	Operator color	Momentary operation	Latching operation
Round Flush type 	SPST-NO	Insert one of the following letters into the box □. R (red) Y (yellow) G (green) W (white) A (blue) B (black)	A22-F□-10M	A22-F□-10A
	SPST-NC		A22-F□-01M	A22-F□-01A
	SPST-NO + SPST-NC		A22-F□-11M	A22-F□-11A
	DPST-NO		A22-F□-20M	A22-F□-20A
	DPST-NC		A22-F□-02M	A22-F□-02A
Round/Extended type 	SPST-NO		A22-T□-10M	A22-T□-10A
	SPST-NC		A22-T□-01M	A22-T□-01A
	SPST-NO + SPST-NC		A22-T□-11M	A22-T□-11A
	DPST-NO		A22-T□-20M	A22-T□-20A
	DPST-NC		A22-T□-02M	A22-T□-02A
Round/Full-guard type 	SPST-NO	A22-G□-10M	A22-G□-10A	
	SPST-NC	A22-G□-01M	A22-G□-01A	
	SPST-NO + SPST-NC	A22-G□-11M	A22-G□-11A	
	DPST-NO	A22-G□-20M	A22-G□-20A	
	DPST-NC	A22-G□-02M	A22-G□-02A	
Round/Half-guard type 	SPST-NO	Insert one of the following letters into the box □. R (red) Y (yellow) G (green) W (white) A (blue) B (black)	A22-H□-10M	A22-H□-10A
	SPST-NC		A22-H□-01M	A22-H□-01A
	SPST-NO + SPST-NC		A22-H□-11M	A22-H□-11A
	DPST-NO		A22-H□-20M	A22-H□-20A
	DPST-NC		A22-H□-02M	A22-H□-02A
Small-size Mushroom type (30-mm dia. head) 	SPST-NO		A22-S□-10M	A22-S□-10A
	SPST-NC		A22-S□-01M	A22-S□-01A
	SPST-NO + SPST-NC		A22-S□-11M	A22-S□-11A
	DPST-NO		A22-S□-20M	A22-S□-20A
	DPST-NC		A22-S□-02M	A22-S□-02A
Medium-size Mushroom type (40-mm dia head) 	SPST-NO	A22-M□-10M	A22-M□-10A	
	SPST-NC	A22-M□-01M	A22-M□-01A	
	SPST-NO + SPST-NC	A22-M□-11M	A22-M□-11A	
	DPST-NO	A22-M□-20M	A22-M□-20A	
	DPST-NC	A22-M□-02M	A22-M□-02A	

Non-illuminated (Square Type)

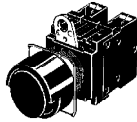
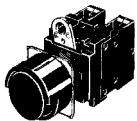
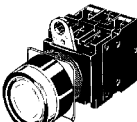
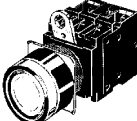
Description			Part number	
Appearance	Contacts	Operator color	Momentary operation	Latching operation
Square/Extended type 	SPST-NO	Insert one of the following letters into the box □. R (red) Y (yellow) G (green) W (white) A (blue) B (black)	A22-C□-10M	A22-C□-10A
	SPST-NC		A22-C□-01M	A22-C□-01A
	SPST-NO + SPST-NC		A22-C□-11M	A22-C□-11A
	DPST-NO		A22-C□-20M	A22-C□-20A
	DPST-NC		A22-C□-02M	A22-C□-02A
Square/Full guard type 	SPST-NO		A22-D□-10M	A22-D□-10A
	SPST-NC		A22-D□-01M	A22-D□-01A
	SPST-NO + SPST-NC		A22-D□-11M	A22-D□-11A
	DPST-NO		A22-D□-20M	A22-D□-20A
	DPST-NC		A22-D□-02M	A22-D□-02A

Illuminated (Round Type)

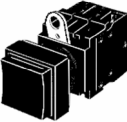

Description				Part number	
Appearance	Contacts	Rated voltage	Illuminated operator color	Momentary operation	Latching operation
Round/Extended type LED lighting (Without transformer) 	SPST-NO	6 VDC	Insert one of the following letters into the box □. R (red) Y (yellow) G (green) W (white) A (blue)	A22L-T□-6D-10M	A22L-T□-6D-10A
		6 VAC		A22L-T□-6A-10M	A22L-T□-6A-10A
		12 VAC/DC		A22L-T□-12A-10M	A22L-T□-12A-10A
		24 VAC/DC		A22L-T□-24A-10M	A22L-T□-24A-10A
	SPST-NC	6 VDC		A22L-T□-6D-01M	A22L-T□-6D-01A
		6 VAC		A22L-T□-6A-01M	A22L-T□-6A-01A
		12 VAC/DC		A22L-T□-12A-01M	A22L-T□-12A-01A
		24 VAC/DC		A22L-T□-24A-01M	A22L-T□-24A-01A
	SPST-NO + SPST-NC	6 VDC		A22L-T□-6D-11M	A22L-T□-6D-11A
		6 VAC		A22L-T□-6A-11M	A22L-T□-6A-11A
		12 VAC/DC		A22L-T□-12A-11M	A22L-T□-12A-11A
		24 VAC/DC		A22L-T□-24A-11M	A22L-T□-24A-11A
	DPST-NO	6 VDC		A22L-T□-6D-20M	A22L-T□-6D-20A
		6 VAC		A22L-T□-6A-20M	A22L-T□-6A-20A
		12 VAC/DC		A22L-T□-12A-20M	A22L-T□-12A-20A
		24 VAC/DC		A22L-T□-24A-20M	A22L-T□-24A-20A
	DPST-NC	6 VDC		A22L-T□-6D-02M	A22L-T□-6D-02A
		6 VAC		A22L-T□-6A-02M	A22L-T□-6A-02A
		12 VAC/DC		A22L-T□-12A-02M	A22L-T□-12A-02A
		24 VAC/DC		A22L-T□-24A-02M	A22L-T□-24A-02A
Round/Extended type LED transformer lighting (With transformer) 	SPST-NO	110 VAC	A22L-T□-T1-10M	A22L-T□-T1-10A	
		220 VAC	A22L-T□-T2-10M	A22L-T□-T2-10A	
	SPST-NC	110 VAC	A22L-T□-T1-01M	A22L-T□-T1-01A	
		220 VAC	A22L-T□-T2-01M	A22L-T□-T2-01A	
	SPST-NO + SPST-NC	110 VAC	A22L-T□-T1-11M	A22L-T□-T1-11A	
		220 VAC	A22L-T□-T2-11M	A22L-T□-T2-11A	
	DPST-NO	110 VAC	A22L-T□-T1-20M	A22L-T□-T1-20A	
		220 VAC	A22L-T□-T2-20M	A22L-T□-T2-20A	
	DPST-NC	110 VAC	A22L-T□-T1-02M	A22L-T□-T1-02A	
		220 VAC	A22L-T□-T2-02M	A22L-T□-T2-02A	
	Round/Half-guard type LED lighting (Without transformer) 	SPST-NO	6 VDC	A22L-H□-6D-10M	A22L-H□-6D-10A
			6 VAC	A22L-H□-6A-10M	A22L-H□-6A-10A
			12 VAC/DC	A22L-H□-12A-10M	A22L-H□-12A-10A
			24 VAC/DC	A22L-H□-24A-10M	A22L-H□-24A-10A
		SPST-NC	6 VDC	A22L-H□-6D-01M	A22L-H□-6D-01A
			6 VAC	A22L-H□-6A-01M	A22L-H□-6A-01A
12 VAC/DC			A22L-H□-12A-01M	A22L-H□-12A-01A	
24 VAC/DC			A22L-H□-24A-01M	A22L-H□-24A-01A	
SPST-NO + SPST-NC		6 VDC	A22L-H□-6D-11M	A22L-H□-6D-11A	
		6 VAC	A22L-H□-6A-11M	A22L-H□-6A-11A	
		12 VAC/DC	A22L-H□-12A-11M	A22L-H□-12A-11A	
		24 VAC/DC	A22L-H□-24A-11M	A22L-H□-24A-11A	

(This table continues on the next page.)

Ordering Information Table - continued from previous page

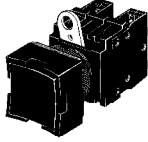
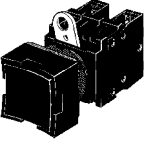
Description				Part number		
Appearance	Contacts	Rated voltage	Illuminated operator color	Momentary operation	Latching operation	
Round/Half-guard type LED lighting (Without transformer) 	DPST-NO	6 VDC	Insert one of the following letters into the box □. R (red) Y (yellow) G (green) W (white) A (blue)	A22L-H□-6D-20M	A22L-H□-6D-20A	
		6 VAC		A22L-H□-6A-20M	A22L-H□-6A-20A	
		12 VAC/DC		A22L-H□-12A-20M	A22L-H□-12A-20A	
		24 VAC/DC		A22L-H□-24A-20M	A22L-H□-24A-20A	
	DPST-NC	6 VDC		A22L-H□-6D-02M	A22L-H□-6D-02A	
		6 VAC		A22L-H□-6A-02M	A22L-H□-6A-02A	
		12 VAC/DC		A22L-H□-12A-02M	A22L-H□-12A-02A	
		24 VAC/DC		A22L-H□-24A-02M	A22L-H□-24A-02A	
	Round/Half-guard type LED lighting (With transformer) 	SPST-NO		110 VAC	A22L-H□-T1-10M	A22L-H□-T1-10A
				220 VAC	A22L-H□-T2-10M	A22L-H□-T2-10A
		SPST-NC		110 VAC	A22L-H□-T1-01M	A22L-H□-T1-01A
				220 VAC	A22L-H□-T2-01M	A22L-H□-T2-01A
SPST-NO + SPST-NC		110 VAC	A22L-H□-T1-11M	A22L-H□-T1-11A		
		220 VAC	A22L-H□-T2-11M	A22L-H□-T2-11A		
DPST-NO		110 VAC	A22L-H□-T1-20M	A22L-H□-T1-20A		
		220 VAC	A22L-H□-T2-20M	A22L-H□-T2-20A		
DPST-NC		110 VAC	A22L-H□-T1-02M	A22L-H□-T1-02A		
		220 VAC	A22L-H□-T2-02M	A22L-H□-T2-02A		
Round/Clear full-guard type LED lighting (Without transformer) 		SPST-NO	6 VDC	A22L-G□-6D-10M	A22L-G□-6D-10A	
			6 VAC	A22L-G□-6A-10M	A22L-G□-6A-10A	
	12 VAC/DC		A22L-G□-12A-10M	A22L-G□-12A-10A		
	24 VAC/DC		A22L-G□-24A-10M	A22L-G□-24A-10A		
	SPST-NC	6 VDC	A22L-G□-6D-01M	A22L-G□-6D-01A		
		6 VAC	A22L-G□-6A-01M	A22L-G□-6A-01A		
		12 VAC/DC	A22L-G□-12A-01M	A22L-G□-12A-01A		
		24 VAC/DC	A22L-G□-24A-01M	A22L-G□-24A-01A		
	SPST-NO + SPST-NC	6 VDC	A22L-G□-6D-11M	A22L-G□-6D-11A		
		6 VAC	A22L-G□-6A-11M	A22L-G□-6A-11A		
		12 VAC/DC	A22L-G□-12A-11M	A22L-G□-12A-11A		
		24 VAC/DC	A22L-G□-24A-11M	A22L-G□-24A-11A		
	DPST-NO	6 VDC	A22L-G□-6D-20M	A22L-G□-6D-20A		
		6 VAC	A22L-G□-6A-20M	A22L-G□-6A-20A		
		12 VAC/DC	A22L-G□-12A-20M	A22L-G□-12A-20A		
		24 VAC/DC	A22L-G□-24A-20M	A22L-G□-24A-20A		
	DPST-NC	6 VDC	A22L-G□-6D-02M	A22L-G□-6D-02A		
		6 VAC	A22L-G□-6A-02M	A22L-G□-6A-02A		
		12 VAC/DC	A22L-G□-12A-02M	A22L-G□-12A-02A		
		24 VAC/DC	A22L-G□-24A-02M	A22L-G□-24A-02A		
	Round/Clear full-guard type LED lighting (With transformer) 	SPST-NO	110 VAC	A22L-G□-T1-10M	A22L-G□-T1-10A	
			220 VAC	A22L-G□-T2-10M	A22L-G□-T2-10A	
		SPST-NC	110 VAC	A22L-G□-T1-01M	A22L-G□-T1-01A	
			220 VAC	A22L-G□-T2-01M	A22L-G□-T2-01A	
SPST-NO + SPST-NC		110 VAC	A22L-G□-T1-11M	A22L-G□-T1-11A		
		220 VAC	A22L-G□-T2-11M	A22L-G□-T2-11A		
DPST-NO		110 VAC	A22L-G□-T1-20M	A22L-G□-T1-20A		
		220 VAC	A22L-G□-T2-20M	A22L-G□-T2-20A		
DPST-NC		110 VAC	A22L-G□-T1-02M	A22L-G□-T1-02A		
		220 VAC	A22L-G□-T2-02M	A22L-G□-T2-02A		

Illuminated (Square Type)

Description				Part number	
Appearance	Contacts	Rated voltage	Illuminated operator color	Momentary operation	Latching operation
Square/Extended type LED lighting (Without transformer) 	SPST-NO	6 VDC	Insert one of the following letters into the box □. R (red) Y (yellow) G (green) W (white) A (blue)	A22L-C□-6D-10M	A22L-C□-6D-10A
		6 VAC		A22L-C□-6A-10M	A22L-C□-6A-10A
		12 VAC/DC		A22L-C□-12A-10M	A22L-C□-12A-10A
		24 VAC/DC		A22L-C□-24A-10M	A22L-C□-24A-10A
	SPST-NC	6 VDC		A22L-C□-6D-01M	A22L-C□-6D-01A
		6 VAC		A22L-C□-6A-01M	A22L-C□-6A-01A
		12 VAC/DC		A22L-C□-12A-01M	A22L-C□-12A-01A
		24 VAC/DC		A22L-C□-24A-01M	A22L-C□-24A-01A
	SPST-NO + SPST-NC	6 VDC		A22L-C□-6D-11M	A22L-C□-6D-11A
		6 VAC		A22L-C□-6A-11M	A22L-C□-6A-11A
		12 VAC/DC		A22L-C□-12A-11M	A22L-C□-12A-11A
		24 VAC/DC		A22L-C□-24A-11M	A22L-C□-24A-11A
	DPST-NO	6 VDC		A22L-C□-6D-20M	A22L-C□-6D-20A
		6 VAC		A22L-C□-6A-20M	A22L-C□-6A-20A
		12 VAC/DC		A22L-C□-12A-20M	A22L-C□-12A-20A
		24 VAC/DC		A22L-C□-24A-20M	A22L-C□-24A-20A
	DPST-NC	6 VDC		A22L-C□-6D-02M	A22L-C□-6D-02A
		6 VAC		A22L-C□-6A-02M	A22L-C□-6A-02A
		12 VAC/DC		A22L-C□-12A-02M	A22L-C□-12A-02A
		24 VAC/DC		A22L-C□-24A-02M	A22L-C□-24A-02A
Square/Extended type LED lighting (With transformer) 	SPST-NO	110 VAC	A22L-C□-T1-10M	A22L-C□-T1-10A	
		220 VAC	A22L-C□-T2-10M	A22L-C□-T2-10A	
	SPST-NC	110 VAC	A22L-C□-T1-01M	A22L-C□-T1-01A	
		220 VAC	A22L-C□-T2-01M	A22L-C□-T2-01A	
	SPST-NO + SPST-NC	110 VAC	A22L-C□-T1-11M	A22L-C□-T1-11A	
		220 VAC	A22L-C□-T2-11M	A22L-C□-T2-11A	
	DPST-NO	110 VAC	A22L-C□-T1-20M	A22L-C□-T1-20A	
		220 VAC	A22L-C□-T2-20M	A22L-C□-T2-20A	
	DPST-NC	110 VAC	A22L-C□-T1-02M	A22L-C□-T1-02A	
		220 VAC	A22L-C□-T2-02M	A22L-C□-T2-02A	

(This table continues on the next page.)

Ordering Information Table - continued from previous page

Description				Part number	
Appearance	Contacts	Rated voltage	Illuminated operator color	Momentary operation	Latching operation
Square/Full-guard type LED lighting (Without transformer) 	SPST-NO	6 VDC	Insert one of the following letters into the box □. R (red) Y (yellow) G (green) W (white) A (blue)	A22L-D□-6D-10M	A22L-D□-6D-10A
		6 VAC		A22L-D□-6A-10M	A22L-D□-6A-10A
		12 VAC/DC		A22L-D□-12A-10M	A22L-D□-12A-10A
		24 VAC/DC		A22L-D□-24A-10M	A22L-D□-24A-10A
	SPST-NC	6 VDC	A22L-D□-6D-01M	A22L-D□-6D-01A	
		6 VAC	A22L-D□-6A-01M	A22L-D□-6A-01A	
		12 VAC/DC	A22L-D□-12A-01M	A22L-D□-12A-01A	
		24 VAC/DC	A22L-D□-24A-01M	A22L-D□-24A-01A	
	SPST-NO + SPST-NC	6 VDC	A22L-D□-6D-11M	A22L-D□-6D-11A	
		6 VAC	A22L-D□-6A-11M	A22L-D□-6A-11A	
		12 VAC/DC	A22L-D□-12A-11M	A22L-D□-12A-11A	
		24 VAC/DC	A22L-D□-24A-11M	A22L-D□-24A-11A	
	DPST-NO	6 VDC	A22L-D□-6D-20M	A22L-D□-6D-20A	
		6 VAC	A22L-D□-6A-20M	A22L-D□-6A-20A	
		12 VAC/DC	A22L-D□-12A-20M	A22L-D□-12A-20A	
		24 VAC/DC	A22L-D□-24A-20M	A22L-D□-24A-20A	
	DPST-NC	6 VDC	A22L-D□-6D-02M	A22L-D□-6D-02A	
		6 VAC	A22L-D□-6A-02M	A22L-D□-6A-02A	
		12 VAC/DC	A22L-D□-12A-02M	A22L-D□-12A-02A	
		24 VAC/DC	A22L-D□-24A-02M	A22L-D□-24A-02A	
Square/Full-guard type LED lighting (Without transformer) 	SPST-NO	110 VAC	A22L-D□-T1-10M	A22L-D□-T1-10A	
		220 VAC	A22L-D□-T2-10M	A22L-D□-T2-10A	
	SPST-NC	110 VAC	A22L-D□-T1-01M	A22L-D□-T1-01A	
		220 VAC	A22L-D□-T2-01M	A22L-D□-T2-01A	
	SPST-NO + SPST-NC	110 VAC	A22L-D□-T1-11M	A22L-D□-T1-11A	
		220 VAC	A22L-D□-T2-11M	A22L-D□-T2-11A	
	DPST-NO	110 VAC	A22L-D□-T1-20M	A22L-D□-T1-20A	
		220 VAC	A22L-D□-T2-20M	A22L-D□-T2-20A	
	DPST-NC	110 VAC	A22L-D□-T1-02M	A22L-D□-T1-02A	
		220 VAC	A22L-D□-T2-02M	A22L-D□-T2-02A	

Dimensions

Unit: mm (inch)

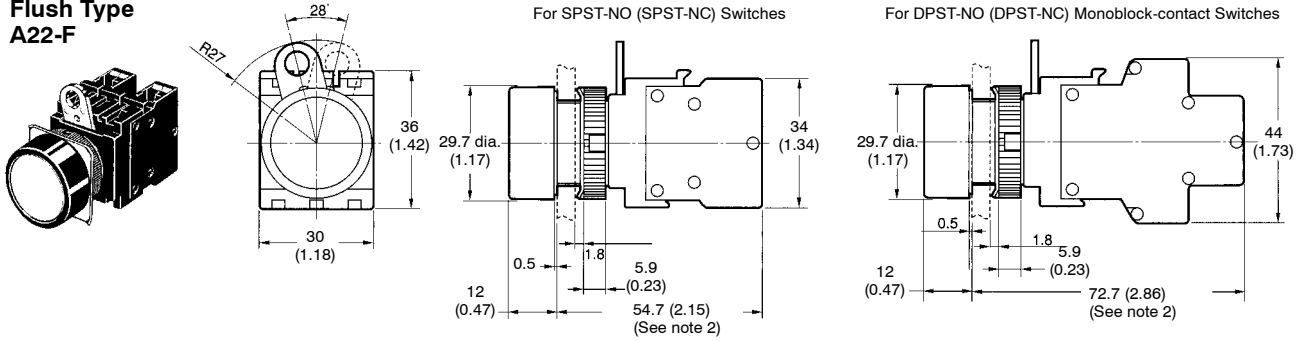
Note: 1. The following illustrations are for momentary operation.

2. Latching operation models are 9.2 mm (0.36 in) longer.

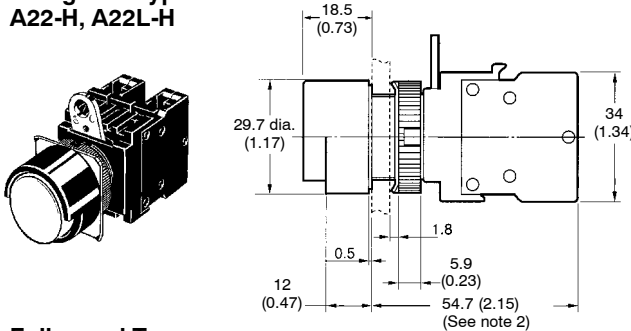
3. Illuminated models have the same dimensions as shown below, whether they are with transformers or without transformers.

■ ILLUMINATED/NON-ILLUMINATED PUSHBUTTON SWITCHES

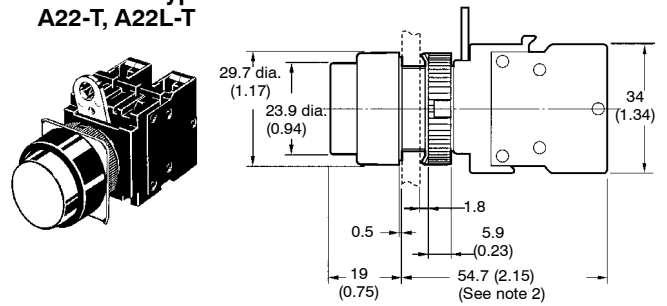
**Flush Type
A22-F**



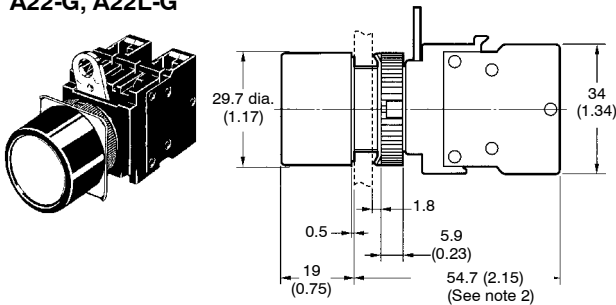
**Half-guard Type
A22-H, A22L-H**



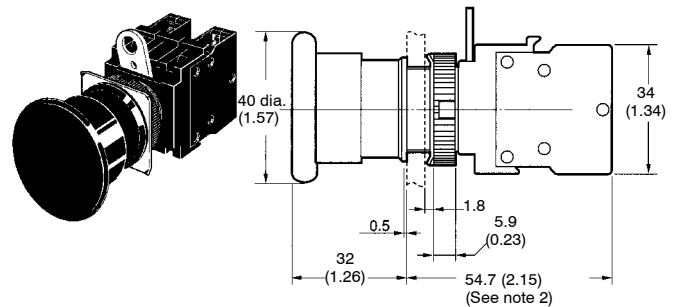
**Extended Type
A22-T, A22L-T**



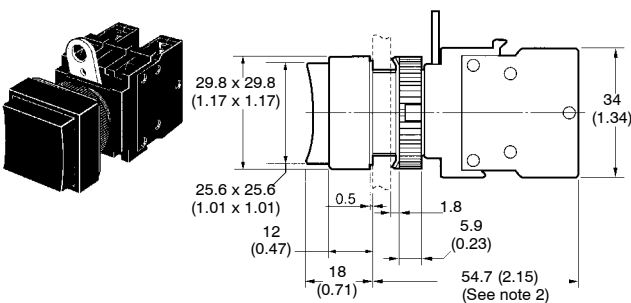
**Full-guard Type
A22-G, A22L-G**



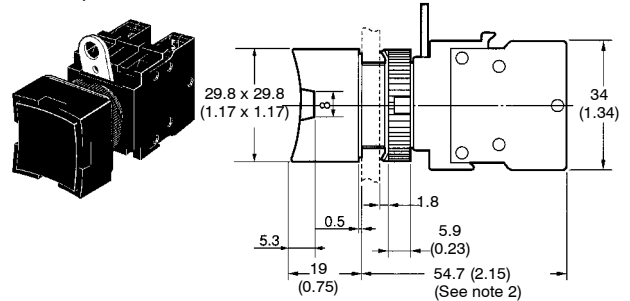
**40-dia. Mushroom Type
A22-M**



**Square/Extended Type
A22-C, A22L-C**

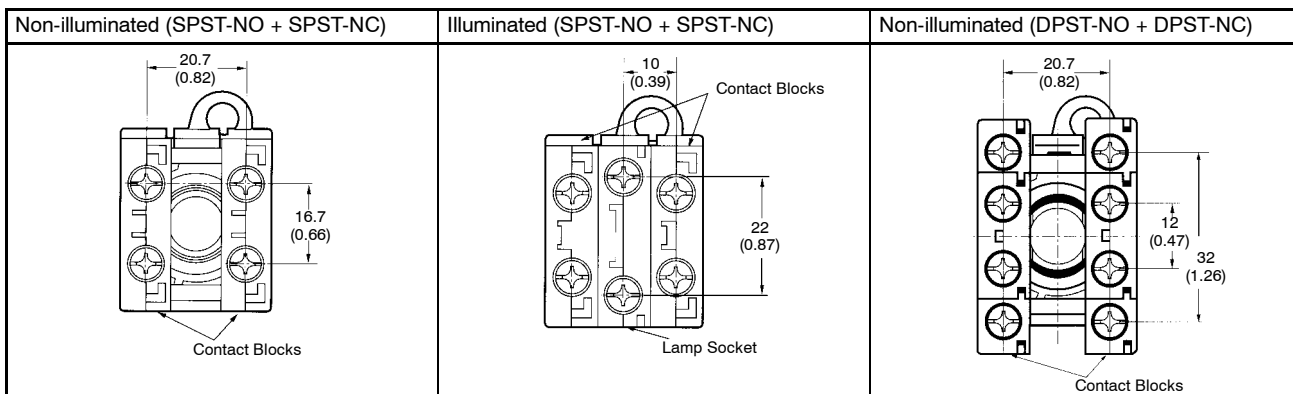


**Square Flush Type
A22-D, A22L-D**

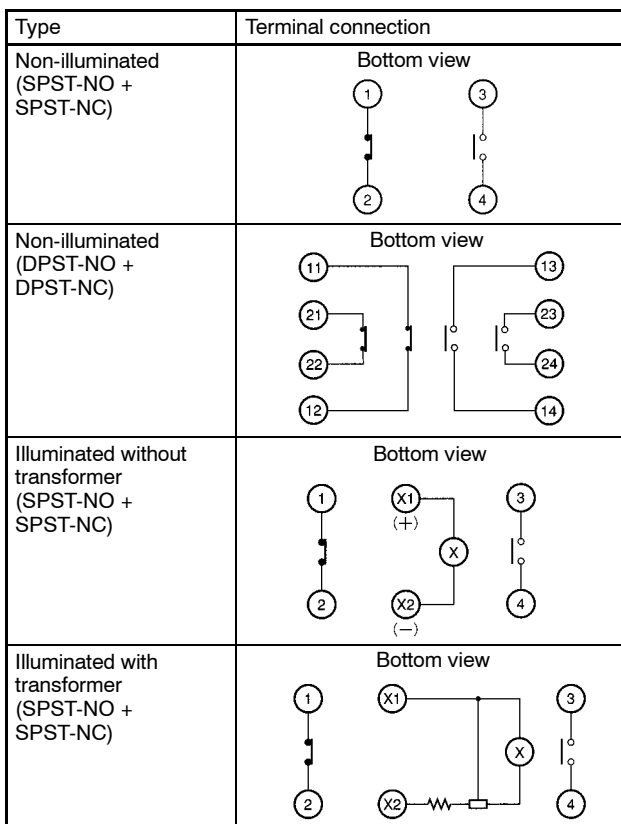


■ TERMINAL ARRANGEMENT

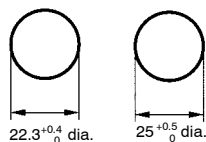
Terminal Arrangement (Bottom View)



■ TERMINAL CONNECTION



■ PANEL CUTOUT DIMENSIONS



Note: When applying a coating such as paint to a panel, the dimensions should be those after the application of the coating.
A lock fitting is provided as a standard item.

Note: For additional specifications and information refer to the *Common to all assemblies* section at the end of this publication.

Knob-type Selector Switch

A22S/W

Install in 22-mm dia. or 25-mm dia.
Panel Cutout

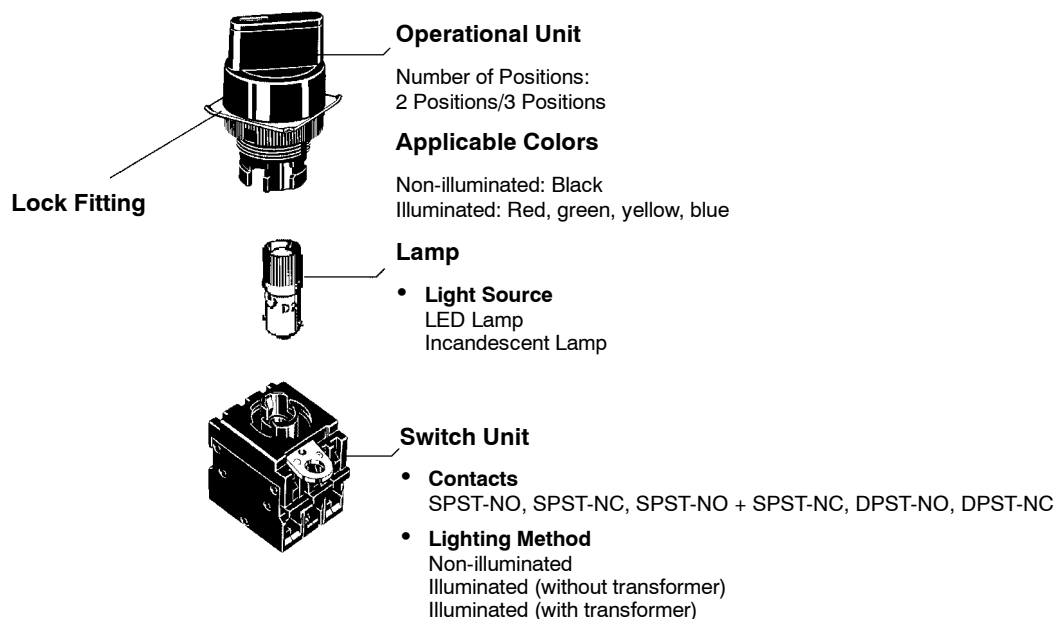
- Illuminated and Non-illuminated models
- Locking lever ensures easy mounting and removal of switch unit
- Increase wiring efficiency and decrease mounting depth with three-row mounting of switch unit contact blocks
- Finger-safe contact blocks
- Use optional 25-mm dia. ring to install in 25-mm dia. panel cutouts
- IP65



This product was manufactured at OMRON Izumo. OMRON Izumo has obtained approvals from international certification bodies for its quality system and environmental control system.

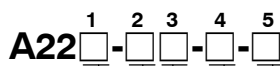
Ordering Information

■ CONSTRUCTION



■ PART NUMBER LEGEND

Shipped as a set which includes the Operational Unit, LED (Illuminated Type only), and Switch Unit.



1 Illuminated/Non-illuminated

Code	Description
S	Non-illuminated
W	Illuminated

3 Operator Color

Code	Description
None	Non-illuminated
R	Red
G	Green
Y	Yellow
A	Blue

5 Contacts

Code	Description
10	SPST-NO (*)
01	SPST-NC (*)
11	SPST-NO + SPST-NC
20	DPST-NO
02	DPST-NC

2 Number of Positions/Reset Method

Code	Description
2M	2 Positions/Maintained
2A	2 Positions/Spring return
3M	3 Positions/Maintained
3A	3 Positions/Spring return
C2M	2 Positions/Maintained extended lever
C2A	2 Positions/Spring return extended lever
C3M	3 Positions/Maintained extended lever
C3A	3 Positions/Spring return extended lever

4 Light Source

Without transformer		
Code	Rated Voltage	
None	Non-illuminated	
6D	LED	6 VDC
6A		6 VAC
12A		12 VAC/DC
24A		24 VAC/DC
With transformer		
None	Non-illuminated	
T1	LED	110 VAC*1
T2		220 VAC*2

Note: * for models with 2 Positions only

Note: SPST= Single Pole, Single Throw
DPST= Double Pole, Single Throw

*1) Operational voltage: 95 to 115 VAC

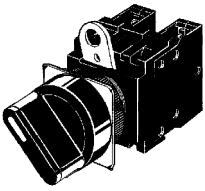



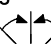
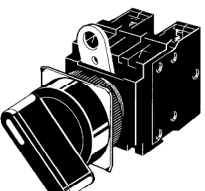



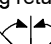
*2) Operational voltage: 190 to 230 VAC

Note: With transformer types, the LED lamp (24 VAC/DC) can be lit by directly applying 110 VAC/DC (220 VAC/DC) to the lamp terminal. The LED is a 24-VAC/DC type.

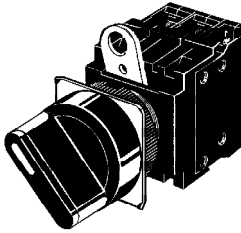


(Actual color of yellow selector switches more closely resembles amber than true yellow.)

■ KNOB-TYPE SELECTOR SWITCH

Non-illuminated

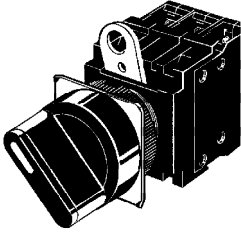

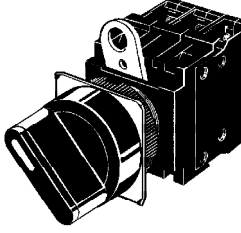

Appearance	Positions	Operating method	Contacts	Operator color	Part number				
Knob-type selector switch 	2 positions	Maintained 	SPST-NO	Black	A22S-2M-10				
			SPST-NC		A22S-2M-01				
			SPST-NO + SPST-NC		A22S-2M-11				
			DPST-NO		A22S-2M-20				
			DPST-NC		A22S-2M-02				
		Spring return 	SPST-NO		A22S-2A-10				
			SPST-NC		A22S-2A-01				
			SPST-NO + SPST-NC		A22S-2A-11				
			DPST-NO		A22S-2A-20				
			DPST-NC		A22S-2A-02				
	3 positions	Maintained 	SPST-NO + SPST-NC		A22S-3M-11				
			DPST-NO		A22S-3M-20				
			DPST-NC		A22S-3M-02				
		Spring return 	SPST-NO + SPST-NC		A22S-3A-11				
			DPST-NO		A22S-3A-20				
			DPST-NC		A22S-3A-02				
			Extended lever knob-type selector switch 		2 positions	Maintained 	SPST-NO	Black	A22S-C2M-10
							SPST-NC		A22S-C2M-01
SPST-NO + SPST-NC	A22S-C2M-11								
DPST-NO	A22S-C2M-20								
DPST-NC	A22S-C2M-02								
Spring return 	SPST-NO	A22S-C2A-10							
	SPST-NC	A22S-C2A-01							
	SPST-NO + SPST-NC	A22S-C2A-11							
	DPST-NO	A22S-C2A-20							
	DPST-NC	A22S-C2A-02							
3 positions	Maintained 	SPST-NO + SPST-NC	A22S-C3M-11						
		DPST-NO	A22S-C3M-20						
		DPST-NC	A22S-C3M-02						
	Spring return 	SPST-NO + SPST-NC	A22S-C3A-11						
		DPST-NO	A22S-C3A-20						
		DPST-NC	A22S-C3A-02						

Illuminated (Without Transformer)

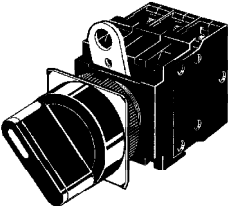




Appearance	Positions	Operating method	Contacts	Rated voltage	Operator color	Part number
Knob-type selector switch LED lighting (without transformer) 	2 positions	Maintained 	SPST-NO	6 VDC	Insert one of the following letters into the box <input type="checkbox"/> . R (red) Y (yellow) G (green) A (blue)	A22W-2M <input type="checkbox"/> -6D-10
				6 VAC		A22W-2M <input type="checkbox"/> -6A-10
				12 VAC/DC		A22W-2M <input type="checkbox"/> -12A-10
				24 VAC/DC		A22W-2M <input type="checkbox"/> -24A-10
			SPST-NC	6 VDC		A22W-2M <input type="checkbox"/> -6D-01
				6 VAC		A22W-2M <input type="checkbox"/> -6A-01
				12 VAC/DC		A22W-2M <input type="checkbox"/> -12A-01
				24 VAC/DC		A22W-2M <input type="checkbox"/> -24A-01
			SPST-NO + SPST-NC	6 VDC		A22W-2M <input type="checkbox"/> -6D-11
				6 VAC		A22W-2M <input type="checkbox"/> -6A-11
				12 VAC/DC		A22W-2M <input type="checkbox"/> -12A-11
				24 VAC/DC		A22W-2M <input type="checkbox"/> -24A-11
			DPST-NO	6 VDC		A22W-2M <input type="checkbox"/> -6D-20
				6 VAC		A22W-2M <input type="checkbox"/> -6A-20
				12 VAC/DC		A22W-2M <input type="checkbox"/> -12A-20
				24 VAC/DC		A22W-2M <input type="checkbox"/> -24A-20
		DPST-NC	6 VDC	A22W-2M <input type="checkbox"/> -6D-02		
			6 VAC	A22W-2M <input type="checkbox"/> -6A-02		
			12 VAC/DC	A22W-2M <input type="checkbox"/> -12A-02		
			24 VAC/DC	A22W-2M <input type="checkbox"/> -24A-02		
		Spring return 		SPST-NO	6 VDC	A22W-2A <input type="checkbox"/> -6D-10
					6 VAC	A22W-2A <input type="checkbox"/> -6A-10
					12 VAC/DC	A22W-2A <input type="checkbox"/> -12A-10
					24 VAC/DC	A22W-2A <input type="checkbox"/> -24A-10
				SPST-NC	6 VDC	A22W-2A <input type="checkbox"/> -6D-01
					6 VAC	A22W-2A <input type="checkbox"/> -6A-01
					12 VAC/DC	A22W-2A <input type="checkbox"/> -12A-01
					24 VAC/DC	A22W-2A <input type="checkbox"/> -24A-01
				SPST-NO + SPST-NC	6 VDC	A22W-2A <input type="checkbox"/> -6D-11
					6 VAC	A22W-2A <input type="checkbox"/> -6A-11
					12 VAC/DC	A22W-2A <input type="checkbox"/> -12A-11
					24 VAC/DC	A22W-2A <input type="checkbox"/> -24A-11
DPST-NO	6 VDC			A22W-2A <input type="checkbox"/> -6D-20		
	6 VAC			A22W-2A <input type="checkbox"/> -6A-20		
	12 VAC/DC			A22W-2A <input type="checkbox"/> -12A-20		
	24 VAC/DC			A22W-2A <input type="checkbox"/> -24A-20		
DPST-NC	6 VDC	A22W-2A <input type="checkbox"/> -6D-02				
	6 VAC	A22W-2A <input type="checkbox"/> -6A-02				
	12 VAC/DC	A22W-2A <input type="checkbox"/> -12A-02				
	24 VAC/DC	A22W-2A <input type="checkbox"/> -24A-02				

(This table continues on the next page.)

Ordering Information Table - continued from previous page

Appearance	Positions	Operating method	Contacts	Rated voltage	Operator color	Part number
Knob-type selector switch LED lighting (without transformer) 	3 positions	Maintained 	SPST-NO + SPST-NC	6 VDC	Insert one of the following letters into the box □. R (red) Y (yellow) G (green) A (blue)	A22W-3M□-6D-11
				6 VAC		A22W-3M□-6A-11
				12 VAC/DC		A22W-3M□-12A-11
				24 VAC/DC		A22W-3M□-24A-11
			DPST-NO	6 VDC		A22W-3M□-6D-20
				6 VAC		A22W-3M□-6A-20
				12 VAC/DC		A22W-3M□-12A-20
				24 VAC/DC		A22W-3M□-24A-20
			DPST-NC	6 VDC		A22W-3M□-6D-02
				6 VAC		A22W-3M□-6A-02
				12 VAC/DC		A22W-3M□-12A-02
				24 VAC/DC		A22W-3M□-24A-02
Knob-type selector switch LED lighting (without transformer) 	3 positions	Spring return 	SPST-NO + SPST-NC	6 VDC	Insert one of the following letters into the box □. R (red) Y (yellow) G (green) A (blue)	A22W-3A□-6D-11
				6 VAC		A22W-3A□-6A-11
				12 VAC/DC		A22W-3A□-12A-11
				24 VAC/DC		A22W-3A□-24A-11
			DPST-NO	6 VDC		A22W-3A□-6D-20
				6 VAC		A22W-3A□-6A-20
				12 VAC/DC		A22W-3A□-12A-20
				24 VAC/DC		A22W-3A□-24A-20
			DPST-NC	6 VDC		A22W-3A□-6D-02
				6 VAC		A22W-3A□-6A-02
				12 VAC/DC		A22W-3A□-12A-02
				24 VAC/DC		A22W-3A□-24A-02

Illuminated (With Transformer)

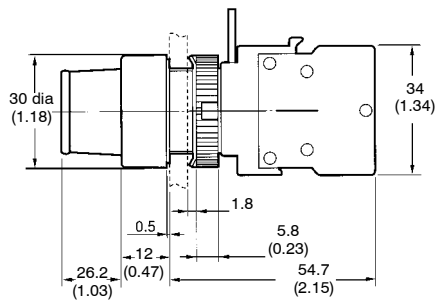
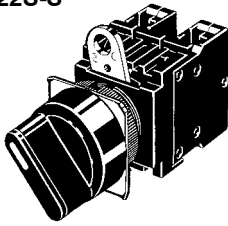
Appearance	Positions	Operating method	Contacts	Rated voltage	Operator color	Part number
Knob-type selector switch LED lighting (with transformer) 	2 positions	Maintained 	SPST-NO	110 VAC	Insert one of the following letters into the box □. R (red) Y (yellow) G (green) A (blue)	A22W-2M□-T1-10
				220 VAC		A22W-2M□-T2-10
			SPST-NC	110 VAC		A22W-2M□-T1-01
				220 VAC		A22W-2M□-T2-01
			SPST-NO + SPST-NC	110 VAC		A22W-2M□-T1-11
				220 VAC		A22W-2M□-T2-11
			DPST-NO	110 VAC		A22W-2M□-T1-20
		220 VAC		A22W-2M□-T2-20		
		DPST-NC	110 VAC	A22W-2M□-T1-02		
			220 VAC	A22W-2M□-T2-02		
		Spring return 	SPST-NO	110 VAC		A22W-2A□-T1-10
				220 VAC		A22W-2A□-T2-10
			SPST-NC	110 VAC		A22W-2A□-T1-01
				220 VAC		A22W-2A□-T2-01
	SPST-NO + SPST-NC		110 VAC	A22W-2A□-T1-11		
			220 VAC	A22W-2A□-T2-11		
	DPST-NO		110 VAC	A22W-2A□-T1-20		
		220 VAC	A22W-2A□-T2-20			
	DPST-NC	110 VAC	A22W-2A□-T1-02			
		220 VAC	A22W-2A□-T2-02			
	3 positions	Maintained 	SPST-NO + SPST-NC	110 VAC	A22W-3M□-T1-11	
				220 VAC	A22W-3M□-T2-11	
			DPST-NO	110 VAC	A22W-3M□-T1-20	
				220 VAC	A22W-3M□-T2-20	
			DPST-NC	110 VAC	A22W-3M□-T1-02	
				220 VAC	A22W-3M□-T2-02	
		Spring return 	SPST-NO + SPST-NC	110 VAC	A22W-3A□-T1-11	
				220 VAC	A22W-3A□-T2-11	
DPST-NO			110 VAC	A22W-3A□-T1-20		
			220 VAC	A22W-3A□-T2-20		
DPST-NC			110 VAC	A22W-3A□-T1-02		
			220 VAC	A22W-3A□-T2-02		

Dimensions

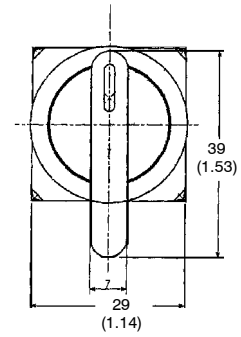
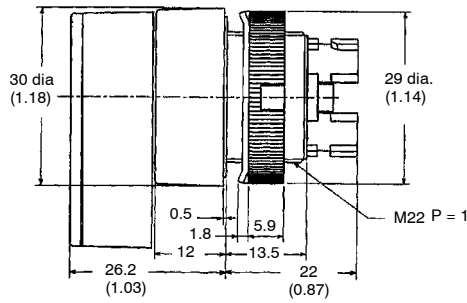
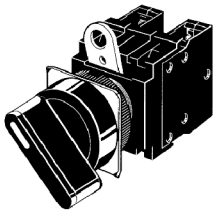
Unit: mm (inch)

■ KNOB-TYPE SELECTOR SWITCH (ILLUMINATED/NON-ILLUMINATED)

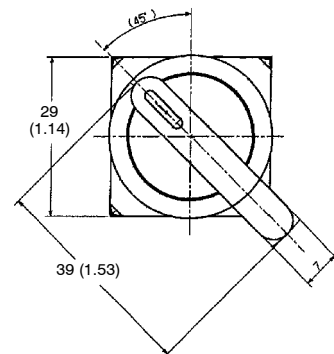
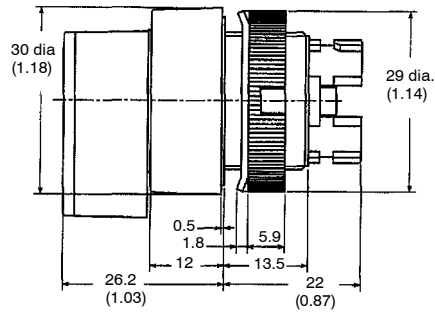
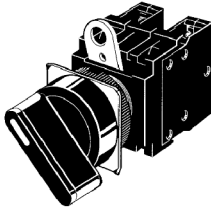
A22S-S



A22S-C3

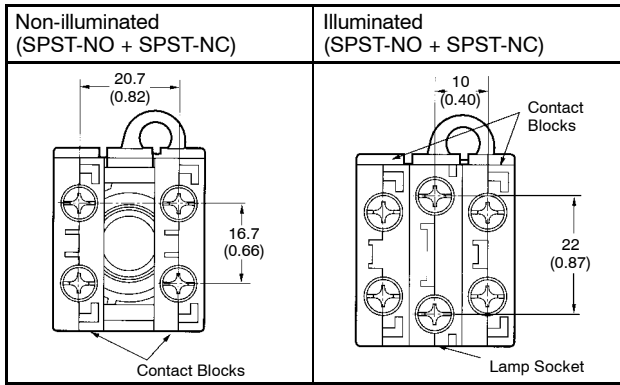


A22S-C2

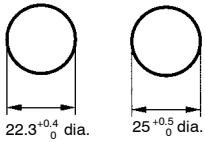


■ TERMINAL ARRANGEMENT

Terminal Arrangement (Bottom View)



■ PANEL CUTOUT DIMENSIONS



Note: When applying a coating such as paint to a panel, the dimensions should be those after the application of the coating.
A lock fitting is provided as a standard item.

■ CONTACT CONFIGURATION

2-Position Type

Knob position	SPST-NO	SPST-NC	SPST-NO + SPST-NC	DPST-NO	DPST-NC

3-Position Type

Knob position	SPST-NO + SPST-NC	DPST-NO	DPST-NC

Note: For additional specifications and information refer to the *Common to all assemblies* section at the end of this publication.

■ TERMINAL CONNECTION

Type	Connection diagram
Non-illuminated	Bottom view
Illuminated without transformer	Bottom view
Illuminated with transformer	Bottom view

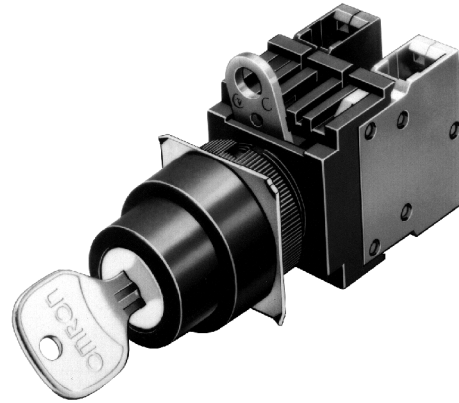
Note: The above terminal connection diagrams are examples for SPST-NO + SPST-NC.

Key-Type Selector Switch

A22K

Install in 22-mm dia. or 25-mm dia.
Panel Cutout

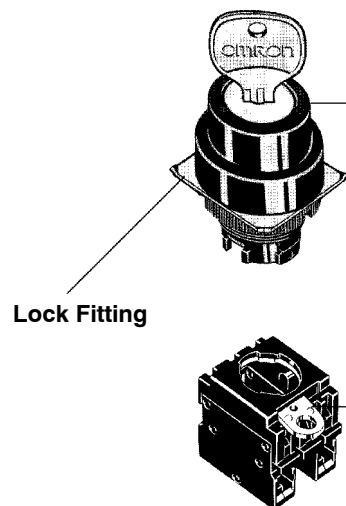
- Locking lever ensures easy mounting and removal of switch unit
- Increase wiring efficiency and decrease mounting depth with three-row mounting of switch unit contact blocks
- Finger-safe contacts
- Use optional 25-mm dia. ring to install in 25-mm dia. panel cutouts
- Install using either round, forked crimp terminals, or ferrules
- IP65 oil resistant: EN60947-5-1



This product was manufactured at OMRON Izumo. OMRON Izumo has obtained approvals from international certification bodies for its quality system and environmental control system.

Ordering Information

■ CONSTRUCTION



Operational Unit

Number of Positions

- 2 Positions/3 Positions

Key Release Position

2 Positions



3 Positions



Switch Unit

- **Contacts**

SPST-NO, SPST-NC, SPST-NO + SPST-NC, DPST-NO, DPST-NC

■ PART NUMBER LEGEND

Shipped as a set which includes the Operational Unit and Switch Unit with contact blocks.

A22K-1-2

1 Number of Positions/Reset Method

Code	Positions	Reset method	Key release position
2ML	2 positions	Maintained	Left
2M			Left and right
2AL		Spring return	Left
3ML	3 positions	Maintained	Left
3M			Left and right
3MC			Center
3AC		Spring return	Center

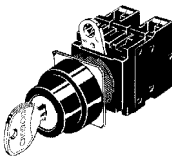











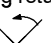











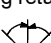
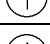


2 Contacts

Code	Description
10	SPST-NO (*)
01	SPST-NC (*)
11	SPST-NO + SPST-NC
20	DPST-NO
02	DPST-NC

Note: * for models with 2 Positions

Note: SPST= Single Pole, Single Throw
DPST= Double Pole, Single Throw

■ KEY-TYPE SELECTOR SWITCH

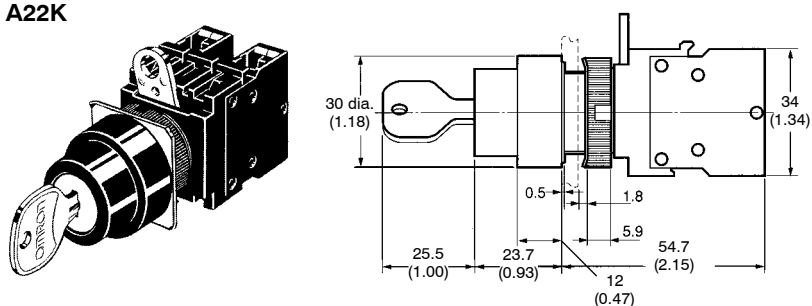
Appearance	Positions	Operator type	Contacts	Key release position	Color of Operational Unit	Part number	
Key-type selector switch 	2 positions	Maintained 	SPST-NO		Black	A22K-2ML-10	
						A22K-2M-10	
			SPST-NC			A22K-2ML-01	
						A22K-2M-01	
			SPST-NO + SPST-NC			A22K-2ML-11	
						A22K-2M-11	
			DPST-NO			A22K-2ML-20	
				A22K-2M-20			
		DPST-NC		A22K-2ML-02			
				A22K-2M-02			
		Spring return 	SPST-NO			A22K-2AL-10	
						SPST-NC	A22K-2AL-01
							SPST-NO + SPST-NC
						DPST-NO	
	DPST-NC				A22K-2AL-02		
	3 positions	Maintained 	SPST-NO + SPST-NC		A22K-3ML-11		
					A22K-3M-11		
					A22K-3MC-11		
			DPST-NO		A22K-3ML-20		
					A22K-3M-20		
					A22K-3MC-20		
			DPST-NC		A22K-3ML-02		
					A22K-3M-02		
					A22K-3MC-02		
Spring return 		SPST-NO + SPST-NC		A22K-3AC-11			
			DPST-NO		A22K-3AC-20		
				DPST-NC		A22K-3AC-02	

Dimensions

Unit: mm (inch)

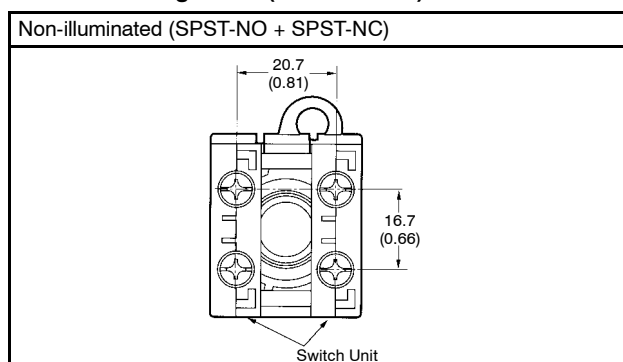
KEY-TYPE SELECTOR SWITCH

A22K



TERMINAL ARRANGEMENT

Terminal Arrangement (Bottom View)

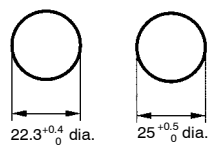


TERMINAL CONNECTION

Type	Terminal connection
Non-illuminated	Bottom view

Note: The above terminal connection diagrams are examples for SPST-NO + SPST-NC.

PANEL CUTOUT DIMENSIONS



Note: When applying a coating such as paint to a panel, the dimensions should be those after the application of the coating.

A lock fitting is provided as a standard item.

■ CONTACT CONFIGURATION

2-Position Type

Knob position	SPST-NO	SPST-NC	SPST-NO + SPST-NC	DPST-NO	DPST-NC

3-Position Type

Knob position	SPST-NO + SPST-NC	DPST-NO	DPST-NC

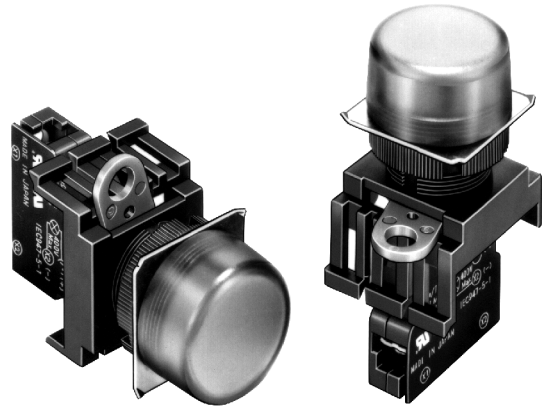
Note: For additional specifications and information refer to the *Common to all assemblies* section at the end of this publication.

Pilot Lights - 22 mm

M22

22-mm dia. and 25-mm dia. Round and Square Indicators

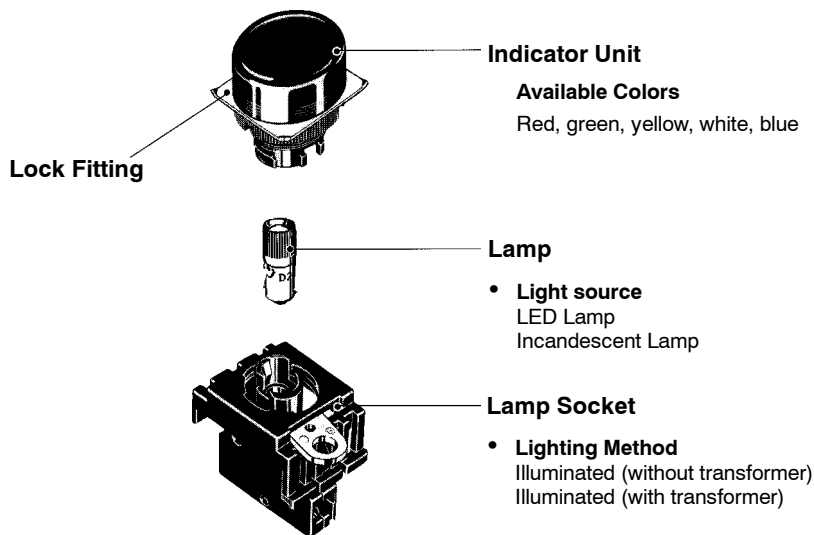
- Locking lever ensures easy mounting and removal of switch unit
- Use optional 25-mm dia. ring to install in 25-mm dia. panel cutouts
- Finger protection mechanism on Lamp Unit provided as a standard feature
- IP65 oil resistant: EN60947-5-1



This product was manufactured at OMRON Izumo. OMRON Izumo has obtained approvals from international certification bodies for its quality system and environmental control system.

Ordering Information

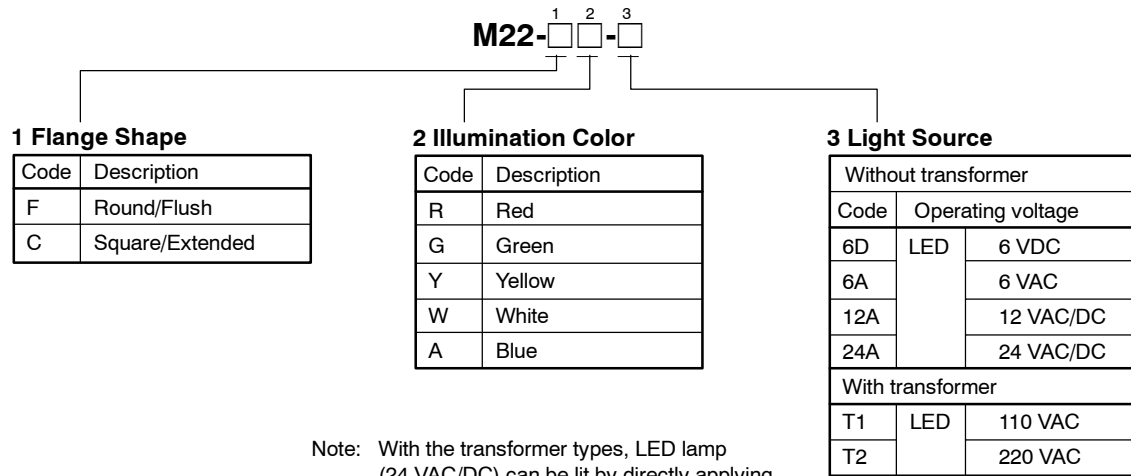
■ CONSTRUCTION



(Actual color of yellow pushbuttons more closely resembles amber than true yellow.)

■ PART NUMBER LEGEND

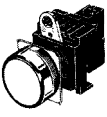


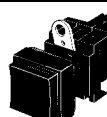
Shipped as a set which includes the Operational Unit, LED, and Lamp Socket.



Note: With the transformer types, LED lamp (24 VAC/DC) can be lit by directly applying 110 VAC/DC (220 VAC/DC) to the lamp terminal. The LED is 24-VAC/DC type.

(Actual color of yellow pushbuttons more closely resembles amber than true yellow.)

■ M22 INDICATOR

Appearance	Lighting	Rated voltage	Operator color	Part number	
Round/Flush Without transformer 	LED	6 VDC	Insert one of the following letters into the box <input type="checkbox"/> . R (red) Y (yellow) G (green) W (white) A (blue)	M22-F□-6D	
		6 VAC		M22-F□-6A	
		12 VAC/DC		M22-F□-12A	
		24 VAC/DC		M22-F□-24A	
Round/Flush With transformer 	LED	110 VAC		M22-F□-T1	
		220 VAC		M22-F□-T2	
Square/Extended Without transformer 	LED	6 VDC		Insert one of the following letters into the box <input type="checkbox"/> . R (red) Y (yellow) G (green) W (white) A (blue)	M22-C□-6D
		6 VAC			M22-C□-6A
		12 VAC/DC			M22-C□-12A
		24 VAC/DC			M22-C□-24A
Square/Extended With transformer 	LED	110 VAC	M22-C□-T1		
		220 VAC	M22-C□-T2		

Note: To order Incandescent versions of the M22 Pilot Light, replace the last two digits in the part number (ie, 12A, 24A, T1) with the appropriate code from table 3 of the Part Number Legend at the top of the page.
Example: M22-FR-24 is a red, round indicator with 24 VAC incandescent light source.

Specifications

■ RATINGS

LED Lamp

Rated voltage	Rated current	Operating voltage
6 VDC	60 mA	6 VDC \pm 5%
6 VAC/DC	60 mA	6 VAC/DC \pm 5%
12 VAC/DC	30 mA	12 VAC/DC \pm 5%
24 VAC/DC	15 mA	24 VAC/DC \pm 5%

Transformer Lighting

Rated voltage	Operational voltage	Applicable lamp (BA9S/13□ gold)
110 VAC	95 to 115 VAC	LED Lamp (A22-24□)
220 VAC	190 to 230 VAC	

■ APPROVED STANDARDS

Recognized organization	Standards	File No.
UL, cUL (See note)	UL508	E41515
ASTA	EN60947-5-1	—

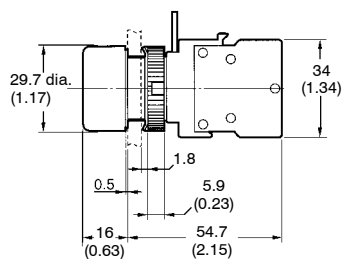
Note: UL: CSA C22 No. 14

Dimensions

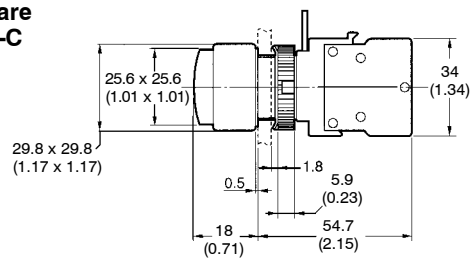
Unit: mm (inch)

■ INDICATORS

Flush M22-F

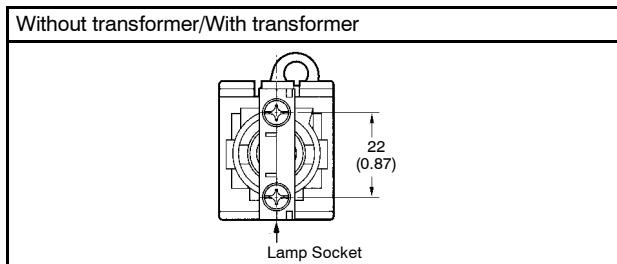


Square M22-C

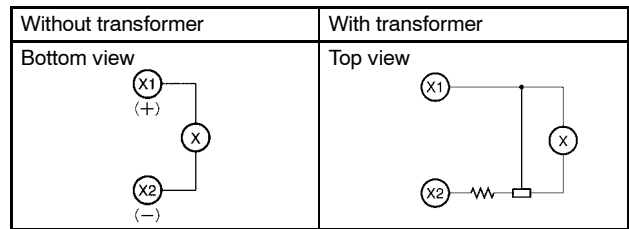


■ TERMINAL ARRANGEMENT

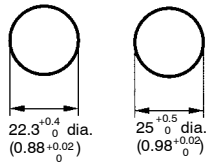
Terminal Arrangement (Bottom View)



■ TERMINAL CONNECTION



■ PANEL CUTOUT DIMENSIONS



Note: When applying a coating such as paint to a panel, the dimensions should be those after the application of the coating. A lock fitting is provided as a standard item.

Note: For additional specifications and information refer to the *Common to all assemblies* section at the end of this publication.

Specifications

■ APPROVED STANDARDS

Recognized organization	Standards	File No.
UL, cUL (See note)	UL508	E41515
ASTA	EN60947-5-1	—

Note: UL: CSA C22 No. 14

■ RATINGS

Contacts (General-purpose Load)

Rated carry current	Rated voltage	Rated current (A)			
		Utilization category			
		AC15 (inductive load)	AC12 (resistive load)	DC13 (inductive load)	DC12 (resistive load)
10 amps	24 VAC	10	10	—	—
	110 VAC	5	10		
	220 VAC	3	6		
	380 VAC	2	3		
	440 VAC	1	2		
	24 VDC	—	—	1.5	10
	110 VDC			0.5	2
	220 VDC			0.2	0.6
380 VDC			0.1	0.2	

Note: 1. Rated current values are determined according to the testing conditions specified by JIS C4520. The above ratings were obtained by conducting tests under the following conditions as specified by JIS C4505.

- (1) Ambient temperature: 20°±2°C
- (2) Ambient humidity: 65±5%
- (3) Operating frequency: 20 operations/min

2. Minimum applied load: 10 mA, 5 VDC

Contacts (Microload)

Rated applied load	Minimum applied load
50 mA, 5 VDC (Resistive load)	1 mA, 5 VDC

LED Indicators without Transformer

Rated voltage	Rated current	Operating voltage
6 VDC	60 mA	6 VDC±5%
6 VAC	60 mA	6 VAC/DC±5%
12 VAC/DC	30 mA	12 VAC/DC±5%
24 VAC/DC	15 mA	24 VAC/DC±5%

Transformer Lighting

Rated voltage	Operational voltage	Applicable lamp (BA8S/13□ gold)
110 VAC	95 to 115 VAC	LED Lamp (A22-24A□)
220 VAC	190 to 230 VAC	

■ CHARACTERISTICS

Item		Pushbutton switches		Emergency stop switches		Knob-type selector switches		Key-type selector switch
		Non-illuminated models: A22-F, A22-T, A22-G, A22-S, A22-C, A22-D, A22-H, A22-M	Illuminated models: A22L-T, A22L-G, A22L-H, A22L-D, A22L-C	Non-illuminated models: A22E	Illuminated models: A22EL	Non-illuminated models: A22S	Illuminated models: A22W	Non-illuminated models: A22K
Allowable operating frequency	Mechanical	Momentary operation: 60 operations/min max.		30 operations/min max.		Manual release: 30 operations/min max. Automatic release: 30 operations/min max.		
	Electrical	30 operations/min max.				30 operations/min max.		
Insulation resistance		100 MΩ min. (at 500 VDC)						
Dielectric strength		2,500 VAC, 50/60 Hz for 1 min between terminals of same polarity 2,500 VAC, 50/60 Hz for 1 min between terminals of different polarity and also between each terminal and ground						
Vibration resistance (See note 2)		Malfunction: 10 to 55 Hz, 1.5-mm double amplitude (malfunction within 1 ms)						
Shock resistance	Mechanical	1,000 m/s ² {100G}	1,000 m/s ² {100G}	1,000 m/s ² {100G}		1,000 m/s ² {100G}	1,000 m/s ² {100G}	1,000 m/s ² {100G}
	Malfunction (See note 2)	1,000 m/s ² {100G} max.	600 m/s ² {60G} max.	250 m/s ² {25G} max.		1,000 m/s ² {100G} max.	600 m/s ² {60G} max.	1,000 m/s ² {100G} max.
Life expectancy	Mechanical	Momentary operation: 5,000,000 operations min.		Momentary operation: 300,000 operations min.		500,000 operations min.	100,000 operations min.	500,000 operations min.
	Electrical	500,000 operations min.		300,000 operations min.	300,000 operations min.	500,000 operations min.	100,000 operations min.	500,000 operations min.
Ambient temperature (See note 1)		Operating: -20°C to 70°C (-4°F to 158°F) Storage: -40°C to 70°C (-40°F to 158°F)	Operating: -20°C to 55°C (-4°F to 131°F) Storage: -40°C to 70°C (-40°F to 158°F)	Operating: -20°C to 70°C (-4°F to 158°F) Storage: -40°C to 70°C (-40°F to 158°F)	Operating: -20°C to 55°C (-4°F to 131°F) Storage: -40°C to 70°C (-40°F to 158°F)	Operating: -20°C to 70°C (-4°F to 158°F) Storage: -40°C to 70°C (-40°F to 158°F)	Operating: -20°C to 55°C (-4°F to 131°F) Storage: -40°C to 70°C (-40°F to 158°F)	Operating: -20°C to 70°C (-4°F to 158°F) Storage: -40°C to 70°C (-40°F to 158°F)
Ambient humidity		Operating: 35% to 85%						
Degree of protection		IP65						
Electric shock protection class		Class II						
Degree of contamination		3 (IEC947-5-1)						




Note: 1. With no icing or condensation.
2. Malfunction within 1 ms.

■ OPERATING CHARACTERISTICS (FOR SPST-NO/SPST-NC)

Item	Pushbutton switches	Emergency stop switches	Knob-type selector switch		Key-type selector switch	
	Illuminated Non-illuminated Pushbutton Switches	Push-lock turn-reset system	Manual release	Automatic release	Manual release	Automatic release
	A22-F, A22-G, A22-C, A22-S, A22-T, A22-H, A22-D, A22-M, A22L-T, A22L-H, A22L-D, A22L-G, A22L-C	A22E	A22S, A22W	A22S, A22W	A22K	
Total travel force (TTF) max.	29.4 N {3.0 kgf}	44.1 N {4.5 kgf}	0.34 N • m {3.5 kgf • cm} (See note)	0.25 N • m {2.5 kgf • cm} for two position (See note) 0.34 N • m {3.5 kgf • cm} for three position	0.34 N {3.5 gf} (See note)	0.25 N • m {2.5 kgf • cm} for three position (See note) 0.34 N • m {3.5 kgf • cm} for three position
Total travel (TT)	5.5 mm max.	10±1 mm	Approx. 90° for two position (Approx. 45° for three position)		Approx. 90° for two position	
Releasing force (RF) min.	—	0.25 N • m max. {2.5 kgf • cm} (See note)	0.34 N • m max. {3.5 kgf • cm} (See note)	—	0.34 N • m max. {3.5 kgf • cm} (See note)	—



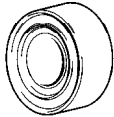

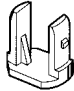


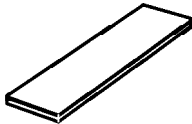
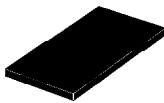

Note: Rotation torque for Emergency Stop Pushbutton, Knob-type Selector, and Key-type Selector Switches.

Accessories (Order Separately)

Item	Appearance	Classification	Remarks	Part number	
Contact Blocks		SPST-NO	Provided as standard. Order Contact Blocks only when adding or replacing them.	General-purpose load	A22-10
				Microload	A22-10S
		SPST-NC		General-purpose load	A22-01
				Microload	A22-01S
		DPST-NO		General-purpose load	A22-20
				Microload	A22-20S
		DPST-NC		General-purpose load	A22-02
				Microload	A22-02S
Lamp Sockets		Direct lighting	Used when changing the lighting method.	A22-TN	
		Transformer illumination		110 VAC	A22-T1
				220 VAC	A22-T2
Mounting Latches		For momentary models	Provided as standard. Order Mounting Latches only when mounting Contact Blocks or Lamp Sockets that are purchased individually.	A22-3200	
Legend plate frames	Standard size	With Snap-in Legend Plate (Without text)	Snap-in Legend Plate is acrylic.	White	A22Z-3321
				Red	A22Z-3322
				Black	A22Z-3323
				Without Snap-in Legend Plate	A22Z-3320
	Large size	With Snap-in Legend Plate (Without text)		White	A22Z-3331
				Red	A22Z-3332
				Black	A22Z-3333
				Without Snap-in Legend Plate	A22Z-3330

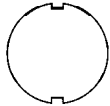



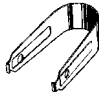
(This table continues on the next page.)

(continued from previous page)

Item	Appearance	Classification	Remarks	Part number			
Lock fitting		Round	The body is equipped with a Lock Fitting. This Lock Fitting is used when a more secure lock feature is required.	A22Z-3360			
Metallic bezel rings		For flush or projection models	Replace with the standard model.	A22Z-3580			
		For full-guard models	Material: nickel-plated zinc	A22Z-3582			
Sealing caps		For flush models	Used to prevent dust or water from entering the Operational Unit. Color: opaque Material: silicon	A22Z-3600F			
		For extended models		A22Z-3600T			
		For full-guard models		A22Z-3600G			
Color lenses		Red	Used for changing the Operational Unit color of the Pushbutton Switch.	A22Z-30TR			
		Green		A22Z-30TG			
		Yellow		A22Z-30TY			
		White		A22Z-30TW			
		Blue		A22Z-30TA			
Three-throw spacers		For Pushbutton Switches	Used when mounting three Non-Illuminated Switch Units. Cannot be used with Illuminated Emergency Stop Switches.	A22Z-3003			
Hole plug		Round	Can be plugged into pre-cut panel holes for future expansion. The color is black.	A22Z-3550			
25 mm-dia. ring		25 mm ring	Can be fit into a 25 mm-dia. hole in the panel. Since this is not attached to the main body, order separately.	A22Z-R25			
Snap-in legend plates	Standard size		Without text	Black	Attached to the Standard-size Legend Plate Frame. Material: Acrylic	A22Z-3443B	
				Red		A22Z-3443R	
				White		A22Z-3443W	
				Transparent		A22Z-3443C	
				White text on red background		○	A22Z-3443R-2
						STOP	A22Z-3443R-4
				White text on black background			A22Z-3443B-1
						START	A22Z-3443B-3
						ON	A22Z-3443B-5
						OFF	A22Z-3443B-6
	UP	A22Z-3443B-7					
	Large size		Without text	Black	Attached to the Large-size Legend Plate Frame Material: Acrylic	A22Z-3453B	
				Red		A22Z-3453R	
				White		A22Z-3453W	
				Transparent		A22Z-3453C	
For Emergency Stop Switch						60-dia. round plate with black letters on a yellow background	"EMERGENCY STOP" is engraved on the plate. Used as an Emergency Stop Switch Legend Plate.
	90-dia. round plate with black letters on a yellow background	A22Z-3476-1					

(This table continues on the next page.)

(continued from previous page)

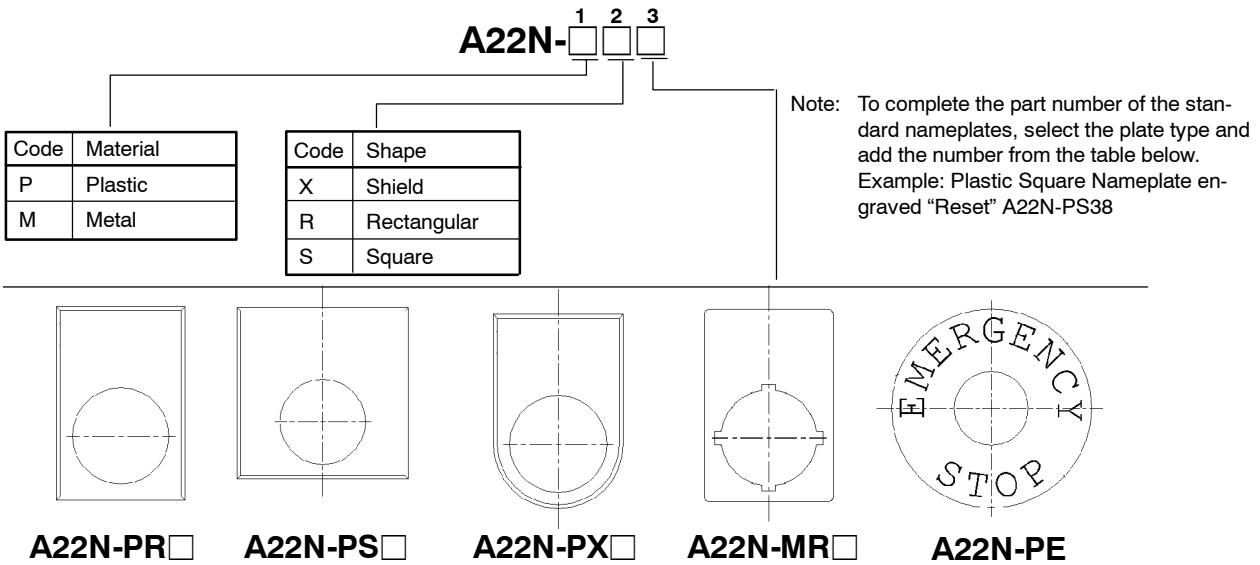
Item	Appearance	Classification	Remarks	Part number	
Character films		No print (Round)	After printing on a film, affix to the indicator plate of the Illuminated Pushbutton Switch. (The back is coated with adhesive.)	A22Z-3460	
		Character print (Round)			A22Z-3460-1
				○	A22Z-3460-2
				START	A22Z-3460-3
		STOP		A22Z-3460-4	
No print (Square)	A22Z-3480				
Lamp extractor		—	Rubber tool used to easily replace Lamps.	A22Z-3901	
Tightening wrench		—	Tool used to tighten nuts from the back of the panel.	A22Z-3905	
Lens tightening tool		—	Used for replacing the cap of the Half-guard Pushbutton Switch.	A22Z-3908	
Lens puller		—	Used for removing the lens from the indicator of the Square Illuminated Pushbutton Switch.	A3PJ-5080	

■ ENCLOSURES

Material	Hole size	Number of holes	Part number
Polyester	22.5 mm (0.88 in)	1	A22N-PENC-1
		2	A22N-PENC-2
		3	A22N-PENC-3
Metallic	22.5 mm (0.88 in)	1	A22N-MENC-1
		2	A22N-MENC-2
		3	A22N-MENC-3
		4	A22N-MENC-4
		6	A22N-MENC-6
		9	A22N-MENC-9
		12	A22N-MENC-12
16	A22N-MENC-16		

Note: For more information on pushbutton enclosures refer to drawings in the *Dimensions* section.

■ NAMEPLATE NOMENCLATURE



1	AUTO	30	ON	106	HIGH-LOW	150	AUTO-MAN-OFF	175	START-JOG-STOP
2	CLOSE	31	OPEN	107	INCH-REVERSE	151	AUTO-OFF-HAND	176	START-RUN-STOP
3	CYCLE START	32	OUT	108	JOG-FOR	152	AUTO-OFF-MAN	177	UP-OFF-DOWN
4	CYCLE STOP	33	POWER ON	109	JOG-REV	153	CLOSE-OFF-OPEN	178	1-OFF-2
5	DECREASE	34	PULL TO START	110	JOG-RUN	154	DOWN-OFF-SLOW	179	HAND-OFF-AUTO
6	DOWN	35	PUSH TO TEST	111	LEFT-RUN	155	FAST-OFF-SLOW	180	
7	EMERG.STOP (red)	36	PUSH TO STOP	112	LOWER-RAISE	156	FOR-OFF-REV	181	
8	FAST	37	RAISE	113	MAN-AUTO	157	FOR-STOP-REV	182	
9	FAULT	38	RESET	114	OFF-ON	158	HIGH-LOW-OFF	183	
10	FEED	39	REVERSE	115	ON-OFF	159	HIGH-OFF-LOW	184	
11	FEED START	40	RIGHT	116	OPEN-CLOSE	160	JOG-SAFE-RUN	185	
12	FEED STOP	41	RUN	117	RAISE-LOWER	161	JOG-STOP-RUN	186	
13	FLUID LEVEL LOW	42	SLOW	118	REV-FOR	162	LEFT-OFF-RIGHT	187	I-II-III
14	FORWARD	43	SPEED	119	RUN-INCH	163	LOC-OFF-REMOTE	188	III
15	FULL SPEED	44	START	120	RUN-JOG	164	LOW-OFF-HIGH	190	60 MM E-STOP
16	HAND	45	STOP	121	RUN-SAFE	165	LOWER-OFF-RAISE	191	90 MM E-STOP
17	HIGH	46	TEST	122	SAFE-RUN	166	OFF COOLANT ON	200	BLANK NAMEPLATE
18	IN	47	UP	123	SLOW-FAST	167	OFF-LOC-REMOTE	200E	SPECIAL ENGRAVING
19	INCH	48	1ST SPEED	124	START-JOG	168	OFF-MAN-AUTO		
20	INCREASE	49	2ND SPEED	125	START-STOP	169	OFF-SLOW-FAST		
21	JOG	50	3RD SPEED	126	STOP-START	170	OFF-1-2		
22	JOG FORWARD	51	4TH SPEED	127	SUMMER-WINTER	171	OPEN-OFF-CLOSE		
23	LEFT	100	AUTO-MAN	128	UP-DOWN	172	RAISE-OFF-LOWER		
24	LOW	101	CLOSE-OPEN			173	SLOW-OFF-FAST		
25	LOW SPEED	102	DOWN-UP			174	SLOW-OFF-START		
26	LOWER	103	FAST-SLOW						
27	MOTOR RUN	104	FOR-REV						
28	MOTOR STOP	105	HAND-AUTO						
29	OFF								

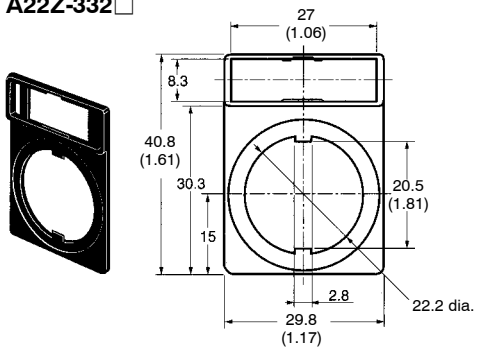
Note: All plastic name plates are adhesive backed, contain beveled edges and are supplied standard with white lettering on black background. Any deviation from items listed here will be a special order. Contact Omron.

Dimensions

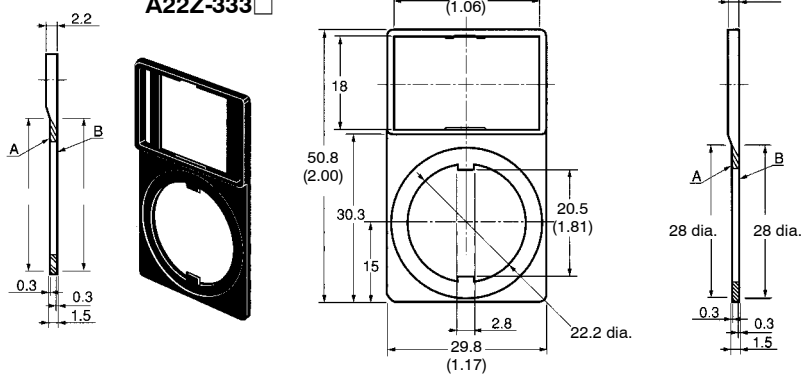
Unit: mm (inch)

■ LEGEND PLATE FRAMES

A22Z-332 □



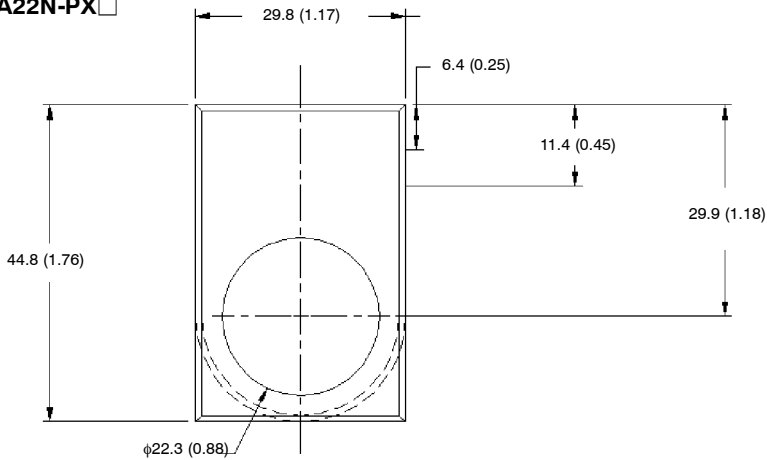
A22Z-333 □



■ PLASTIC RECTANGULAR AND SHIELD

A22N-PR □

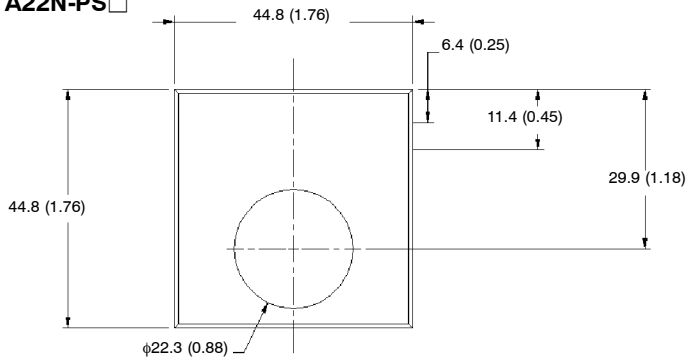
A22N-PX □



Note: Curved dashed line denotes difference between Rectangular and Rectangular to Round name plates.

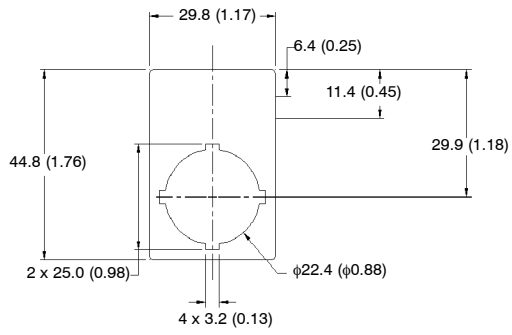
■ PLASTIC SQUARE

A22N-PS □



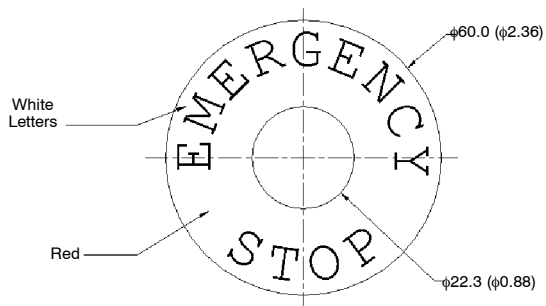
■ METAL RECTANGULAR

A22N-MR□



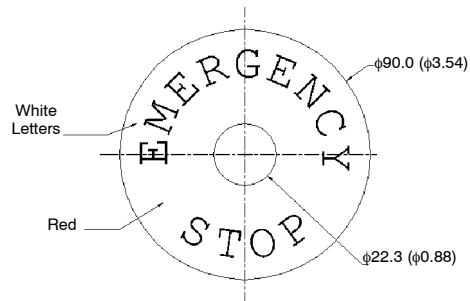
■ 60MM EMERGENCY STOP

A22PE190

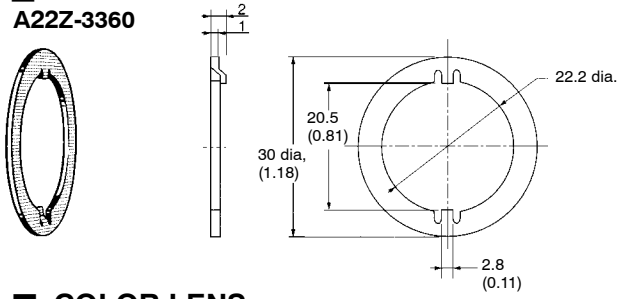


■ 90MM EMERGENCY STOP

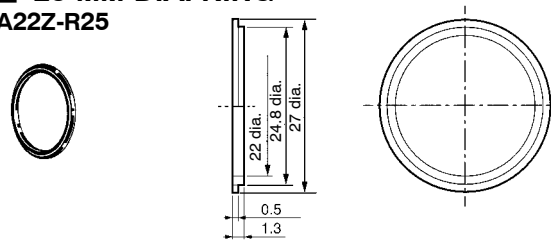
A22N-PE191



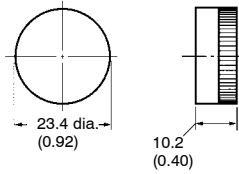
■ LOCK FITTING
A22Z-3360



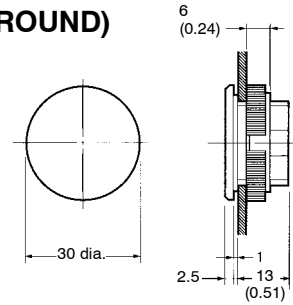
■ 25 MM-DIA. RING
A22Z-R25



■ COLOR LENS
A22L-30T□

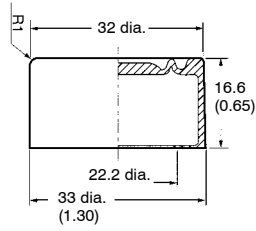
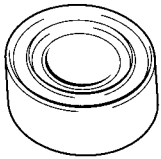


■ HOLE PLUG (ROUND)
A22Z-3530

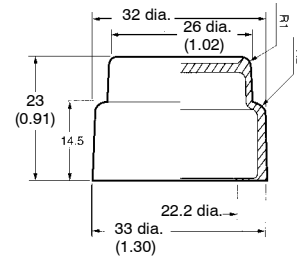
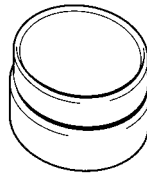


■ SEALING CAPS

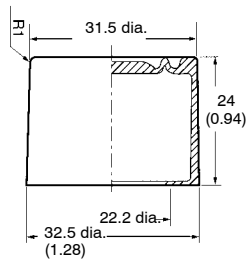
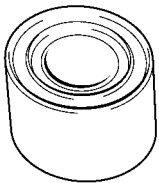
For Flush Models
A22Z-3600F



For Extended Head Models
A22Z-3600T

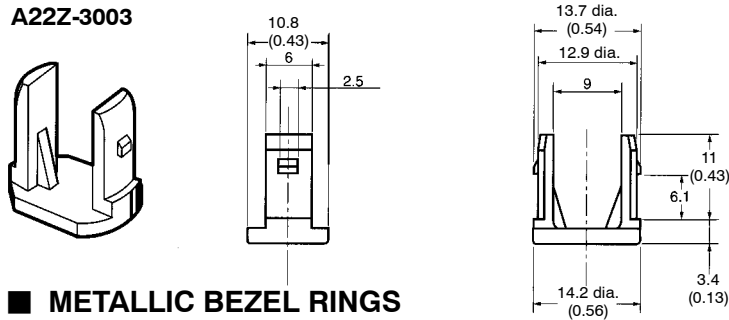


For Full-guard Models
A22Z-3600G



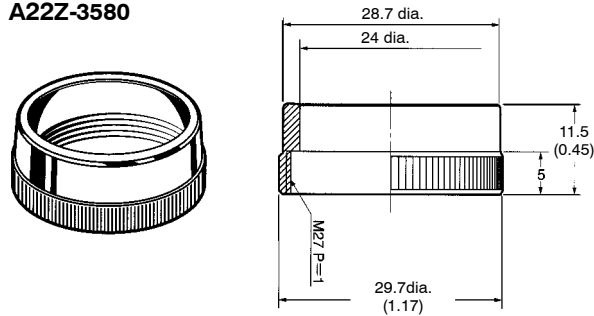
■ **THREE-THROW SPACER**

A22Z-3003

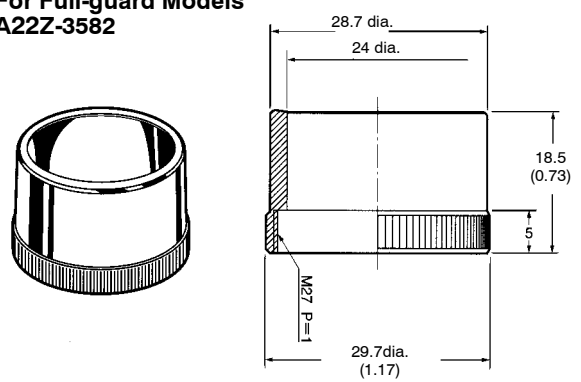


■ **METALLIC BEZEL RINGS**

For Flush/Extended Models
A22Z-3580

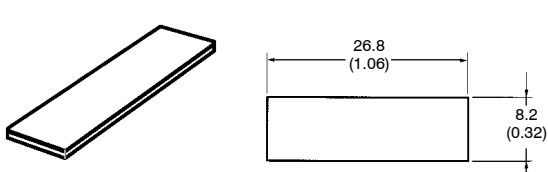


For Full-guard Models
A22Z-3582

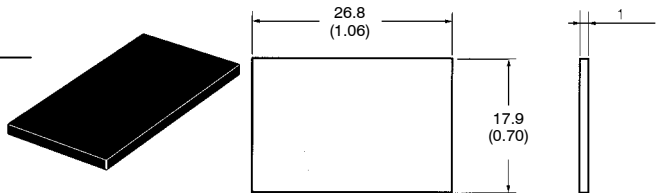


■ **SNAP-IN LEGEND PLATES**

For General-purpose Models
A22L-3443 □-□

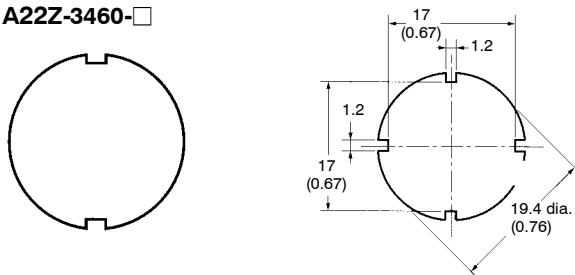


For Large Models
A22Z-3453 □

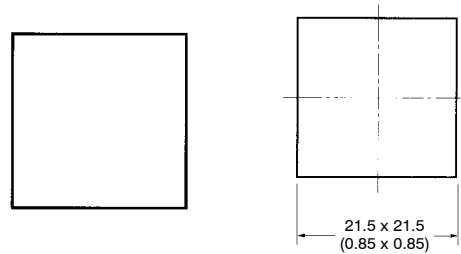


■ **CHARACTER FILM**

For Round Models
A22Z-3460-□



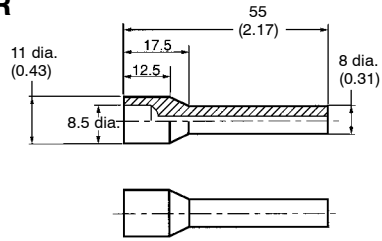
For Square Models
A22Z-3480



Unit: mm (inch)

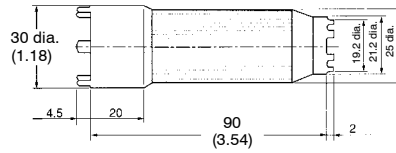
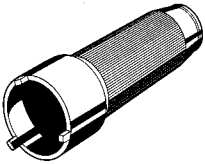
■ LAMP EXTRACTOR

A22Z-3901



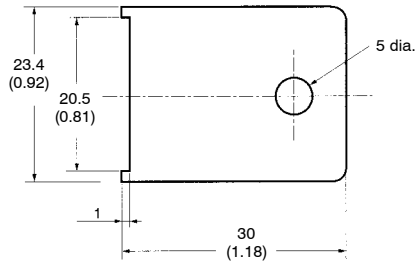
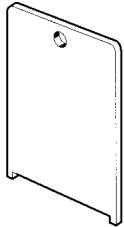
■ TIGHTENING WRENCH

A22Z-3905



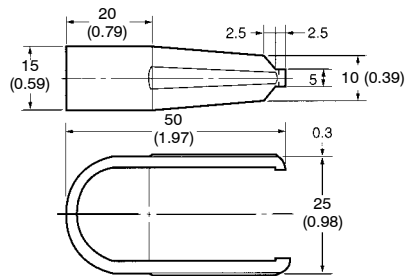
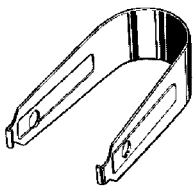
■ LENS TIGHTENING TOOL

A22Z-3908



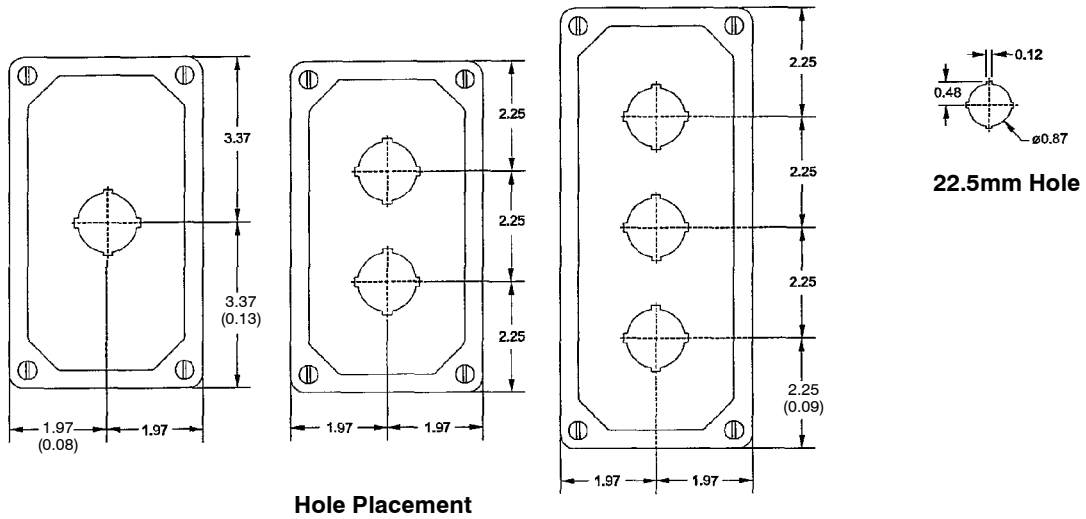
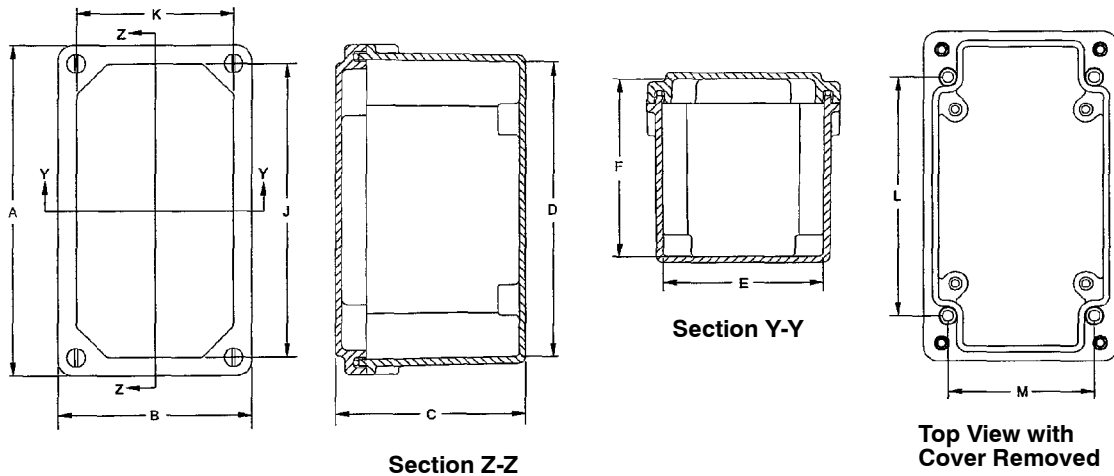
■ LENS PULLER

A3PJ-5080



■ ENCLOSURES (POLYESTER)

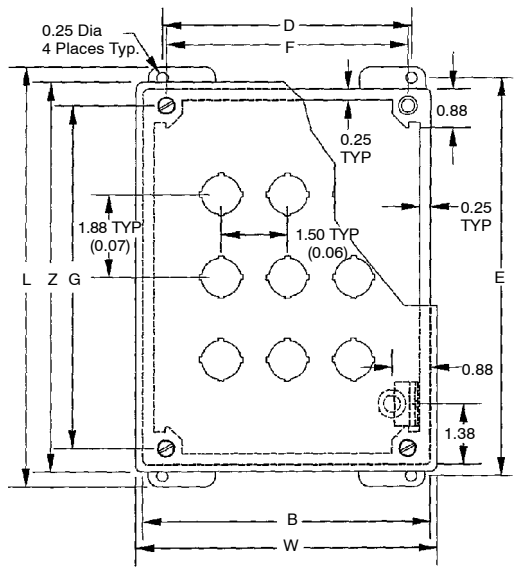
A22N-PENC-□



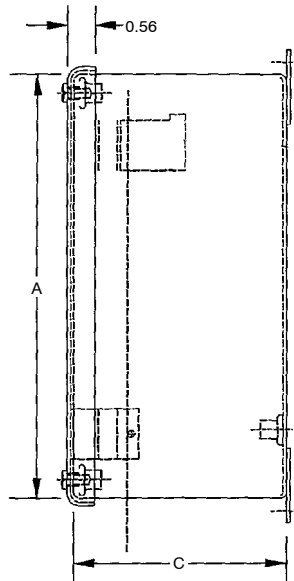
Part No.	Overall Dimensions			Inside Dimensions							No. of Holes	Hole Size
	A	B	C	D	E	F	J	K	L	M		
A22N-PENC-1	6.74	3.93	3.88	6.01	3.26	3.63	5.99	3.18	4.88	2.94	1	22.5
A22N-PENC-2	6.74	3.93	3.88	6.01	3.26	3.63	5.99	3.18	4.88	2.94	2	22.5
A22N-PENC-3	8.99	3.93	3.88	8.26	3.26	3.63	8.24	3.18	7.13	2.94	3	22.5

■ ENCLOSURES (METALLIC)

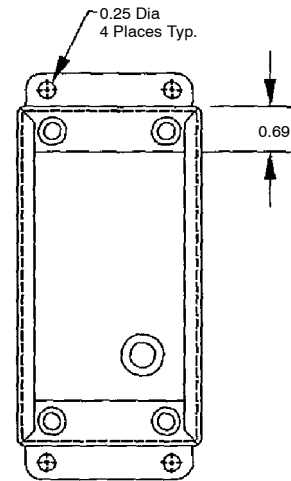
A22N-MENC-□



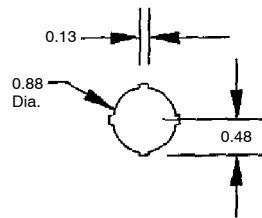
Body Type MENC-6 through MENC-16 (hinged)



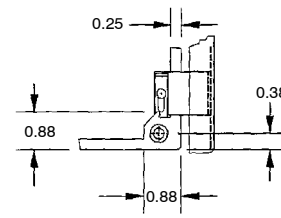
Side View



Body Type MENC-1 MENC-2, MENC-3 and MENC-4 (not hinged)



Typical Pushbutton Detail



Hinge Detail

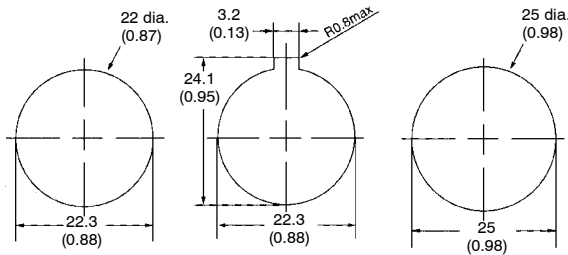
Retractable pin allows door to be mounted on left or right side

Part No.	No. of Holes	Overall Dimensions										
		A	B	C	D	E	F	G	L	W	Z	Ship Wt. lbs.
A22N-MENC-1	1	3.25	2.75	3.50	1.88	3.75	1.71	2.50	4.25	3.06	3.56	2
A22N-MENC-2	2	5.13	2.75	3.50	1.88	5.63	1.71	4.38	6.13	3.06	5.44	3
A22N-MENC-3	3	7.00	2.75	3.50	1.88	7.50	1.71	6.25	8.00	3.06	7.31	3
A22N-MENC-4	4	8.88	2.75	3.50	1.88	9.38	1.71	8.13	9.88	3.06	9.19	4
A22N-MENC-6	6	8.50	5.00	4.25	4.13	9.00	3.96	7.75	9.50	5.31	8.81	5
A22N-MENC-9	9	8.50	6.50	4.25	5.63	9.00	5.46	7.75	9.50	6.81	8.81	6
A22N-MENC-12	12	10.38	6.50	4.25	5.63	10.88	5.46	9.36	11.38	6.81	10.69	6
A22N-MENC-16	16	10.38	8.00	4.25	7.13	10.88	6.96	9.63	11.38	8.31	10.69	7

Installation

■ MOUNTING THE PANEL

Panel Hole Dimensions



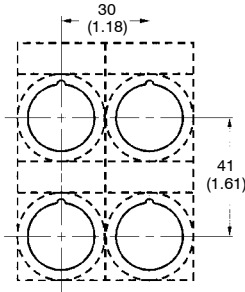
For 25 mm-dia. holes, always use 25 mm-dia. Rings. (Since the cutout dimensions are large, IP65 cannot be guaranteed unless 25-dia. Rings are used.)

If outer surface treatment such as paint is applied to the panel, the panel dimensions after outer surface treatment must meet the specified panel dimensions.

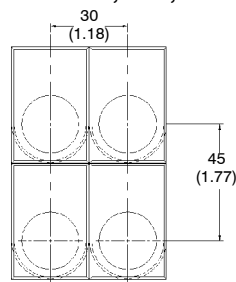
■ MATRIX INSTALLATION

- The following panel hole dimensions apply when Switch Units and the Standard-size Legend Plate Frame Lock Fitting are mounted.

A22Z

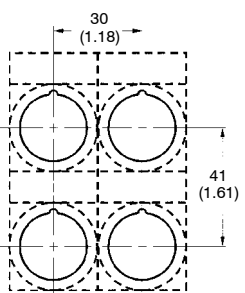


A22N-PR, -MR, -PX

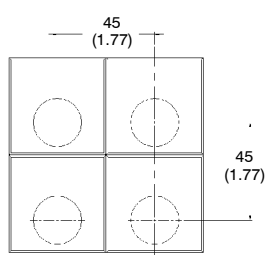


- The following panel hole dimensions apply when the Large-size Legend Plate Frame is mounted.

A22Z



A22N-S



Locking should be applied toward the Engraving Plate.

Note: The above dimensions are the smallest-possible mounting dimensions. However, these dimensions do not apply to large Pushbutton Switches. For large Pushbutton Switches, determine the distance between holes, taking the Operational Unit and Legend Plate Frame into account.

■ MOUNTING THE OPERATIONAL UNIT ON THE PANEL

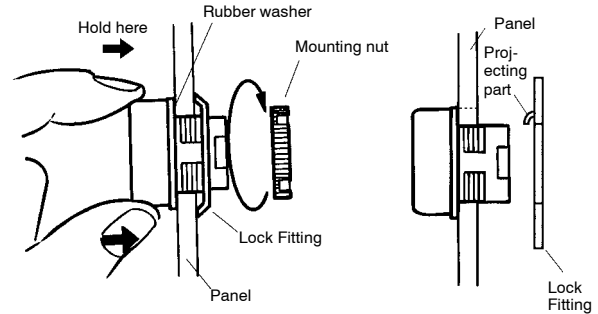
Insert the Operational Unit from the front surface of the panel, insert the Lock Fitting and the mounting nut from the terminal side, then tighten the nut. Before tightening, check that the rubber washer is present between the Operational Unit and the panel.

When using a Legend Plate Frame, put one rubber washer each between the Legend Plate Frame and the panel and between the Operational Unit and the Legend Plate Frame. (One rubber washer will be provided when one Legend Plate Frame is ordered.)

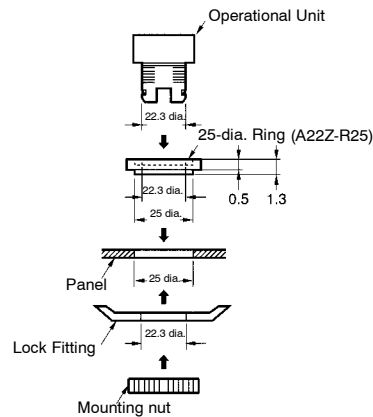
Align the Lock Fitting with the groove in the casing, then insert the Lock Fitting so that its edge is located on the panel side.

Tighten the mounting nut at a torque of 0.98 to 1.96 N • m {10 to 20 kgf • cm}.

When using a Lock Ring, replace with the supplied Lock Fitting, insert the projecting part into the lock slot, and then tighten the mounting nut.

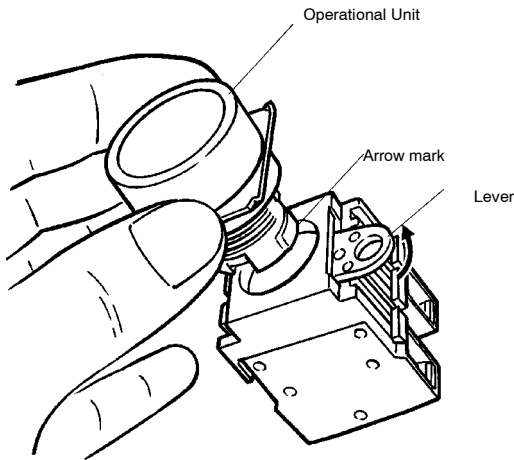


When the panel cutout dimension is 25 mm dia., remove the supplied rubber washer and mount the 25 mm-dia. Ring as shown below. (Since the A22Z-R25 is not attached to the main body, order separately.)



■ MOUNTING THE SWITCH ON THE OPERATIONAL UNIT

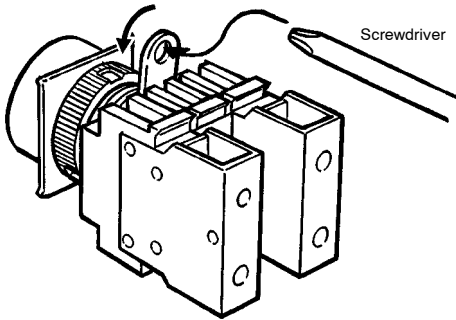
Insert the Operational Unit into the Switch Unit, aligning the arrow mark inscribed on the Operational Unit with the lever on the Switch Unit, then move the lever in the direction indicated by the arrow in the following figure.



■ REMOVING THE SWITCH

Move the lever in the direction indicated by the arrow in the following figure, then pull the Operational Unit or the Switch Unit.

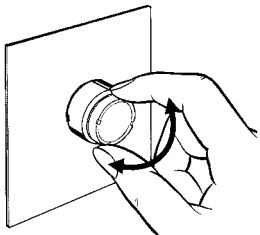
Since the lever has a hole with an inside diameter of 6.5 mm, the lever can be moved in the specified direction by inserting a screwdriver into the hole and then moving the screwdriver.



■ MOUNTING/REPLACING THE COLOR LENS

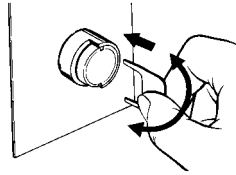
Projection, Full-guard

Grip and rotate the Color Lens with your fingers.



Half-guard Indicators

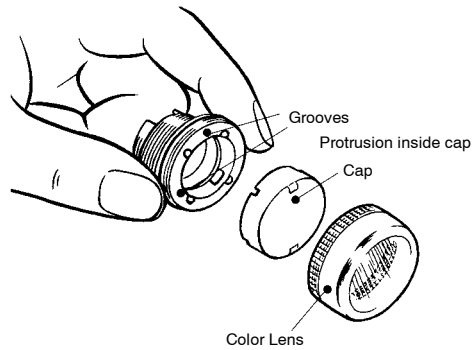
Put the tips of the Lens Tightening Tool (A22Z-3908) into the Color Lens slot and turn the Tool.



■ ASSEMBLING THE CAP

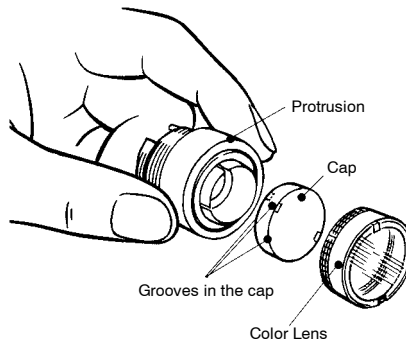
Lighted Pushbutton Switch

Mount the Color Lens so that the protrusions inside the cap fit into the grooves in the Operational Unit.



Indicator

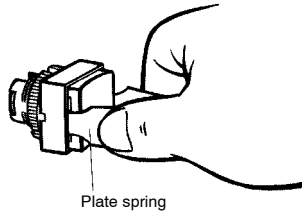
Mount the Color Lens so that the protrusions inside the Operational Unit fit into the grooves in the cap.



Square Pushbutton/Indicator

Removing the Color Lens:

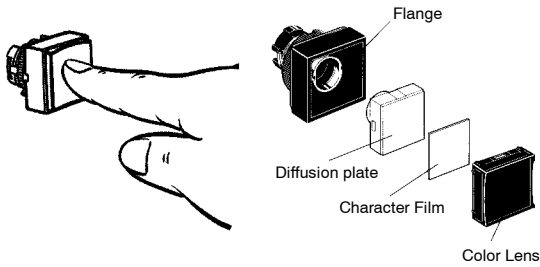
Insert the protruding tip of the Lens Puller (A3PJ-5080) into the lens slot, hold the plate spring, and pull them to remove the Color Lens.



Mounting the Color Lens:

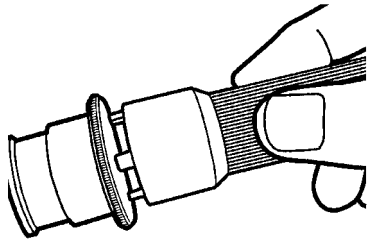
Mount the Color Lens on the flange and firmly push the Color Lens. When the Color Lens is inserted, check whether it operates properly. When replacing the Lamp, remove the Color Lens and diffusion plate with fingers or Lens Puller.

Attach the Character Film properly so that it fits inside the protruding part of the diffusion plate. Then, match the diffusion plate to the square flange and insert the Lens.



■ **EMERGENCY STOP SWITCH**

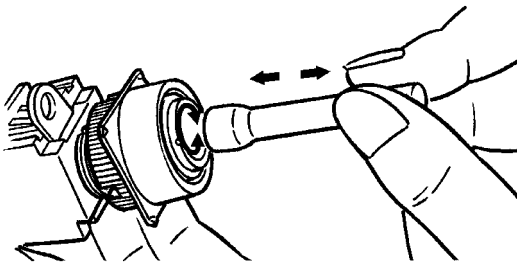
Insert the protrusion of the Tightening Wrench (A22Z-3905) into the Cap slot and then turn to remove the Cap.



■ **INSTALLING/REPLACING THE LAMP**

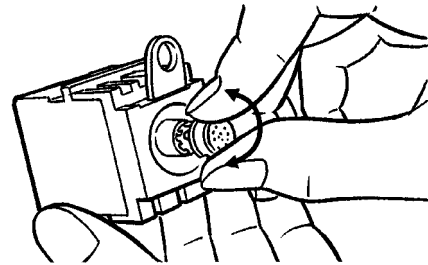
Installing from the Panel Surface

Insert the Lamp Extractor (A22Z-3901) into the lamp, then rotate the Extractor while pressing it.



Installing/Replacing on the Switch Unit

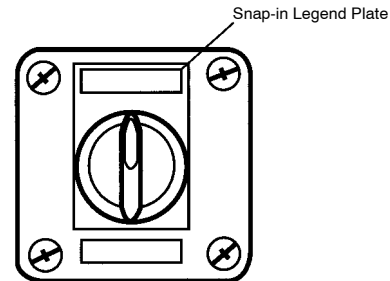
Grip the indicator with your fingers, then rotate the indicator while pressing it against the Switch Unit.



■ **CONTROL BOX (ENCLOSURE)**

Mounting the Switch

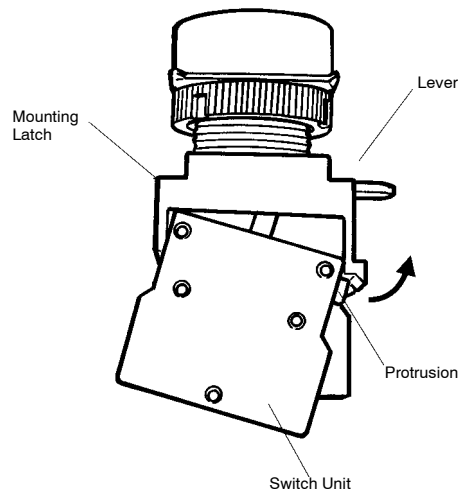
The Standard-size Legend Plate Frame can be mounted. Mount the Frame as shown in the following diagram. Mount the Switch in the same way as for an ordinary panel.



■ **INSTALLING/REMOVING THE SWITCH UNIT**

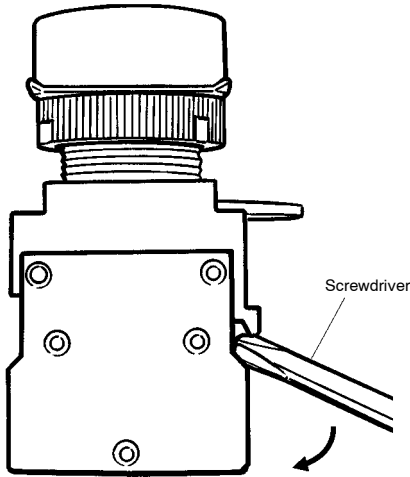
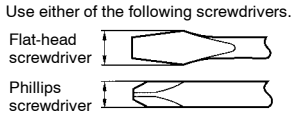
Installing the Switch Unit

Hook the small protrusion on the Switch Unit into the groove on the other side of the lever, then push up the Switch Unit in the direction indicated by the arrow in the figure below.



Removing the Switch Unit

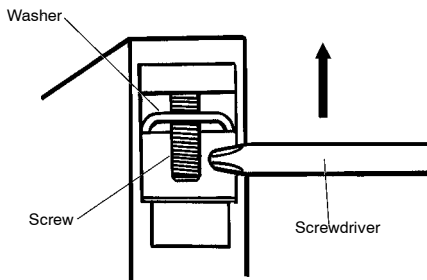
Insert a screwdriver between the Mounting Latch and the Switch Unit, then push down the screwdriver in the direction indicated by the arrow in the following figure.



WIRING

Wiring Round Crimp Terminals

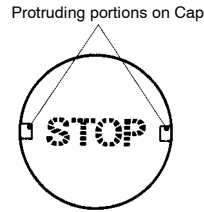
Loosen the terminal screw from the Switch Unit until it completely comes off the groove, insert a screwdriver as shown in the following figure, then push up the washer in the direction indicated by the arrow to temporarily secure it. Now, a round crimp terminal can be connected. After inserting the terminal, tighten the screws to complete wiring.



ENGRAVING

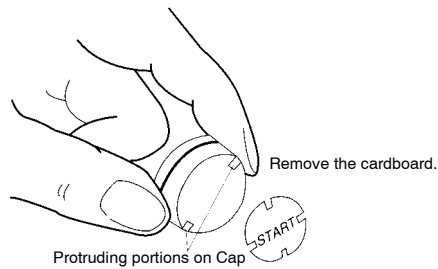
Engrave the characters on the surface on the Cap. Make sure that the characters are aligned parallel to the imaginary line connecting the two protruding portions to the left and right of the Cap.

The characters must not be engraved deeper than 0.5 mm. Apply an alcohol-based paint coating, such as melamine, alkyd, or acrylic resin paint coating, to the engraved characters.



AFFIXING CHARACTER FILM

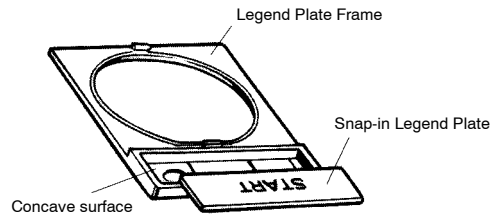
Hold the Cap, remove the cardboard on the Film, and attach the Film to the Cap. Make sure that the protruding portions of the Cap engage the cutout portions of the Film and that the characters are aligned parallel to the imaginary line connecting the two protruding portions to the left and right of the Cap.



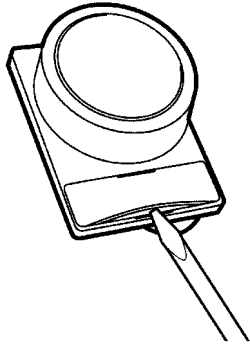
MOUNTING AND DISMOUNTING SNAP-IN LEGEND

Press and secure the Snap-in Legend Plate onto the Legend Plate Frame.

The direction of the characters will vary with the mounting direction of the control panel if the Switch is a knob or key selector model.

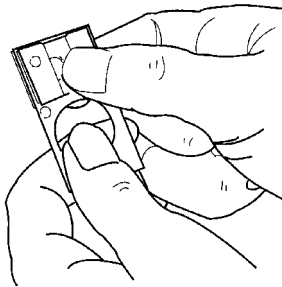


To easily remove the Snap-in Legend Plate from the Legend Plate Frame mounted to the panel, insert a Tool with a thin tip into the space between the Snap-in Legend Plate and the Legend Plate Frame.



The Snap-in Legend Plate is easily removed by pressing the Snap-in Legend Plate from the back of the Legend Plate Frame.

The Legend Plate Frame is made of acrylic resin, which is easily damaged by shock. Be sure to handle the Legend Plate Frame with care.



■ ENGRAVING METHOD

Material: Acrylic

Engrave the characters directly on the matted side of the Snap-in Legend Plate.

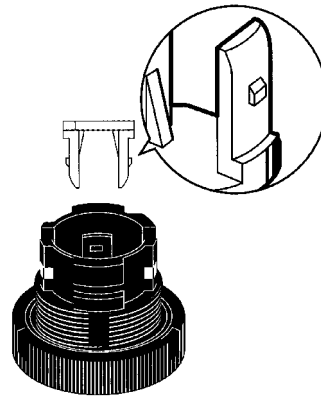
The characters must be engraved no deeper than 0.5 mm.

Apply alcohol-based paint coating to the engraved characters.

If the Snap-in Legend Plate is transparent, engrave the mirror-written characters on the back of the Snap-in Legend Plate and apply paint coating to the characters. Then apply paint coating of a different color to the remaining part of the Snap-in Legend Plate.

■ MOUNTING THREE-THROW SPACER

Press and secure the two protruding portions of the Three-throw Spacer to the two indented portions of the inner side of the control panel.



Precautions

! WARNING

Do not apply a voltage between the incandescent lamp and the terminal that is greater than the rated voltage. If the incandescent lamp is broken, the Operational Units may pop out.

Always turn OFF the power and wait for 10 minutes before replacing the incandescent lamp. If the lamp is replaced immediately after the power is turned OFF, the remaining heat may cause burns.

■ CORRECT USE

Mounting

Always make sure that the power is turned OFF before mounting, removing, or wiring the Switch, or performing maintenance.

Do not tighten the mounting ring more than necessary using tools such as pointed-nose pliers. Doing so will damage the mounting ring. The tightening torque is 0.98 to 1.96 N • m {10 to 20 kgf • cm}.

The panel thickness is 1 to 5 mm.

Wiring

After wiring the Switch, maintain an appropriate clearance and creepage distance.

When DC-specific LEDs are used, wire the Switch so that the X1 terminal is positive.

Terminal screws must be Phillips or slotted M3.5 screws with a square washer.

The tightening torque is 1.08 to 1.27 N • m {11 to 13 kgf • cm}.

Single wires, stranded wires, and crimp terminals can be connected to the Switch.

Operating Environment

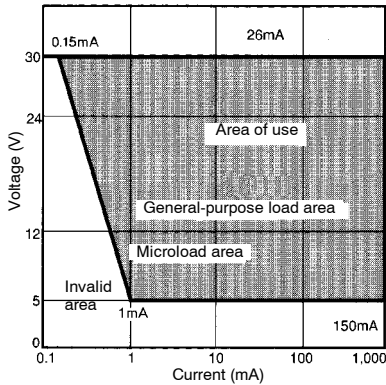
The IP65 model is designed with a protective structure so that it will not sustain damage if it is subjected to water from any direction to the front of the panel.

Using the Microload

Insert a contact protection circuit, if necessary, to prevent the reduction of life expectancy due to extreme wear on the contacts caused by loads where inrush current occurs when the contact is opened and closed.

The minimum applicable load is the N-level reference value. This value indicates the malfunction reference level for the reliability level of 60% (λ 60) (conforming to JIS C5003).

The equation, λ 60 = 0.5×10^{-4} /time indicates that the estimated malfunction rate is less than 1/2,000,000 with a reliability level of 60%.



LEDs

The LED current-limiting resistor is built-in, so internal resistance is not required.

If commercially available LEDs are used, select the ones that meet the following conditions:

Base: BA9S/13□

Overall length: 26 mm max.

Power consumption: 2.6 W max.

Others

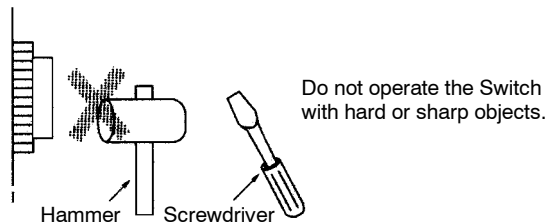
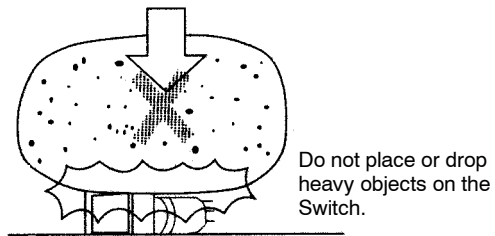
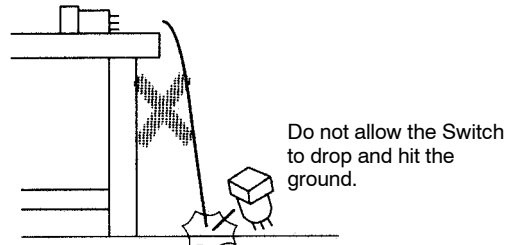
The oil-resistant IP65 uses NBR rubber and is resistant to general cutting oil and cooling oil. Some particular oils cannot be used with the oil-resistant IP65, however, so contact your OMRON representative for details.

If the panel is to be finished with coating, etc., make sure that the panel meets the specified dimensions after the coating.

Do not subject the Switch to extreme shock or vibration. Doing so will cause malfunctions and damage to the Switch.

Do not let sharp objects come into contact with the Switches that are made of resin. Doing so will damage the Switches, causing scratches on the outside of the Operational Units, and malfunction.

When handling the Switches, do not throw or drop them.



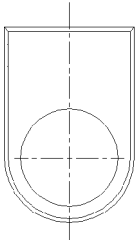
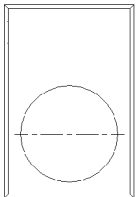
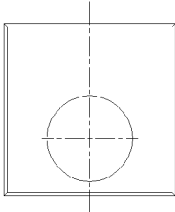
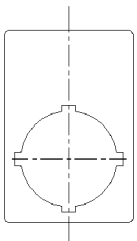


Custom Engraved Nameplate Order Form – A22N Series

Copy this form and utilize it to specify Custom Engraved Nameplates. Once completed:
 Mail the completed form to: Omron LLC, One Commerce Drive, Schaumburg, IL 60173-5302
 Or fax to either Omron LLC at: 847.843.8261 or your local field sales office.

Bill to:	Date: _____
Address: _____	Your Name: _____
City/State/Zip: _____	P.O.# _____
Attention: _____	Phone: _____
Ship to:	Fax: _____
Address: _____	
City/State/Zip: _____	
Attention: _____	Phone: _____

- Step 1) Select blank legend plate from the four depicted below (either A, B, C, or D).
 Step 2) Write your choice in the small box under Legend Type and fill in the box marked Quantity.
 Step 3) Print text as it should appear on the finished nameplate.

Plastic Shield Shape	Plastic Rectangular	Plastic Square	Metal Rectangular
A  A22N-PX200E	B  A22N-PR200E	C  A22N-PS200E	D  A22N-MR200E

11 Characters per Line Maximum, 2 Lines Maximum,

Legend Type Quantity <input type="checkbox"/> <input type="checkbox"/> ----- <input type="checkbox"/> <input type="checkbox"/> -----	Legend Type Quantity <input type="checkbox"/> <input type="checkbox"/> ----- <input type="checkbox"/> <input type="checkbox"/> -----
Legend Type Quantity <input type="checkbox"/> <input type="checkbox"/> ----- <input type="checkbox"/> <input type="checkbox"/> -----	Legend Type Quantity <input type="checkbox"/> <input type="checkbox"/> ----- <input type="checkbox"/> <input type="checkbox"/> -----
Legend Type Quantity <input type="checkbox"/> <input type="checkbox"/> ----- <input type="checkbox"/> <input type="checkbox"/> -----	Legend Type Quantity <input type="checkbox"/> <input type="checkbox"/> ----- <input type="checkbox"/> <input type="checkbox"/> -----

Legend Type Quantity <input type="checkbox"/> <input type="checkbox"/> ----- <input type="checkbox"/> <input type="checkbox"/> -----	Legend Type Quantity <input type="checkbox"/> <input type="checkbox"/> ----- <input type="checkbox"/> <input type="checkbox"/> -----
Legend Type Quantity <input type="checkbox"/> <input type="checkbox"/> ----- <input type="checkbox"/> <input type="checkbox"/> -----	Legend Type Quantity <input type="checkbox"/> <input type="checkbox"/> ----- <input type="checkbox"/> <input type="checkbox"/> -----
Legend Type Quantity <input type="checkbox"/> <input type="checkbox"/> ----- <input type="checkbox"/> <input type="checkbox"/> -----	Legend Type Quantity <input type="checkbox"/> <input type="checkbox"/> ----- <input type="checkbox"/> <input type="checkbox"/> -----
Legend Type Quantity <input type="checkbox"/> <input type="checkbox"/> ----- <input type="checkbox"/> <input type="checkbox"/> -----	Legend Type Quantity <input type="checkbox"/> <input type="checkbox"/> ----- <input type="checkbox"/> <input type="checkbox"/> -----
Legend Type Quantity <input type="checkbox"/> <input type="checkbox"/> ----- <input type="checkbox"/> <input type="checkbox"/> -----	Legend Type Quantity <input type="checkbox"/> <input type="checkbox"/> ----- <input type="checkbox"/> <input type="checkbox"/> -----
Legend Type Quantity <input type="checkbox"/> <input type="checkbox"/> ----- <input type="checkbox"/> <input type="checkbox"/> -----	Legend Type Quantity <input type="checkbox"/> <input type="checkbox"/> ----- <input type="checkbox"/> <input type="checkbox"/> -----
Legend Type Quantity <input type="checkbox"/> <input type="checkbox"/> ----- <input type="checkbox"/> <input type="checkbox"/> -----	Legend Type Quantity <input type="checkbox"/> <input type="checkbox"/> ----- <input type="checkbox"/> <input type="checkbox"/> -----
Legend Type Quantity <input type="checkbox"/> <input type="checkbox"/> ----- <input type="checkbox"/> <input type="checkbox"/> -----	Legend Type Quantity <input type="checkbox"/> <input type="checkbox"/> ----- <input type="checkbox"/> <input type="checkbox"/> -----

YourSignature _____ Date _____

Complete "Terms and Conditions of Sale" for product purchase and use are on Omron's website at www.omron247.com - under the "About Us" tab, in the Legal Matters section.

ALL DIMENSIONS SHOWN ARE IN MILLIMETERS.
To convert millimeters into inches, multiply by 0.03937. To convert grams into ounces, multiply by 0.03527.

OMRON[®]

OMRON ELECTRONICS LLC

1 Commerce Drive
Schaumburg, IL 60173
Tel: 847.843.7900

For U.S. technical support or other inquiries: 800.556.6766

OMRON CANADA, INC.

885 Milner Avenue
Toronto, Ontario M1B 5V8
Tel: 416.286.6465

MEXICO SALES OFFICES

Mexico, D.F. 555.660.3144
Ciudad Juárez 656.623.7083
Monterrey, N.L. 818.377.4281
Querétaro 442.135.4510

BRAZIL SALES OFFICE

Sao Paulo 55.11.2101.6310

ARGENTINA SALES OFFICE

Cono Sur 54.114.787.1129

CHILE SALES OFFICE

Santiago 562.206.4592

OTHER LATIN AMERICAN SALES

mela@omron.com

OMRON ON-LINE

Global -
www.omron247.com

USA -
www.omron247.com

Canada -
www.omron.ca

Brazil -
www.omron.com.br

Latin America -
mela@omron.com