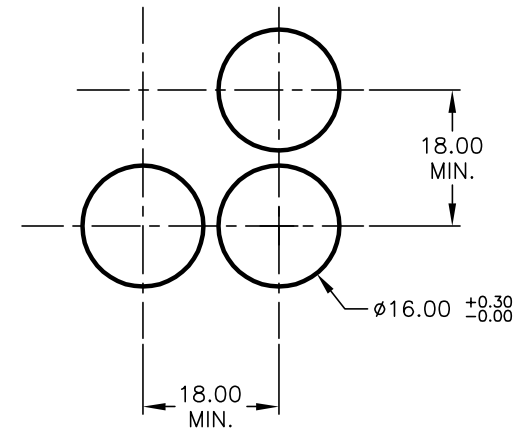


SPST
CONTACT CONFIGURATION

PARTS LIST			
ITEM	QTY.	PART NO.	PART DESCRIPTION
1	1	F040006	D16 EE R1 1
2	1	F050404	50-004-04 (Incandescent bulb)
3	1	F050104	50-001-04 (Transparent Red lens)



RECOMMENDED PANEL MOUNTING

SCALE 1:1

NOTES:

- ALL DIMENSIONS IN MM
- GENERAL TOLERANCE: X.X= ± 0.4
X.XX= ± 0.25
- RATINGS: 5A @250V AC
8A @125V AC
- LAMP VOLTAGE: 14V AC/DC 80ma
- CONTACT MATERIAL:
COPPER ALLOY W/Silver Plating

E-SWITCH®

TITLE					D16EER11BRED				
SCALE	DATE	DR	DWG	REV	SCALE	DATE	DR	DWG	REV
1.5:1	2/16/04	AR	XF0323P	A					

A	13776	RELEASE FOR PRODUCTION	2/16/04	AR
REV.	ECN No.	DESCRIPTION	DATE	CHKD

THE INFORMATION CONTAINED IN THIS DOCUMENT IS PROPRIETARY TO E-SWITCH AND IS NOT TO BE COPIED OR TRANSFERRED