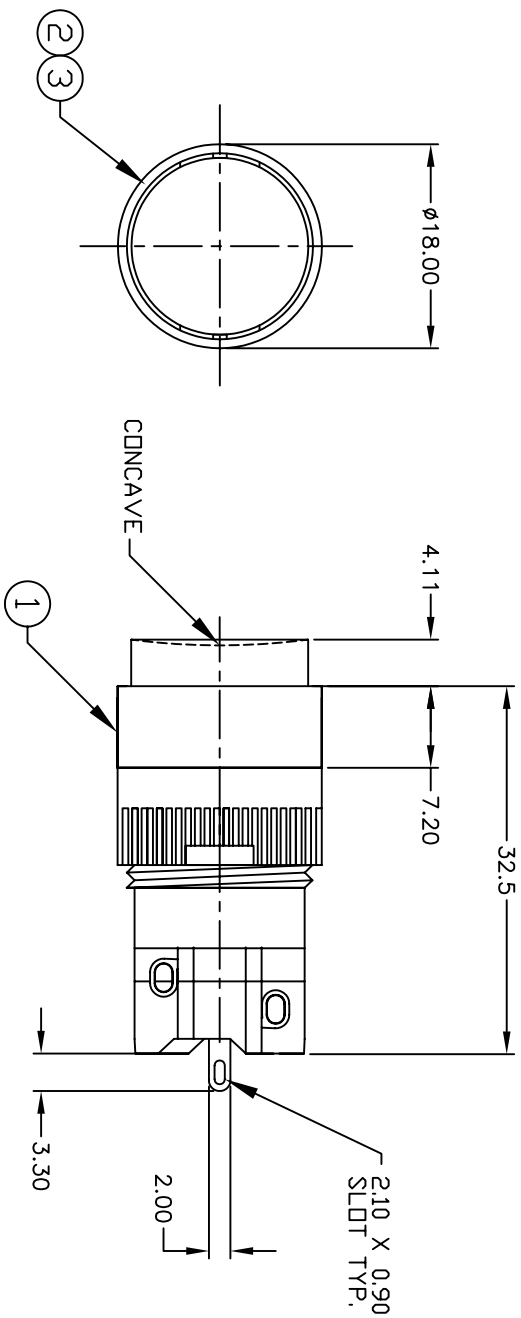


PARTS LIST			
ITEM	QTY.	PART NO.	PART DESCRIPTION
1	1	F040006	D16 EE R1 1
2	1	F050417	50-004-17
3	1	F050104	50-001-04 (TRANSPARENT RED LENS)



1.0Lo2
3.0 o 4
a-L-b (+)

SPST
CONTACT CONFIGURATION

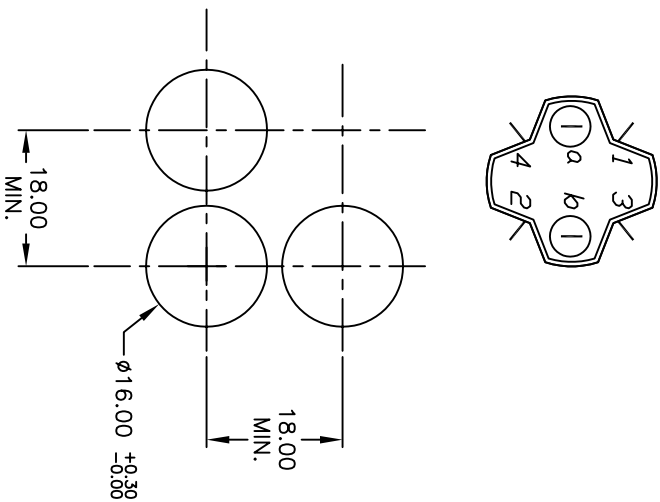
NOTES:

1. ALL DIMENSIONS IN MM
2. GENERAL TOLERANCE: X.X=±0.4
X.XX=±0.25
3. RATINGS: 5A @250V AC
8A @125V AC
UL, VDE, CSA, Semko, Nemko, Demko, Fimko Approved
4. LAMP VOLTAGE: 6V DC RED L.E.D.
5. CONTACT MATERIAL:
COPPER ALLOY w/Silver Plating

C	15302	REVISED NOTE 4	9/20/05	PH
B	13368	PART # FOR GAP	8/14/03	AR
A	13323	RELEASED FOR PRODUCTION	7/28/03	AR
REV.	ECN No.	DESCRIPTION	DATE	CHKD

E-SWITCH®				
D16EER11HREDRED				
SCALE	1.5:1	DATE	7/28/03	DR
				AR
				DWG
				XF0561P
REV				C

RECOMMENDED PANEL MOUNTING
SCALE 1:1



THE INFORMATION CONTAINED IN THIS DOCUMENT IS PROPRIETARY TO E-SWITCH AND IS NOT TO BE COPIED OR TRANSFERRED