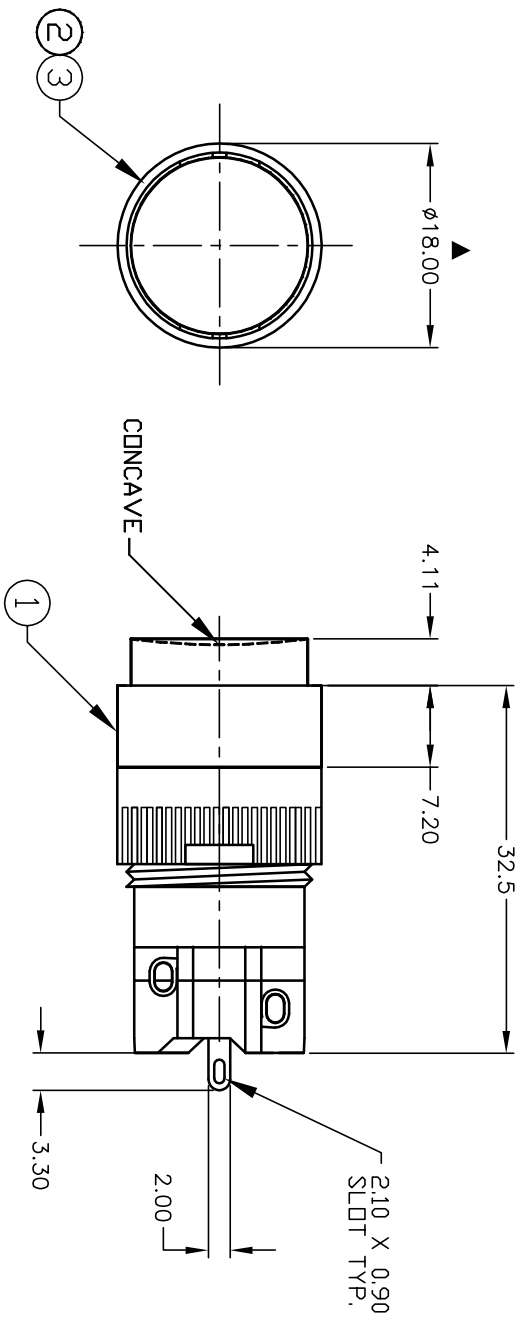


PARTS LIST			
ITEM	QTY.	PART NO.	PART DESCRIPTION
1	1	F040006	D16 EE R1 1
2	1	F050420	50-004-20
3	1	F052104	50-001-04 (TRANSPARENT RED LENS)

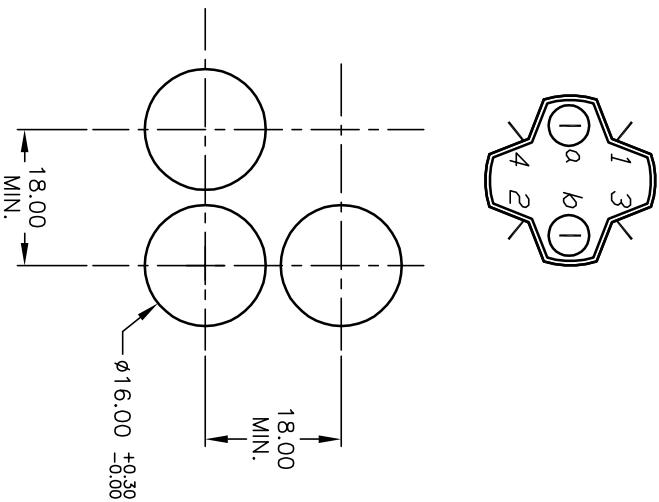


1.0 ± 0.2
3.0 ± 0.4
a-L-b (+)

SPST
CONTACT CONFIGURATION

NOTES:

1. ALL DIMENSIONS IN MM
2. GENERAL TOLERANCE: X.X=±0.4
X.XX=±0.25
3. RATINGS: 5A @250V AC
8A @125V AC
UL, VDE, CSA, Semko, Nemko, Demko, Fimko Approved
4. LAMP VOLTAGE: 12V DC RED L.E.D.
5. CONTACT MATERIAL:
COPPER ALLOY W/SILVER PLATING
6. ▲ DENOTES CRITICAL PARAMETER.



E-SWITCH®

REV.	ECN No.	DESCRIPTION	DATE	CHKD	AR
A	13338	RELEASED FOR PRODUCTION	8/1/03		AR

TITLE	SCALE	DATE	DR	DWG	REV
D16EER11JREDRED	1.5:1	8/1/03	AR	XF0562A	A

THE INFORMATION CONTAINED IN THIS DOCUMENT IS PROPRIETARY TO E-SWITCH AND IS NOT TO BE COPIED OR TRANSFERRED