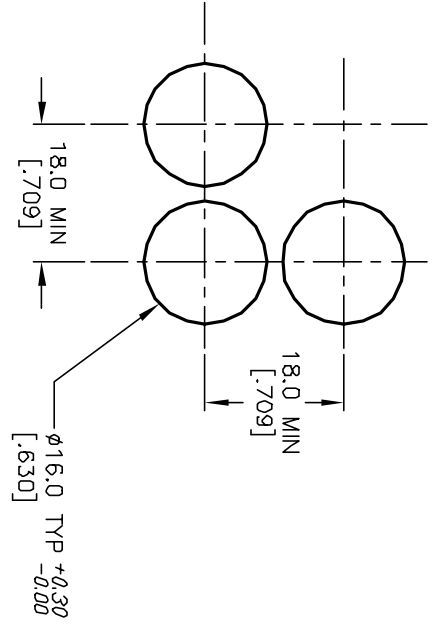
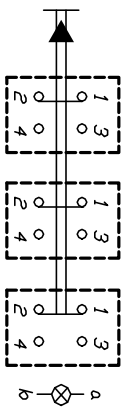


▲ PARTS LIST

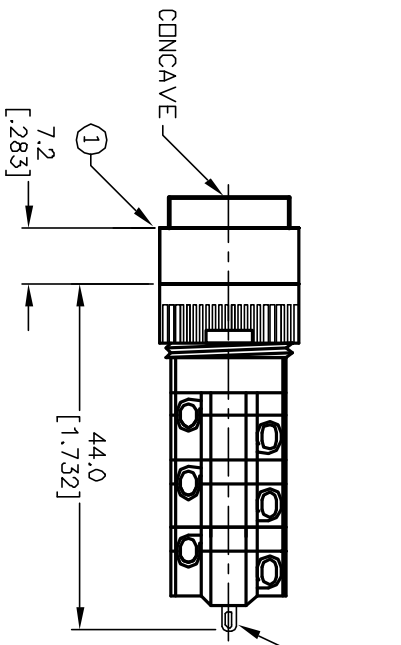
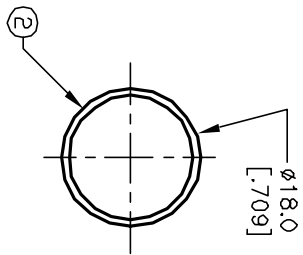
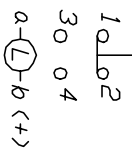
ITEM	QTY.	PART NO.	PART DESCRIPTION
1	1	F040017	D16 EE R13
2	1	F050104	50-001-04 (RED LENS TRANSPARENT)
3	1	F050412	50-004-12 (RED NEON BLUB)



RECOMMEND PANEL MOUNTING



CIRCUIT: 3PST  
CONTACT CONFIGURATION



2.10 X 0.90  
[.083 X .035]  
SEE NOTE 7



NOTES:

1. ALL DIMENSIONS IN MM [INCH]
2. GENERAL TOLERANCE: X.X=±0.4  
X.XX=±0.25
3. TERM. NOS. FOR REFERENCE ONLY.
4. RATING: 5A@250V AC / 8A@125V AC
5. MECHANICAL LIFETIME: >2 MILLION OPERATIONS
6. TRAVEL: 3.0MM
7. CONTACT MATERIAL: COPPER ALLOY W/SILVER PLATING
8. LAMP VOLTAGE: 110VAC NEON BULB.
9. ▲ DENOTES CRITICAL PARAMETER

REV.	ECN No.	DESCRIPTION	DATE	CHKD
A	12807	RELEASED FOR PRODUCTION	2/17/03	RC

TITLE	SCALE	DATE	DR	DWG	REV
D16 EE R13 F RED RED	1.5:1	2/12/03	RC	XF0157A	A



THE INFORMATION CONTAINED IN THIS DOCUMENT IS PROPRIETARY TO E-SWITCH AND IS NOT TO BE COPIED OR TRANSFERRED