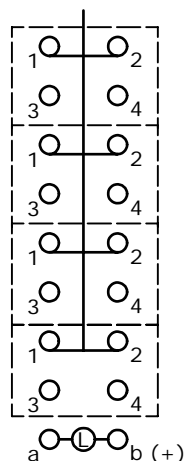
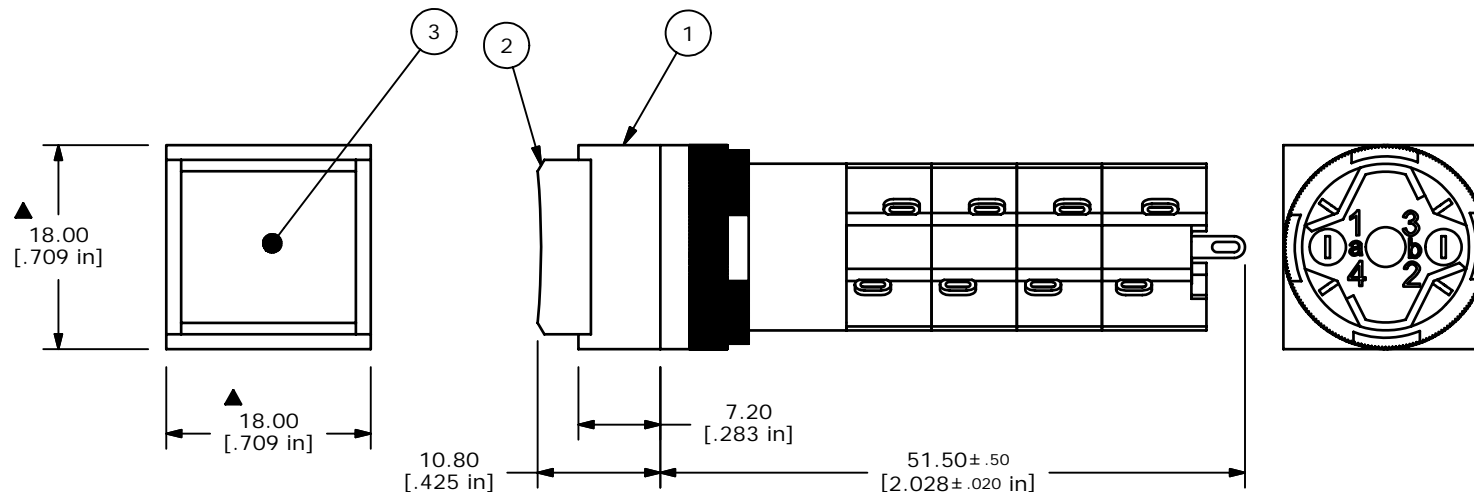


PARTS LIST				
ITEM	QTY	PART NUMBER	DESCRIPTION	
1	1	F040046	D16EES14	
2	1	F050302	50-003-02 LENS, SQUARE, CONCAVE, GREEN	
3	1	F050404	50-004-04 LAMP, INCANDESCENT, 14V AC/DC, 80mA	



4PDT CONTACT CONFIGURATION



NOTE:

1. ALL DIMENSIONS IN MM [INCH].
2. GENERAL TOLERANCE: X.X=±0.4
X.XX=±0.25
3. TERMINAL NUMBERS FOR REF ONLY.
4. RATING: 5A @ 250VAC
6A @ 24VDC
5. ELECTRICAL LIFE: 50,000 OPERATIONS
6. INSULATION RESISTANCE: 1,000 MEGA-OHM MIN.
7. OPERATING TEMP.: -25°C to +55°C
- ▲ 8. LAMP VOLTAGE: 14V AC/DC INCANDESCENT
9. ▲ DENOTES CRITICAL PARAMETER.



A	15944	RELEASED FOR PRODUCTION	4/12/06	BK
REV	PCR NO	DESCRIPTION	DATE	BY

TITLE D16EES14BGRN				
SCALE	DATE	DR	DWG	REV
1.5:1	04/12/06	BK	XF0674P	A

THE INFORMATION CONTAINED IN THIS DOCUMENT IS PROPRIETARY TO E-SWITCH AND IS NOT TO BE COPIED OR TRANSFERRED