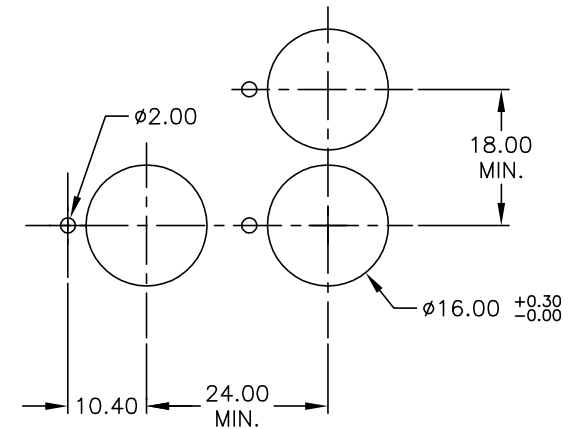
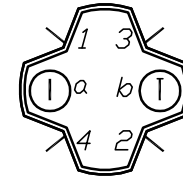
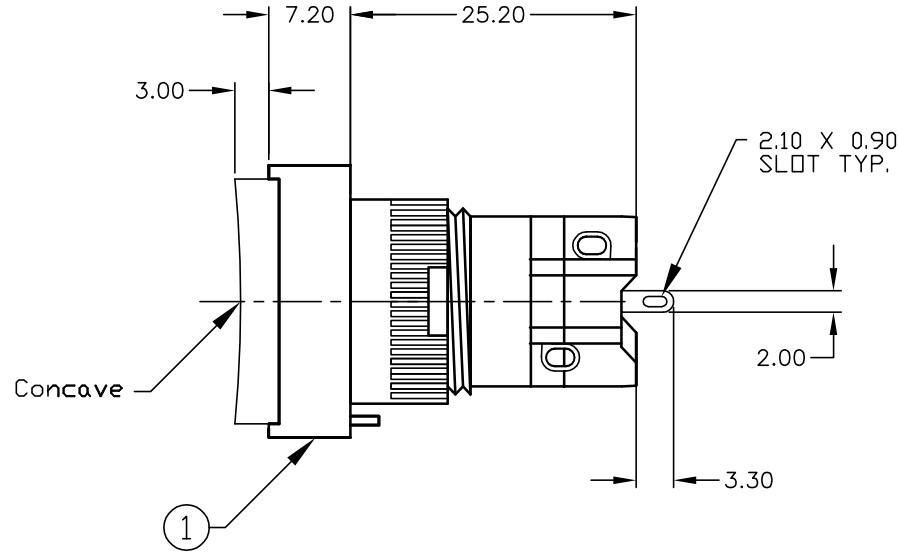
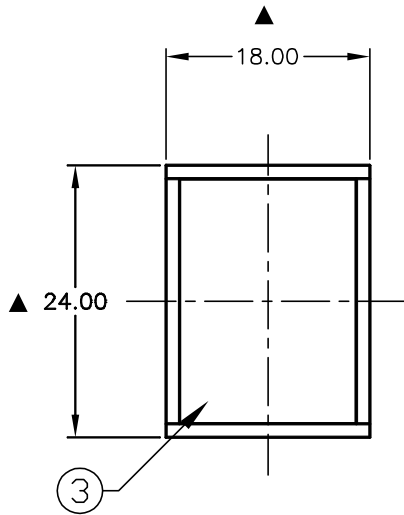


PARTS LIST

ITEM	QTY.	PART NO.	PART DESCRIPTION
1	1	F040004	D16 EE T1 1
2	1	F050404	50-004-04 (Incandescent Bulb)
3	1	F052204	50-002-04 (Opaque RED lens)



1 0 | 0 2  
 3 0 | 0 4  
 a-(L)-b(+)

SPST  
 CONTACT CONFIGURATION

RECOMMENDED PANEL MOUNTING

SCALE 1:1

NOTES:

1. ALL DIMENSIONS IN MM
2. GENERAL TOLERANCE: X.X=±0.4  
X.XX=±0.25
3. RATINGS: 5A @250V AC  
8A @125V AC
4. TRAVEL: 3.0mm
5. CONTACT MATERIAL:  
COPPER ALLOY W/Silver Plating
- ▲ 6. LAMP VOLTAGE: 14V AC/DC 80mA
7. ▲ DENOTES CRITICAL PARAMETER.

**E-SWITCH®**

TITLE					D16EET11BRED				
SCALE	1.5:1	DATE	2/3/04	DR	AR	DWG	XF0581P	REV	A

THE INFORMATION CONTAINED IN THIS DOCUMENT IS PROPRIETARY TO E-SWITCH AND IS NOT TO BE COPIED OR TRANSFERRED

A	13747	RELEASED FOR PRODUCTION	2/3/04	AR
REV.	ECN No.	DESCRIPTION	DATE	CHKD